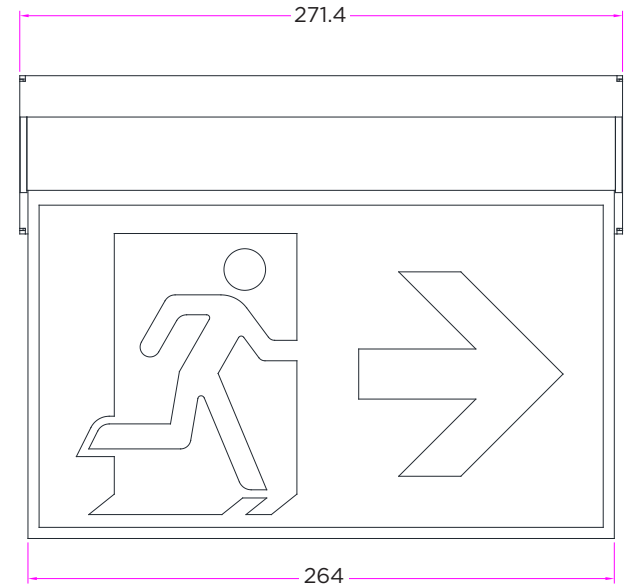
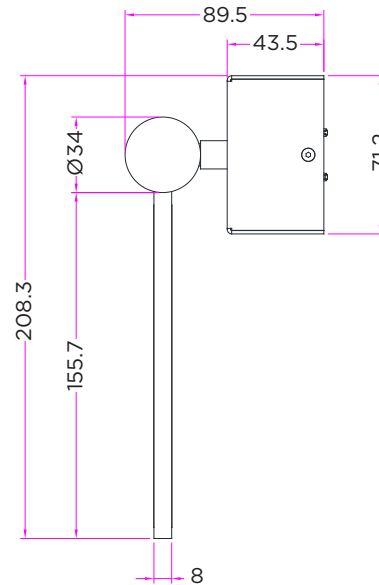


OLTON SURFACE WALL

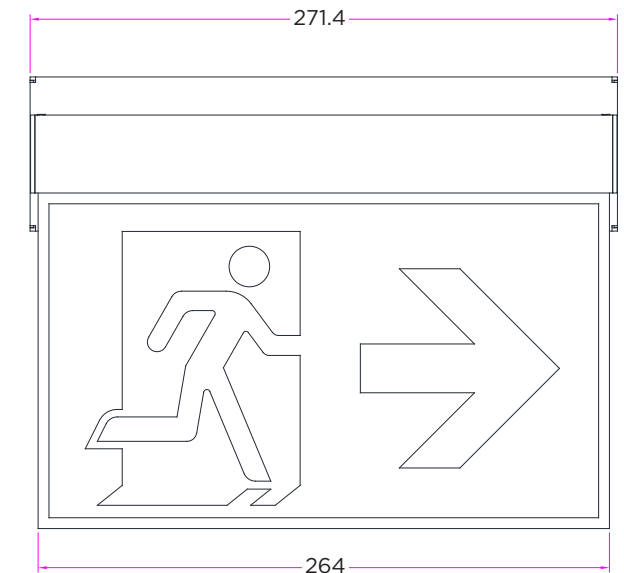
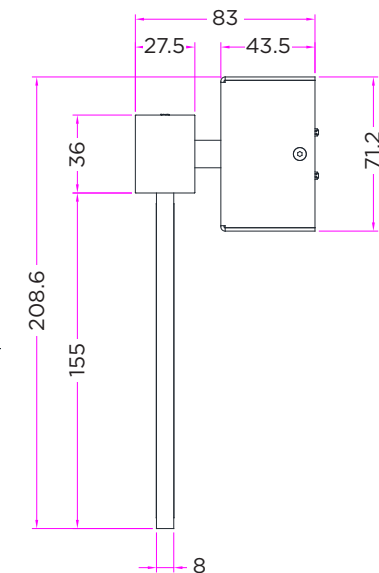


- EN 60598-1
- EN60598-2-22
- EN55015
- EN61547
- EN61000-3-2

CYLINDER



SQUARE



OLTON SURFACE CEILING



IP20 WARRANTY

26m 1.5

230v DALI

NM/MM

1W



EN 60598-1

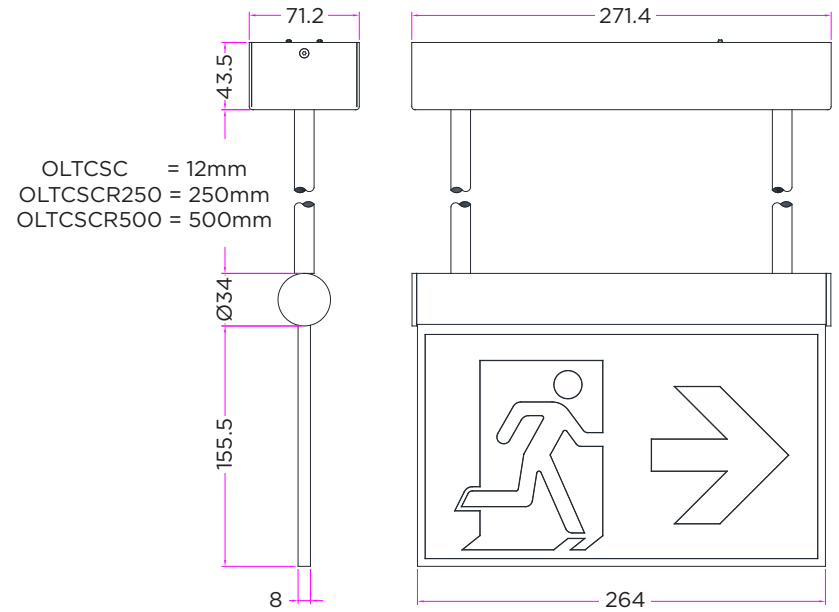
EN60598-2-22

EN55015

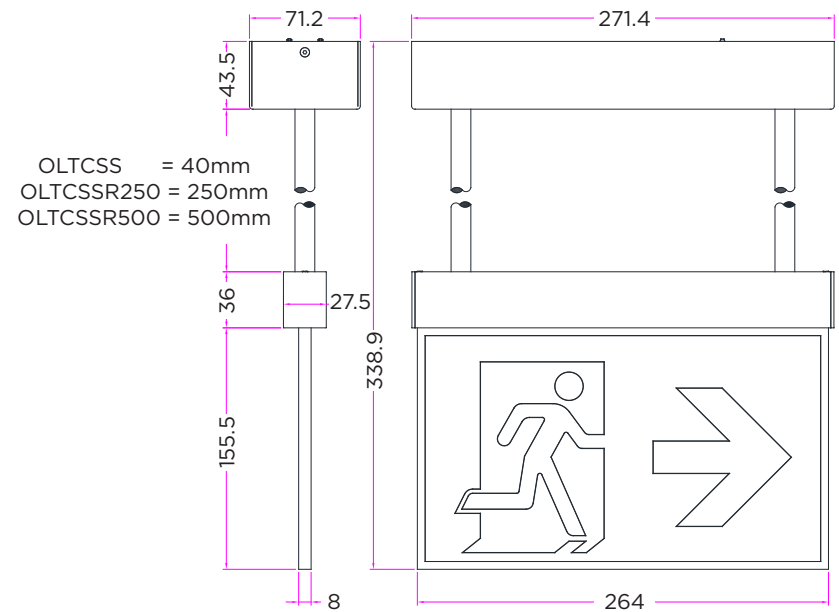
EN61547

EN61000-3-2

CYLINDER



SQUARE



OLTON SURFACE



- EN 60598-1
- EN60598-2-22
- EN55015
- EN61547
- EN61000-3-2

EXAMPLE PRODUCT CODE		OLT	C	S	C	R	500	DL	W	IS	S	U
FAMILY	OLTON	OLT										
TYPE	CEILING	C										
	WALL	W										
MOUNT	SURFACE	S										
STYLE	CIRCULAR	C										
	SQUARE	S										
VERSION²	ROD SUSPENDED	R										
LENGTH²	250mm LENGTH	250										
	500mm LENGTH	500										
CONTROL	MAINS/CENTRAL BATTERY ¹	LA										
	DALI MAINS/CENTRAL BATTERY ¹	DA										
	MAINTAINED SELF-CONTAINED	LM										
	DALI MAINTAINED SELF CONTAINED	DL										
	SPECTO-XT MAINTAINED SELF CONTAINED	XT										
COLOUR	WHITE (RAL 9016)	W										
	BLACK (RAL9005)	K										
	GREY (RAL 9006)	G										
	PENNY BRONZE	V										
	POLISHED BRASS	B										
	POLISHED CHROME	C										
	ANTIQUE BRASS	E										
	SATIN CHROME	R										
LEGEND TYPE	ISO 7010	IS										
LEGEND SIDE	SINGLE SIDED	S										
	DOUBLE SIDED	D										
ARROW DIRECTION	UP	U										
	DOWN	D										
	LEFT	L										
	RIGHT	R										

Example Code OLTCSR500DLWISSU Olton | Ceiling | Surface | Circular | Rod Suspended | 500mm Length | DALI Maintained Self Contained | White (RAL 9016) | ISO 7010 | Single Sided | Up Arrow

For more information on colours, please go to the **Finishes Page**.

¹For input voltages please refer to our installation leaflets.

²For ceiling suspended fittings only. For any rod length over 500mm please contact the sales team.