

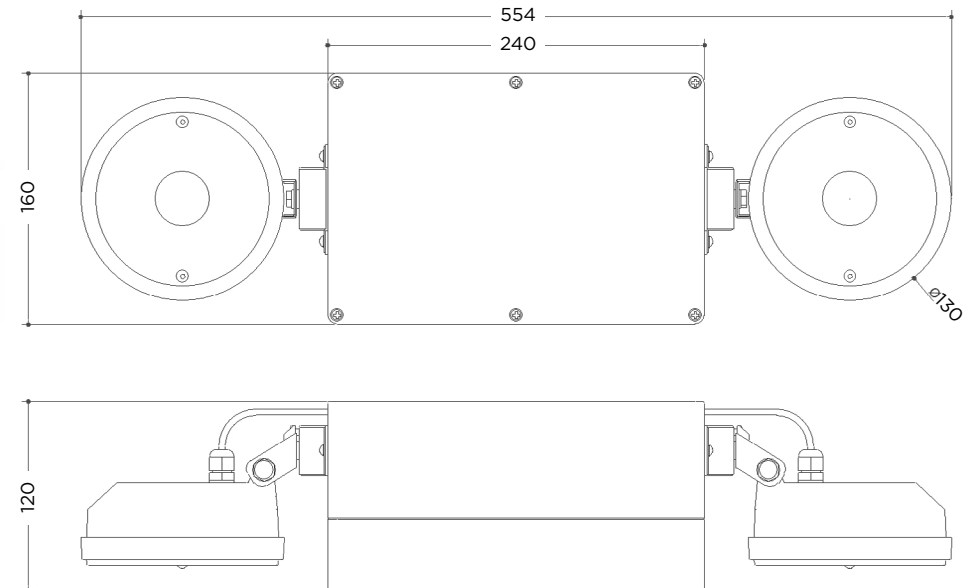
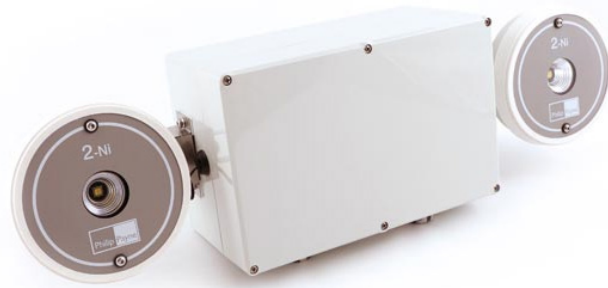
# 2-NI PRO IP



- IP65
- 9W
- 6  
WARRANTY
- KG  
4.0
- 230v
- DALI
- NM



- EN 60598-1
- EN60598-2-22
- EN55015
- EN61547
- EN61000-3-2



EXAMPLE PRODUCT CODE		AVTNP	299	LN	IP	G
<b>FAMILY</b>	2NI PRO	AVTNP				
<b>BEAM ANGLE</b>	29° (2 X 585 LUMENS)		299			
	63° (2 X 585 LUMENS)		639			
<b>CONTROL GEAR</b>	MAINS/CENTRAL BATTERY*	LA				
	MAINS/CENTRAL BATTERY DALI*	DA				
	NON MAINTAINED SELF-CONTAINED	LN				
	NON MAINTAINED AUTOTEST	YS				
	NON MAINTAINED DALI	DS				
	NON MAINTAINED SPECTO-XT	XT				
<b>IP RATING</b>	IP65	IP				
<b>COLOUR</b>	GREY (RAL 7035)	G				

Example Code AVTNP299LNIPG 2-Ni Pro | 29 Deg | 9 Watt | Non-Maintained | IP65 | Grey (RAL 7035) Finish

\*For input voltages please refer to our installation leaflets.

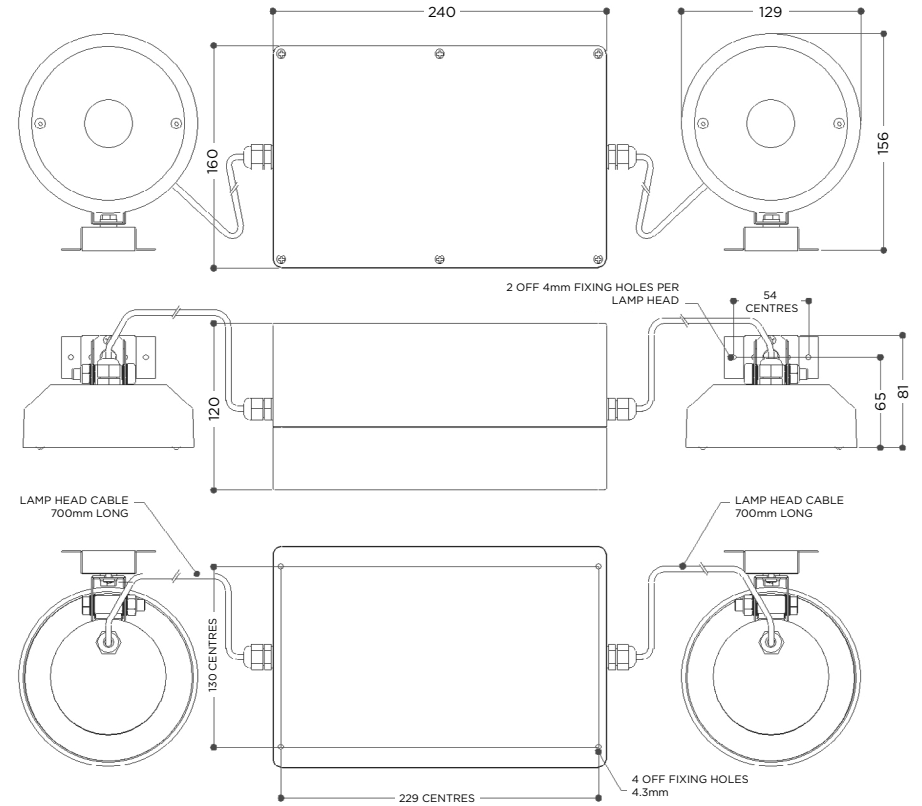
# 2-NI PRO IP REMOTE



- IP65
9W
- 6  
WARRANTY
KG  
4.0
- 230v
DALI
- NM



- EN 60598-1
- EN60598-2-22
- EN55015
- EN61547
- EN61000-3-2



EXAMPLE PRODUCT CODE		AVTRP	299	LN	IP	G
<b>FAMILY</b>	2NI PRO REMOTE	AVTRP				
<b>BEAM ANGLE</b>	29° (2 X 585 LUMENS)	299				
	63° (2 X 585 LUMENS)	639				
<b>CONTROL GEAR</b>	MAINS/CENTRAL BATTERY*	LA				
	MAINS/CENTRAL BATTERY DALI*	DA				
	NON MAINTAINED SELF-CONTAINED	LN				
	NON MAINTAINED AUTOTEST	YS				
	NON MAINTAINED DALI	DS				
	NON MAINTAINED SPECTO-XT	XT				
<b>IP RATING</b>	IP65	IP				
<b>COLOUR</b>	GREY (RAL 7035)	G				

Example Code AVTRP299LNIPG 2-Ni Pro Remote | 29 Deg | 9 Watt | Non-Maintained | IP65 | Grey (RAL 7035) Finish

\*For input voltages please refer to our installation leaflets.

# 2-NI PRO IP & 2-NI PRO IP REMOTE



- IP65**
- 9W**
- 6** WARRANTY
- 4.0** KG
- 230v**
- DALI**
- 
- NM**



- EN 60598-1
- EN60598-2-22
- EN55015
- EN61547
- EN61000-3-2

## AVT\*P299 30°

MOUNTING HEIGHT	0.5 LUX				1 LUX			
	2.0	4.3	13.4	4.6	2.5	6.0	13.5	3.4
2.5	5.1	16.0	5.2	2.7	6.7	15.4	4.0	1.6
3.0	5.9	18.0	5.8	3.0	7.2	17.1	4.5	2.0
3.5	6.7	19.4	6.4	3.4	7.7	18.4	5.0	2.4
4.0	7.5	21.0	6.8	3.8	8.0	19.5	5.9	2.8
4.5	8.1	23.0	7.6	3.9	8.3	20.3	6.7	3.2

All spacings based on a distance of 420mm LED to LED for remote version.  
All spacings based on a 30° angle measured from the body to the head.

1 lux calculations are based on a 2m wide escape route with a border of 0.5m excluded either side.

## AVT\*P639 30°

MOUNTING HEIGHT	0.5 LUX				1 LUX			
	2.0	4.9	13.6	5.2	2.7	6.2	13.8	4.0
2.5	5.5	16.4	6.0	3.0	7.0	15.9	4.6	2.0
3.0	6.1	18.6	6.6	3.4	7.6	17.9	5.3	2.3
3.5	6.7	20.4	7.2	3.7	8.2	19.3	6.0	2.5
4.0	7.5	22.2	8.0	4.0	8.6	20.5	6.6	2.9
4.5	8.3	23.6	8.6	4.3	9.0	21.5	7.1	3.3

All spacings based on a distance of 420mm LED to LED for remote version.  
All spacings based on a 30° angle measured from the body to the head.

1 lux calculations are based on a 2m wide escape route with a border of 0.5m excluded either side.

# 2-NI PRO IP & 2-NI PRO IP REMOTE

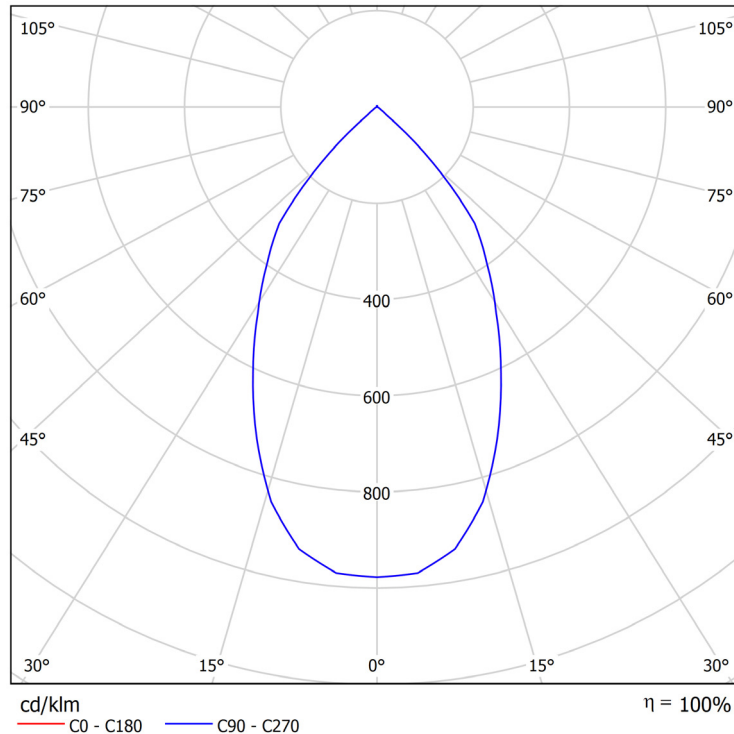


- IP65
- 9W
- 6 WARRANTY
- 4.0
- 230v
- DALI
- NM



- EN 60598-1
- EN60598-2-22
- EN55015
- EN61547
- EN61000-3-2

## AVT\*P639



## AVT\*P299

