

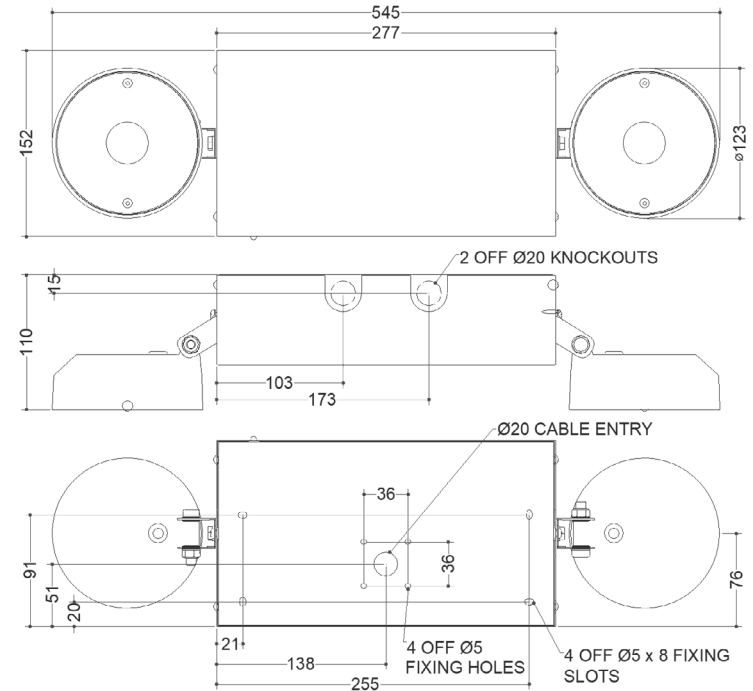
2-NI PRO



- IP20
- 9W
- 6 WARRANTY
- 3.7 KG
- 230v
- DALI
- NM



- EN 60598-1
- EN60598-2-22
- EN55015
- EN61547
- EN61000-3-2



EXAMPLE PRODUCT CODE	AVTNP	299	LN	W
FAMILY	2NI PRO	AVTNP		
BEAM ANGLE	29° (2 X 585 LUMENS)	299		
	63° (2 X 585 LUMENS)	639		
CONTROL GEAR	MAINS/CENTRAL BATTERY*	LA		
	MAINS/CENTRAL BATTERY DALI*	DA		
	NON MAINTAINED SELF-CONTAINED	LN		
	NON MAINTAINED AUTOTEST	YS		
	NON MAINTAINED DALI	DS		
	NON MAINTAINED SPECTO-XT	XT		
COLOUR	GREY	G		
	BLACK	K		
	PENNY BRONZE	V		
	WHITE	W		

Example Code AVTNP299LNW 2-Ni Pro | 29 Deg | 9 Watt | Non-Maintained | White Finish

For more information on colours, please go to the **Finishes Page**.

*For input voltages please refer to our installation leaflets.

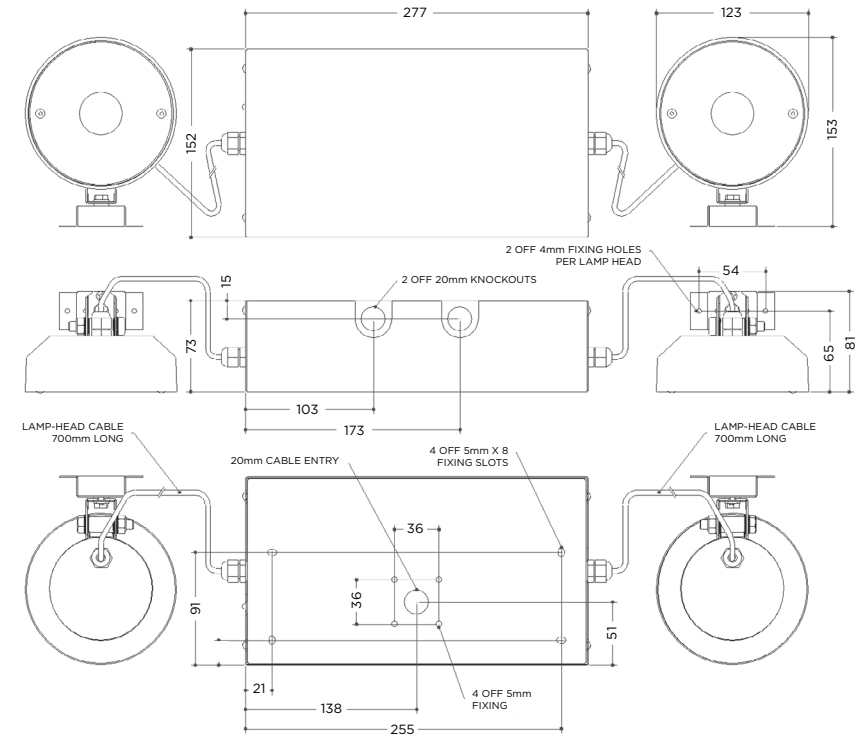
2-NI PRO REMOTE



- IP20
- 9W
- 6 WARRANTY
- 3.7 KG
- 230v
- DALI
- NM



- EN 60598-1
- EN60598-2-22
- EN55015
- EN61547
- EN61000-3-2



EXAMPLE PRODUCT CODE		AVTRP	299	LN	W
FAMILY	2NI PRO REMOTE	AVTRP			
BEAM ANGLE	29° (2 X 585 LUMENS)	299			
	63° (2 X 585 LUMENS)	639			
CONTROL GEAR	MAINS/CENTRAL BATTERY*	LA			
	MAINS/CENTRAL BATTERY DALI*	DA			
	NON MAINTAINED SELF-CONTAINED	LN			
	NON MAINTAINED AUTOTEST	YS			
	NON MAINTAINED DALI	DS			
	NON MAINTAINED SPECTO-XT	XT			
COLOUR	GREY	G			
	BLACK	K			
	PENNY BRONZE	V			
	WHITE	W			

Example Code AVTRP299LNW 2-Ni Pro Remote | 29 Deg | 9 Watt | Non-Maintained | White Finish

For more information on colours, please go to the **Finishes Page**.

*For input voltages please refer to our installation leaflets.

2-NI PRO & 2-NI PRO REMOTE



- IP20** **9W**
- 6** WARRANTY **KG** 3.7
- 230v** **DALI**
- NM**



- EN 60598-1
- EN60598-2-22
- EN55015
- EN61547
- EN61000-3-2

AVT*P299 30°

MOUNTING HEIGHT	0.5 LUX				1 LUX			
	2.0	4.3	13.4	4.6	2.5	6.0	13.5	3.4
2.5	5.1	16.0	5.2	2.7	6.7	15.4	4.0	1.6
3.0	5.9	18.0	5.8	3.0	7.2	17.1	4.5	2.0
3.5	6.7	19.4	6.4	3.4	7.7	18.4	5.0	2.4
4.0	7.5	21.0	6.8	3.8	8.0	19.5	5.9	2.8
4.5	8.1	23.0	7.6	3.9	8.3	20.3	6.7	3.2

All spacings based on a distance of 420mm LED to LED for remote version.
All spacings based on a 30° angle measured from the body to the head.

1 lux calculations are based on a 2m wide escape route with a border of 0.5m excluded either side.

AVT*P639 30°

MOUNTING HEIGHT	0.5 LUX				1 LUX			
	2.0	4.9	13.6	5.2	2.7	6.2	13.8	4.0
2.5	5.5	16.4	6.0	3.0	7.0	15.9	4.6	2.0
3.0	6.1	18.6	6.6	3.4	7.6	17.9	5.3	2.3
3.5	6.7	20.4	7.2	3.7	8.2	19.3	6.0	2.5
4.0	7.5	22.2	8.0	4.0	8.6	20.5	6.6	2.9
4.5	8.3	23.6	8.6	4.3	9.0	21.5	7.1	3.3

All spacings based on a distance of 420mm LED to LED for remote version.
All spacings based on a 30° angle measured from the body to the head.

1 lux calculations are based on a 2m wide escape route with a border of 0.5m excluded either side.

2-NI PRO & 2-NI PRO REMOTE

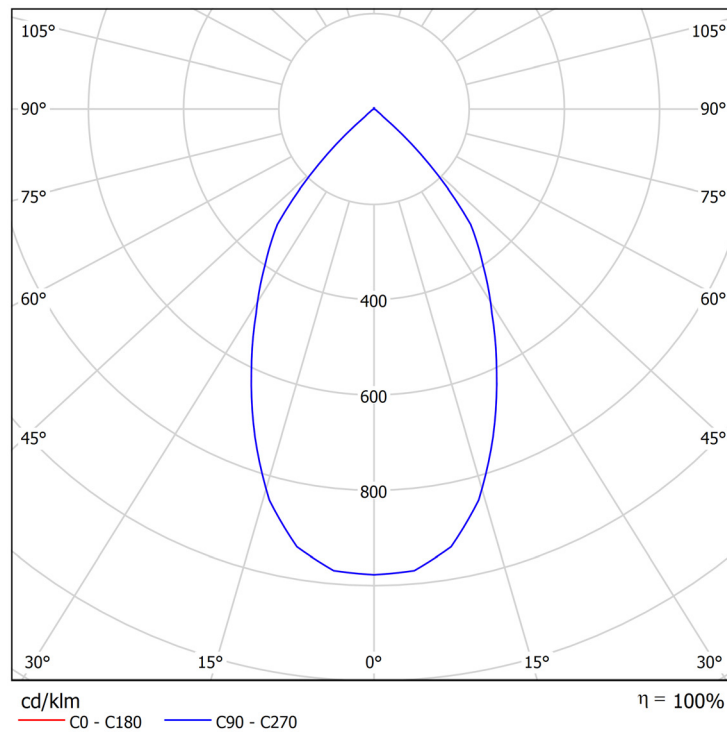


- IP20
- 9W
- 6 WARRANTY
- 3.7 KG
- 230v
- DALI
- NM



- EN 60598-1
- EN60598-2-22
- EN55015
- EN61547
- EN61000-3-2

AVT*P639



AVT*P299

