

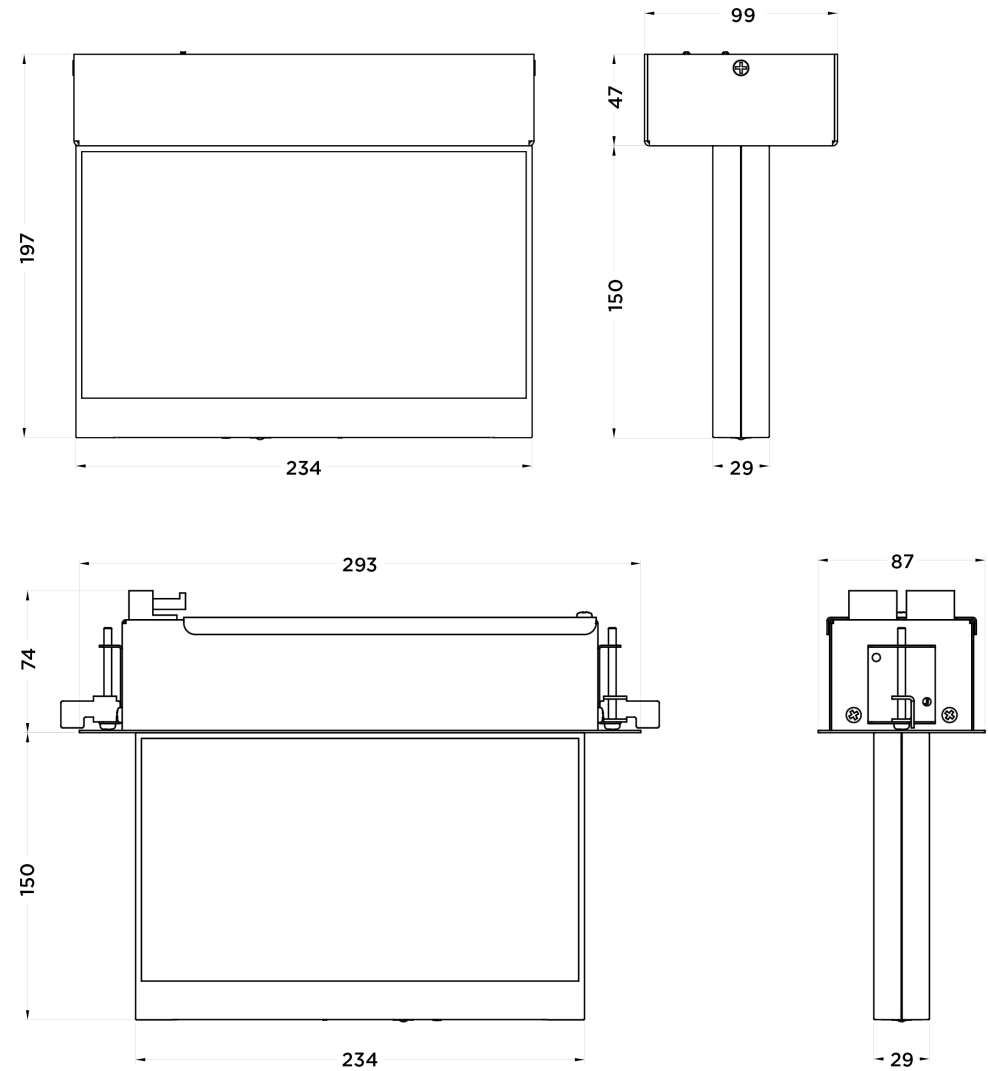
# ION CEILING



- IP20
- NM/MM
- 6 WARRANTY
- KG 1.5
- 230v
- DALI
- 1W



- EN 60598-1
- EN60598-2-22
- EN55015
- EN61547
- EN61000-3-2



# ION CEILING



- EN 60598-1
- EN60598-2-22
- EN55015
- EN61547
- EN61000-3-2

EXAMPLE PRODUCT CODE		ION	C	S	LM	W	IS	S	U
<b>FAMILY</b>	ION	ION							
<b>TYPE</b>	CEILING	C							
<b>MOUNT</b>	SURFACE	S							
	RECESSED	R							
<b>CONTROL</b>	MAINS/CENTRAL BATTERY*	LA							
	DALI MAINS/CENTRAL BATTERY*	DA							
	MAINTAINED SELF-CONTAINED	LM							
	MAINTAINED DALI	DL							
	MAINTAINED SPECTO-XT	XT							
<b>COLOUR</b>	WHITE (RAL 9016)	W							
	BLACK (RAL9005)	K							
	GREY (RAL 9006)	G							
<b>LEGEND TYPE</b>	ISO 7010	IS							
<b>LEGEND SIDE</b>	SINGLE SIDED	S							
	DOUBLE SIDED	D							
<b>ARROW DIRECTION</b>	UP	U							
	DOWN	D							
	LEFT	L							
	RIGHT	R							

Example Code IONCSLMWISSU ION | Ceiling | Surface | Maintained Self-Contained | White (RAL 9016) | ISO 7010 | Single Sided | Up Arrow

For more information on colours, please go to the **Finishes Page**.

\*For input voltages please refer to our installation leaflets.