

# RIGA



230v	DALI
3hrs	IP65
	6 WARRANTY
KG 3.6	4K

LED CHARACTERISTICS	
CRI	80+
COLOUR TEMPERATURE	4000K
RATED LIFE (HOURS)	100K - L70/B10
PROTECTION	-
DRIVER EFFICIENCY	>88%
REPLACEABLE	YES
POWER FACTOR	>0.95
<b>LL/CW</b>	<b>132.4</b>



EXAMPLE PRODUCT CODE		RIGA	XTR	3700
<b>PRODUCT</b>	RIGA	RIGA		
<b>CONTROL</b>	FIXED OUTPUT/ CENTRAL BATTERY	LA		
	DALI DIMMABLE OUTPUT/ CENTRAL BATTERY DALI	DA		
	3 HOUR MAINTAINED	LM		
	3 HOUR DALI MAINTAINED	DL		
	3 HOUR MAINTAINED WITH SPECTO-XT	XTR		
<b>LED</b>	23W, 3700 LUMENS (2.4KG)	3700		
	30W, 4900 LUMENS (2.6KG)	4900		
	46W, 6625 LUMENS (3.2KG)	6625		
	60W, 9535 LUMENS (3.6KG)	9535		

RIGAXTR3700

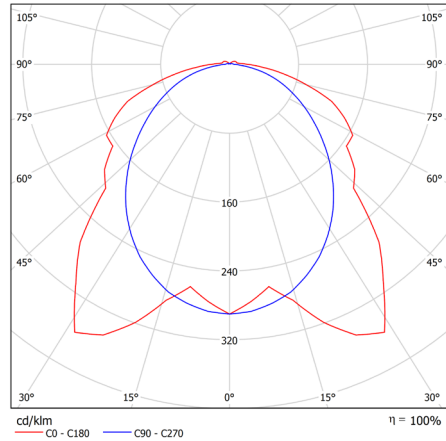
RIGA | 3 Hour Maintained With Specto-XT | 23W, 3700 LUMENS

# RIGA



- 230v**
- DALI**
- 3hrs**
- IP65**
- WARRANTY 6**
- 4K**
- 3.6 KG**

## WIDE

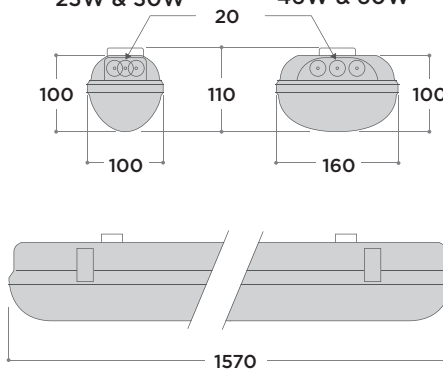


### LUMINAIRE LUMEN OUTPUT

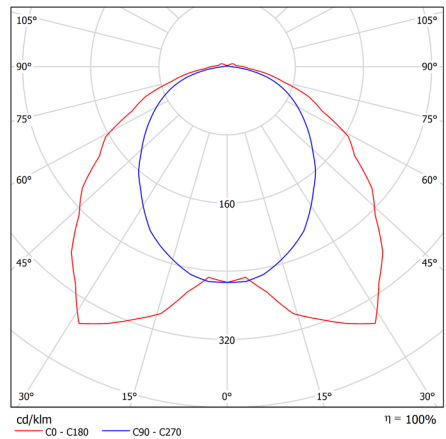
46W = 6625 lm  
60W = 9535 lm

## NARROW 23W & 30W

## WIDE 46W & 60W



## NARROW



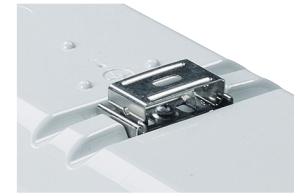
### LUMINAIRE LUMEN OUTPUT

23W = 3700 lm  
30W = 4900 lm

## AMBIENT OPERATING TEMPERATURES

LED	STANDARD/SPECTO-XT		EMERGENCY	
	MINIMUM	MAXIMUM	MINIMUM	MAXIMUM
23W / 30W	-20°C	40°C	0°C	25°C
46W / 60W	-20°C	40°C	0°C	25°C

For ambient temperatures below the stated minimum contact the Philip Payne Technical department



### DIRECT

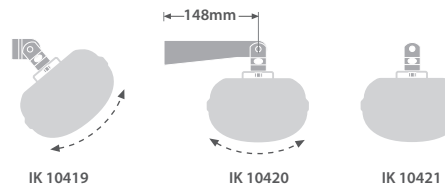
Pair of stainless steel brackets supplied. Provides clearance for thermal expansion and fixing.



### PENDANT

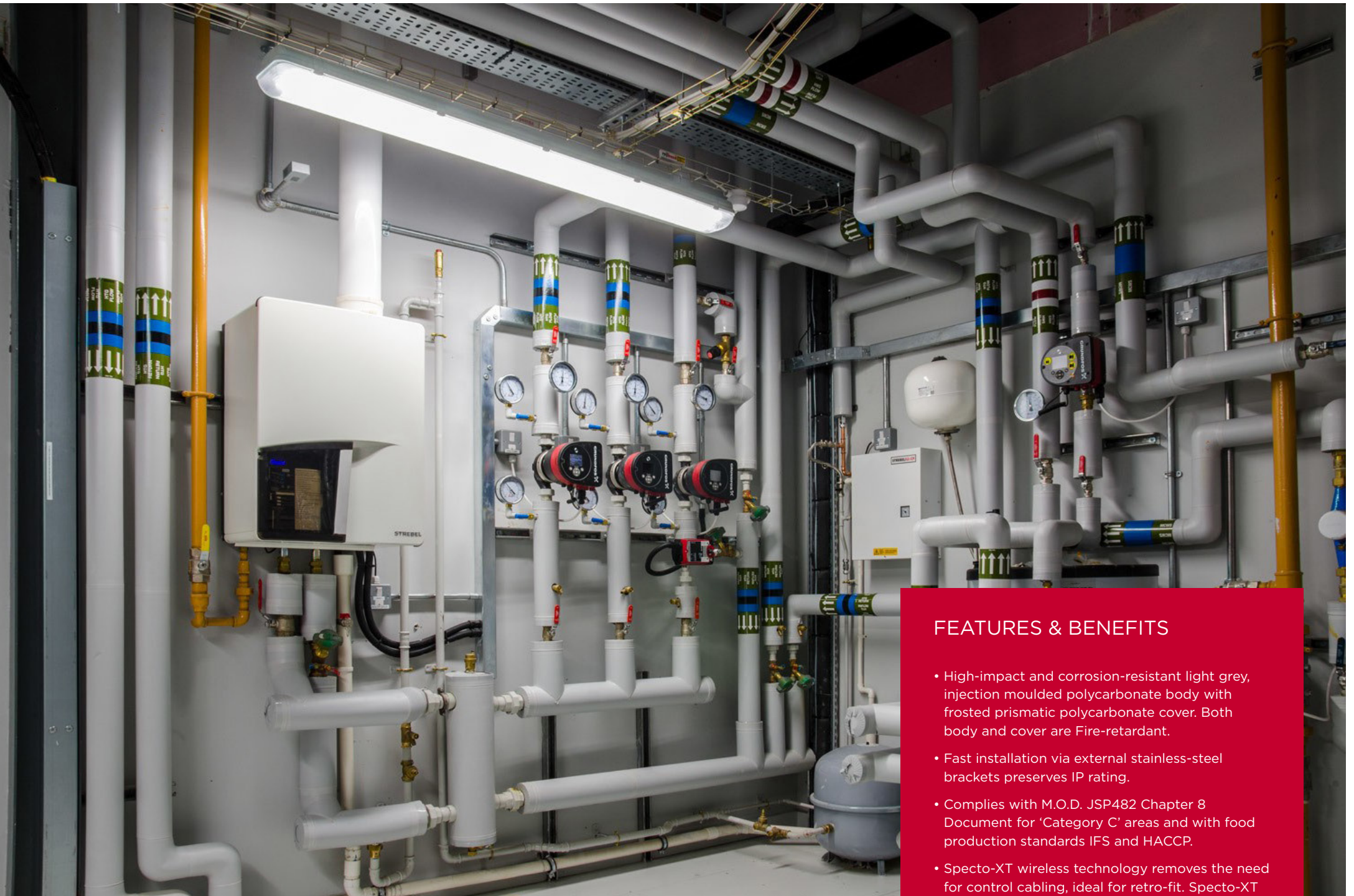
Pair of steel spring loops supplied

## ACCESSORIES



DESCRIPTION	CAT. No.	APPROX. kg
IP65 20mm weatherproof compression gland kit with sealing washers	IK 6389	0.02
Stainless steel adjustable bracket (Short) - two per pack	IK 10419	0.13
Stainless steel adjustable bracket (148mm long) - two per pack	IK 10420	0.24
Stainless steel adjustable hook - two per pack	IK 10421	0.05
Stainless steel cover clip - ten required per luminaire	TP 10541	





## FEATURES & BENEFITS

- High-impact and corrosion-resistant light grey, injection moulded polycarbonate body with frosted prismatic polycarbonate cover. Both body and cover are Fire-retardant.
- Fast installation via external stainless-steel brackets preserves IP rating.
- Complies with M.O.D. JSP482 Chapter 8 Document for 'Category C' areas and with food production standards IFS and HACCP.
- Specto-XT wireless technology removes the need for control cabling, ideal for retro-fit. Specto-XT versions for use up to 4 metres mounting height.