

FEATURES

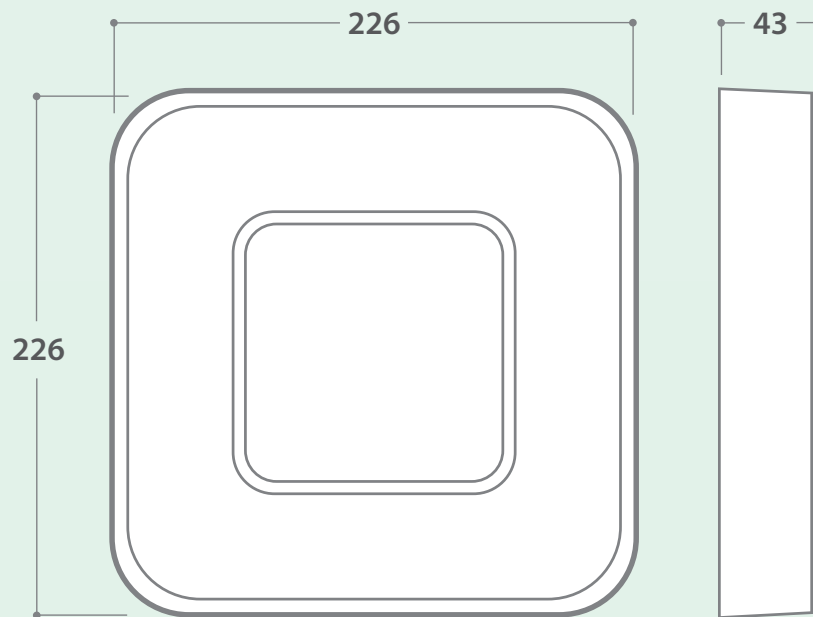
Model	Product Controls	Approx KG	Supply Voltage	Part No.
Specto XT Gateway Lite	Up To 50 Emergency Luminaires	1 Kg	110-240V AC 50/60Hz	SXT050

Specto XT Gateway Lite Is To Be Commissioned By Philip Payne.
Any Product With The Suffix Code XT Is Compatible With The Gateway Lite.
Visit Our Website For More Information www.philippayne.co.uk

IMPORTANT INFORMATION

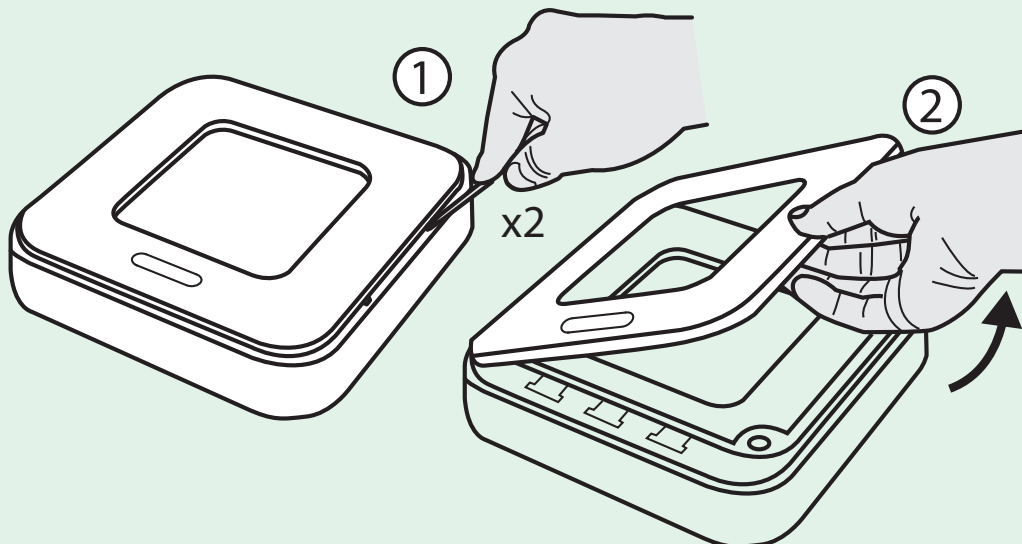
The Specto XT Gateway Lite uses 868/922MHz secure wireless mesh technology to communicate with SpectoXT luminaires and also connects to the internet via a GSM modem. Install the Gateway in a location that has good mobile phone signal coverage and is within 20m of the first installed luminaires. If the Gateway is to be installed into an electrical enclosure only use non-metallic types which will not attenuate wireless signals. If in doubt contact our Technical department

DIMENSIONS



INSTALLATION METHOD

1.

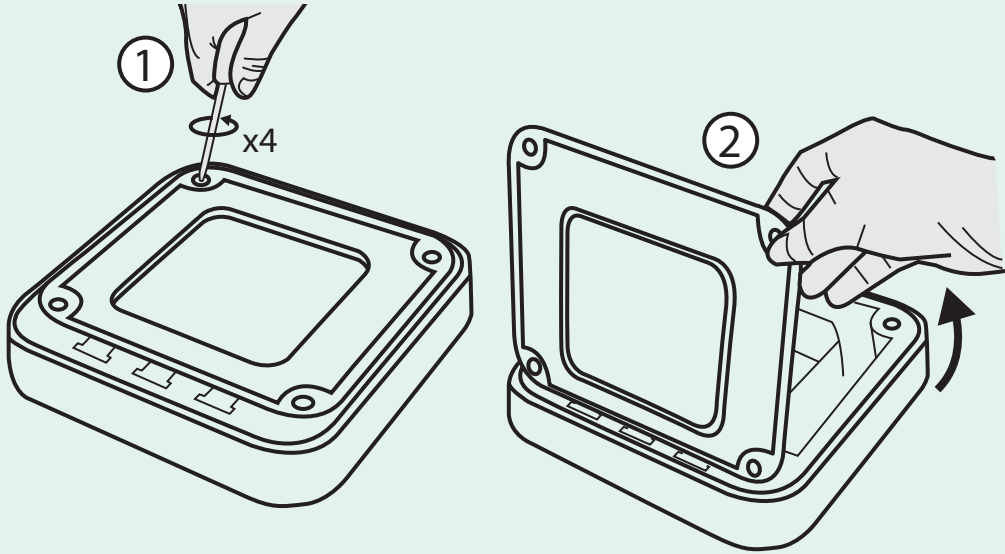


IMPORTANT-SAFETY

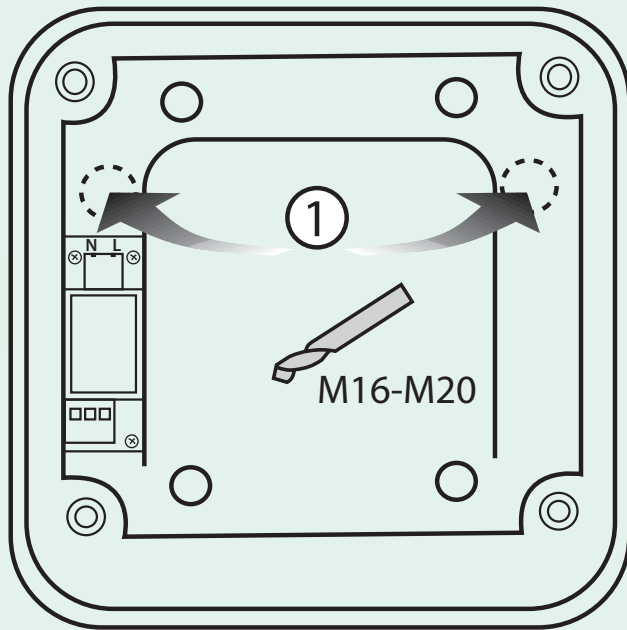
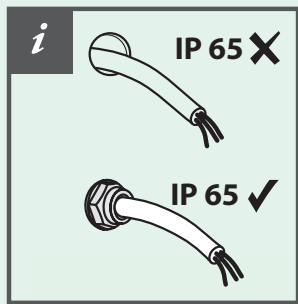
Before carrying out any servicing on this product, ensure that the mains supply is fully isolated. Disconnect luminaire before insulation testing of the installation.

INSTALLATION METHOD

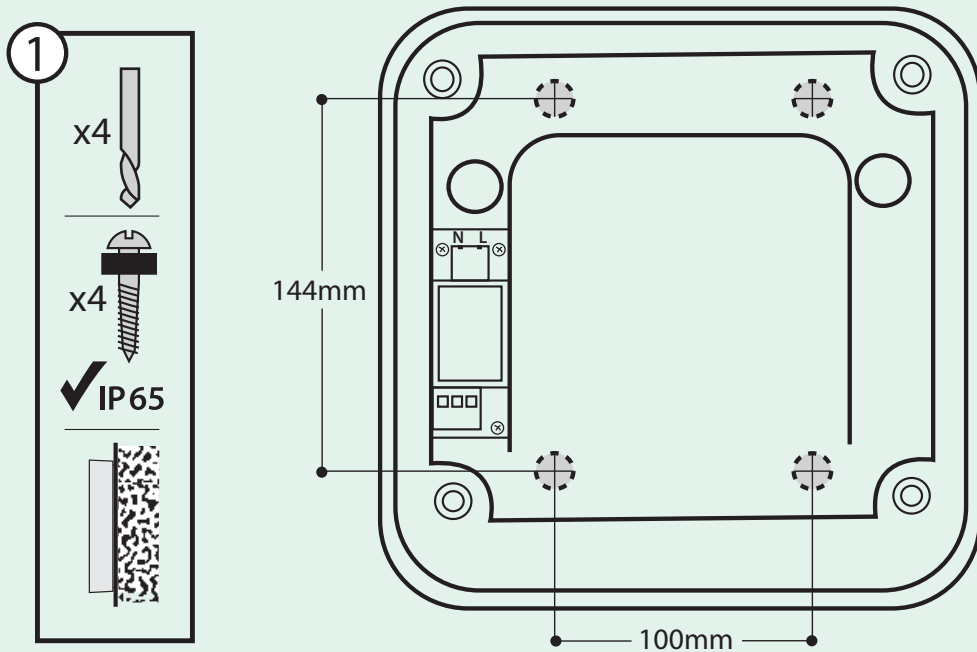
2.



3.



4.

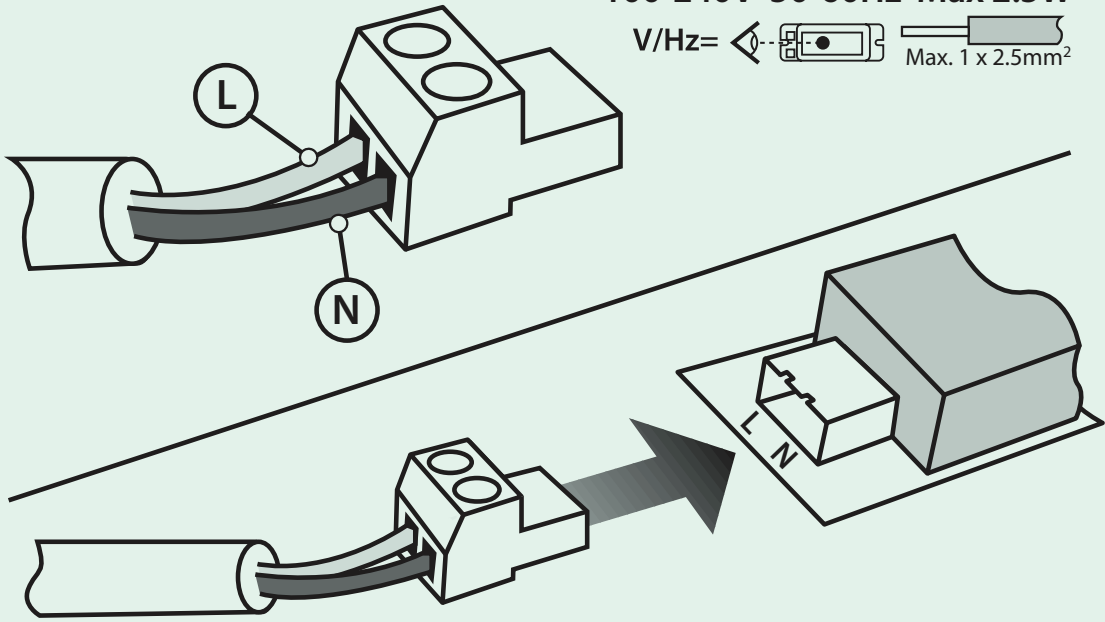


INSTALLATION METHOD

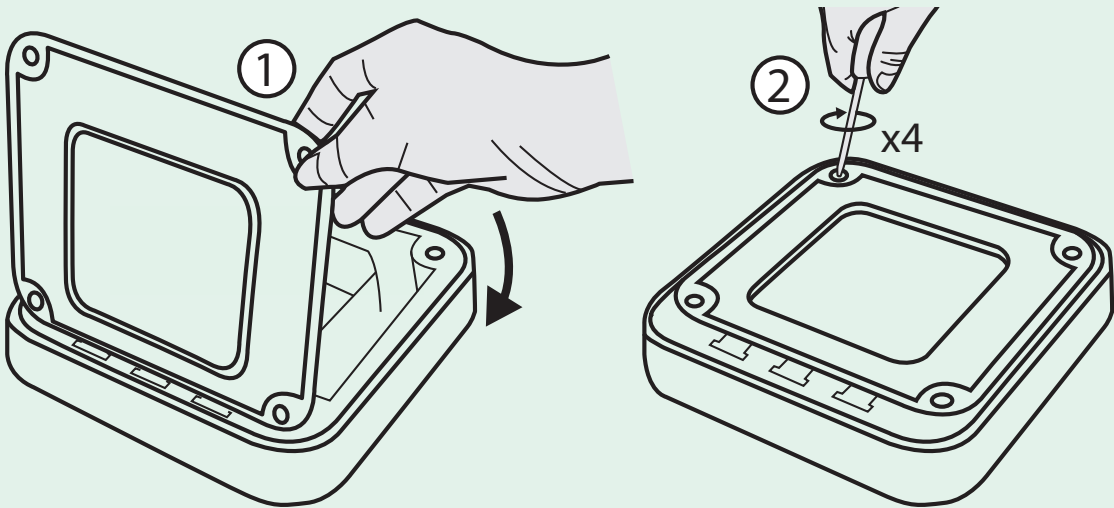
5.

100-240V 50-60Hz Max 2.5W

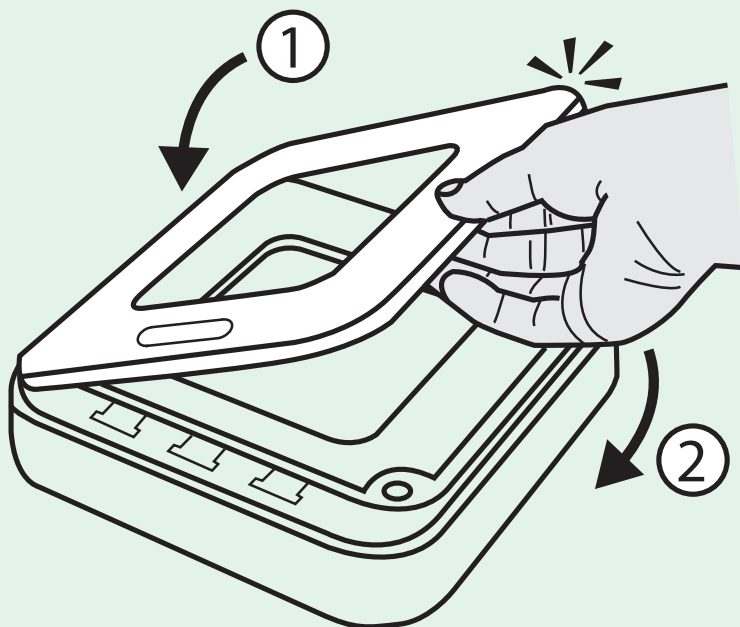
V/Hz= Max. 1 x 2.5mm²



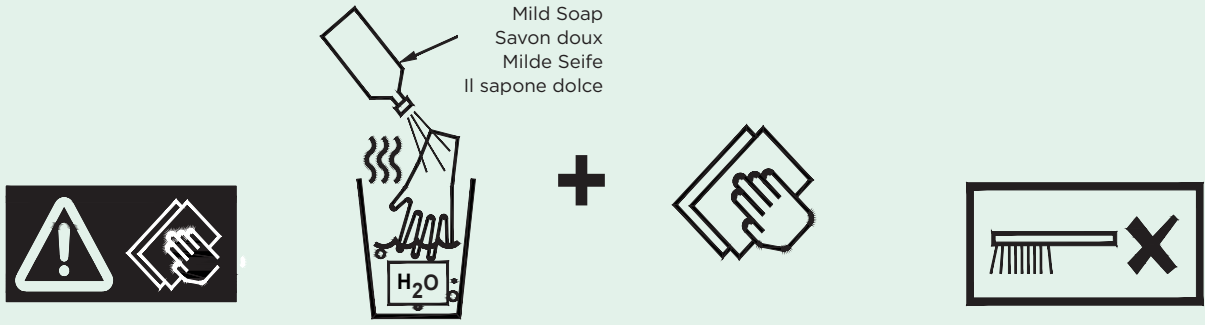
6.



7.



CLEANING INSTRUCTIONS



INFORMATION

Operation and Maintenance

Suitable for indoor use.

Ambient temperature 25°C.

Continual operation at mains voltages in excess of the rated voltage will reduce LED and expected gear life.

This product uses plastic components in its construction and when installed in environments containing chemicals, degradation may occur.

Operation outside intended / stated parameters may cause a hazard, and in an extreme case, for example water ingress to electronic circuits, may cause a fire.

Please contact our Technical Department for advice.

Modifications

Philip Payne products should not be modified.

Any modification may render the product unsafe and will invalidate any Safety/Approval marks.

Philip Payne will not accept any responsibility for any modified products or for any damage caused as a result of their modification.



Philip Payne Ltd, Thornhill House, Thornhill Road, Solihull, B91 2HB
+44 (0)121 705 2384 | mail@philippayne.co.uk | www.philippayne.co.uk

