

# TYKT 870

Emergency Downlighter Recessed Ceiling

Class 2


IP 20

IP 65\*

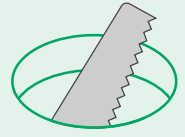
PHILIP PAYNE

## FEATURES

Model	Downlighter features	Supply voltage	Maximum luminaires on a Type B, 10A circuit breaker	Part No.
Non-Maintained	NM3	220-240V AC 50/60 Hz	90 Luminaires	TYKP870LN* TYKT870LN
Self Test	NM3 AutoTest	220-240V AC 50/60 Hz	90 Luminaires	TYKP870YS* TYKT870YS
DALI	NM3 DALI	220-240V AC 50/60 Hz	90 Luminaires	TYKP870DS* TYKT870DS
Central Supply		220-240V AC 50/60 Hz 176-264V DC	30 Luminaires	TYKP870LA* TYKT870LA
Central Supply DALI	DALI	220-240V AC 50/60 Hz 176 - 280V DC	30 Luminaires	TYKP870DA* TYKT870DA

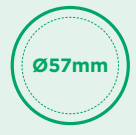
 **\*TYKP870 IP65 rated below ceiling only. Contactor must apply silicone sealant between bezels and underside of ceiling to achieve IP65 below ceiling. (All other TYKE variants are IP20 above and below ceiling).**

## CEILING CUT-OUTS



Ø45mm

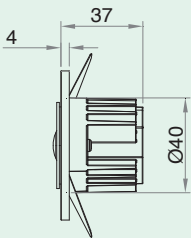
Without extended bezel (false ceiling only).



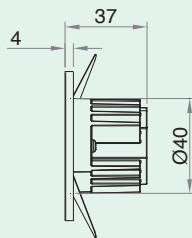
Ø57mm

With extender bezel - required for installation through lamp-head cut-out into plaster

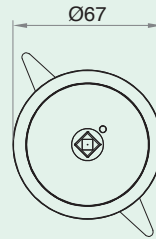
## LAMPHEAD DIMENSIONS



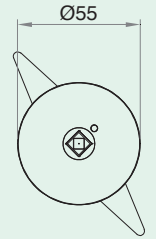
TYKP870



TYKT870



WITH EXTENDER BEZEL

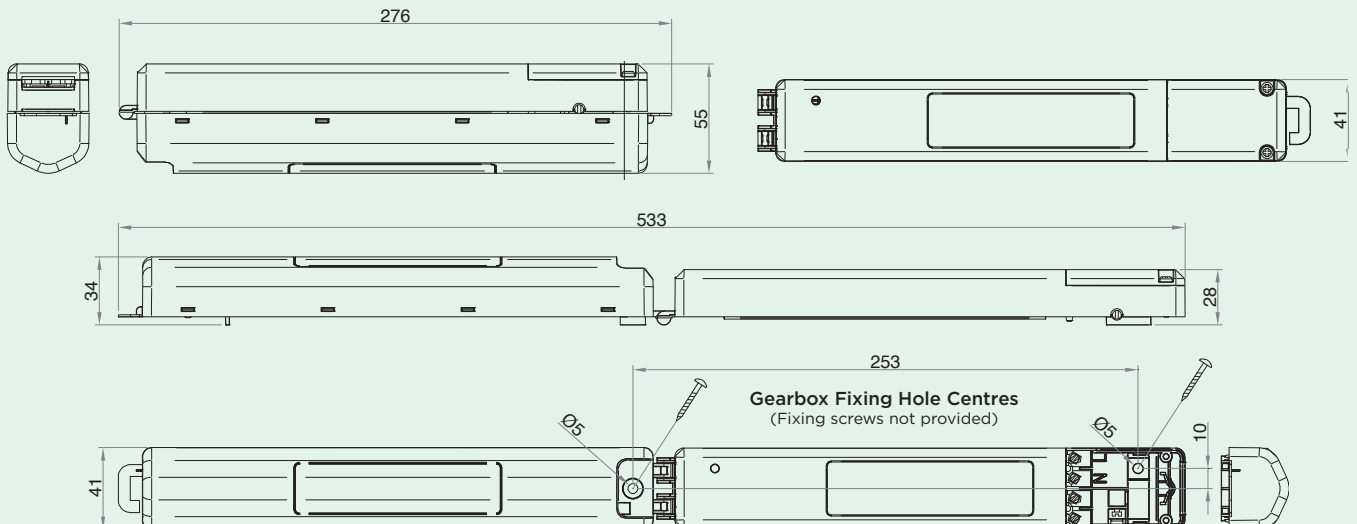


WITHOUT EXTENDER BEZEL

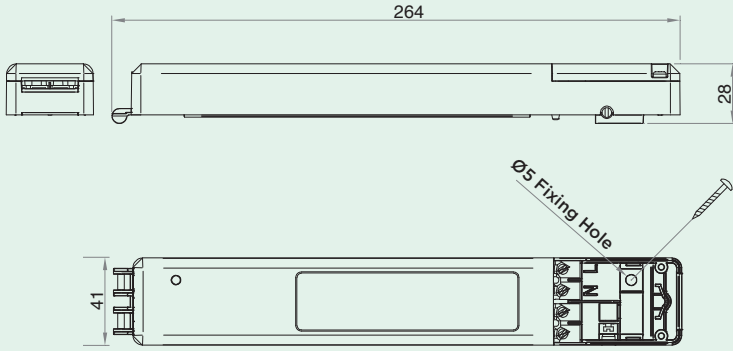
## IMPORTANT-SAFETY

Before carrying out any servicing on this luminaire, ensure that the mains supply is fully isolated. Disconnect luminaire before insulation testing of the installation.

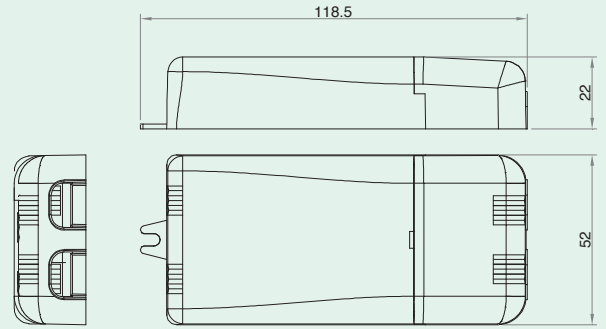
## GEARBOX DIMENSIONS - SELF-CONTAINED



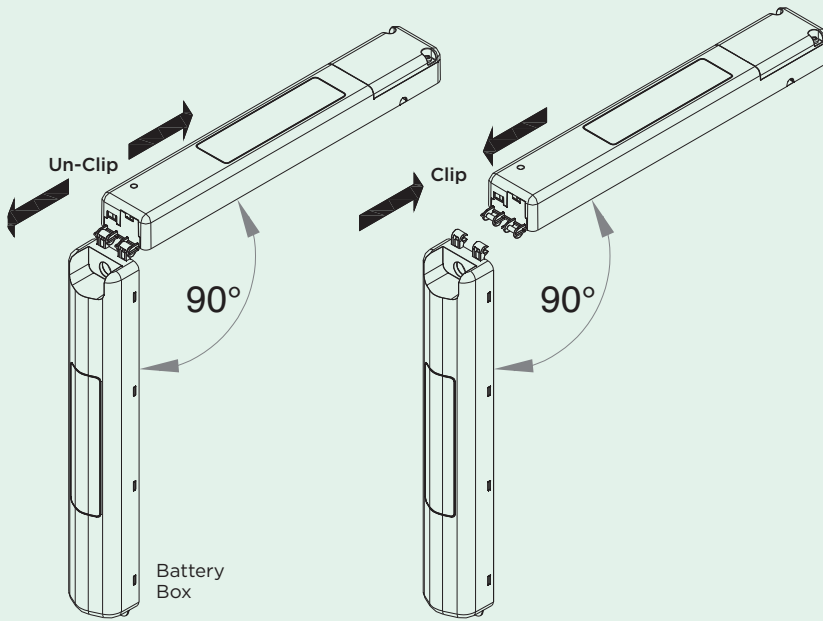
**GEARBOX DIMENSIONS - CENTRAL BATTERY**



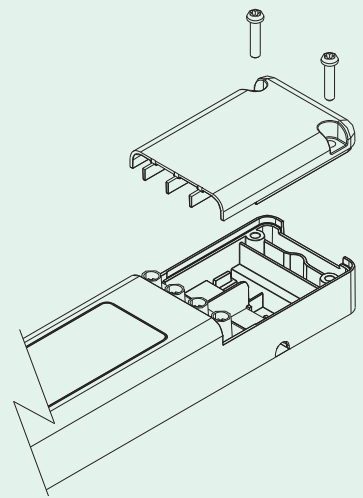
**GEARBOX DIMENSIONS - CENTRAL BATTERY DALI**



**RECYCLABLE BATTERY BOX - SELF-CONTAINED**

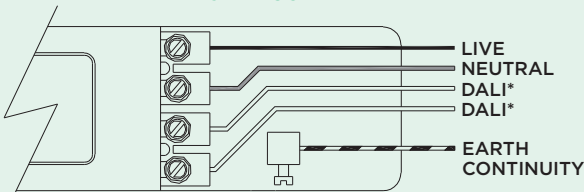


**ACCESS TO SUPPLY TERMINALS**



**SUPPLY CONNECTIONS**

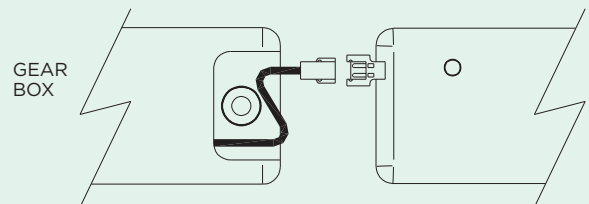
**SELF CONTAINED**



Basic insulation is maintained between the LV supply and control conductors on this luminaire.

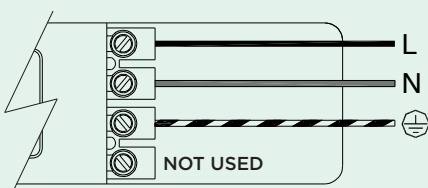
\*DALI VERSIONS ONLY

**BATTERY CONNECTION - SELF-CONTAINED**



**IMPORTANT**  
DO NOT CONNECT BATTERY BEFORE INSTALLATION IS COMPLETE & READY TO BE COMMISSIONED

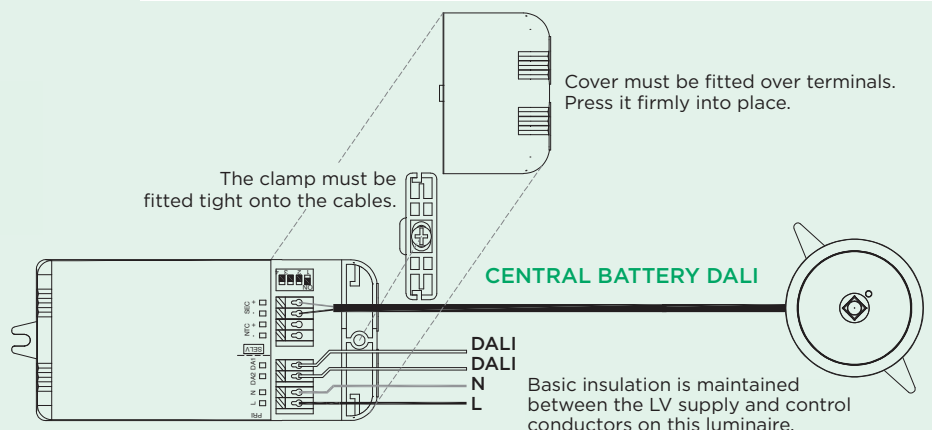
**CENTRAL BATTERY**



The clamp must be fitted tight onto the cables.

Cover must be fitted over terminals. Press it firmly into place.

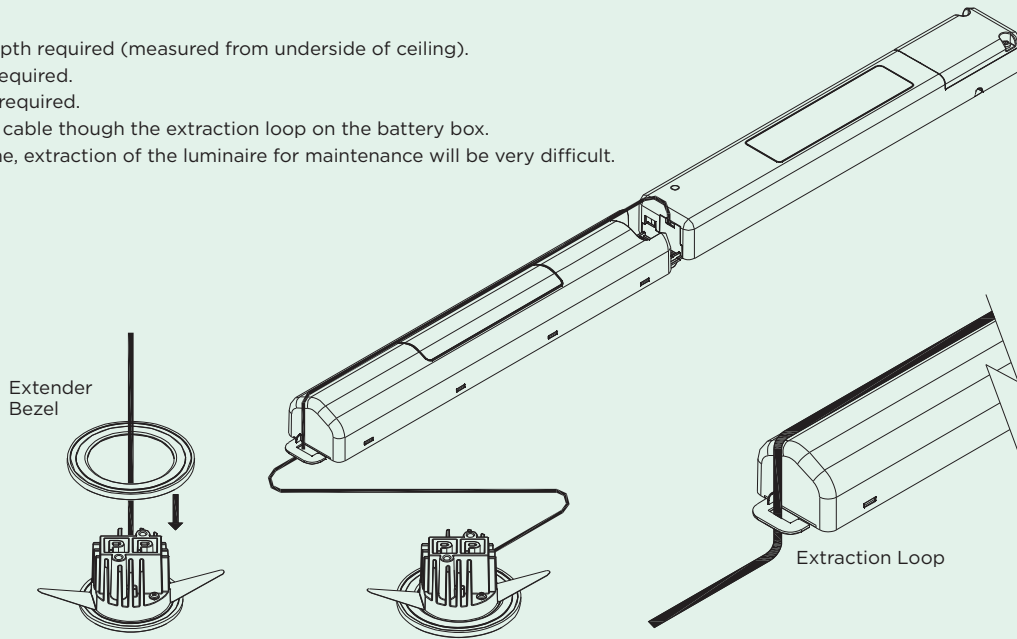
**CENTRAL BATTERY DALI**



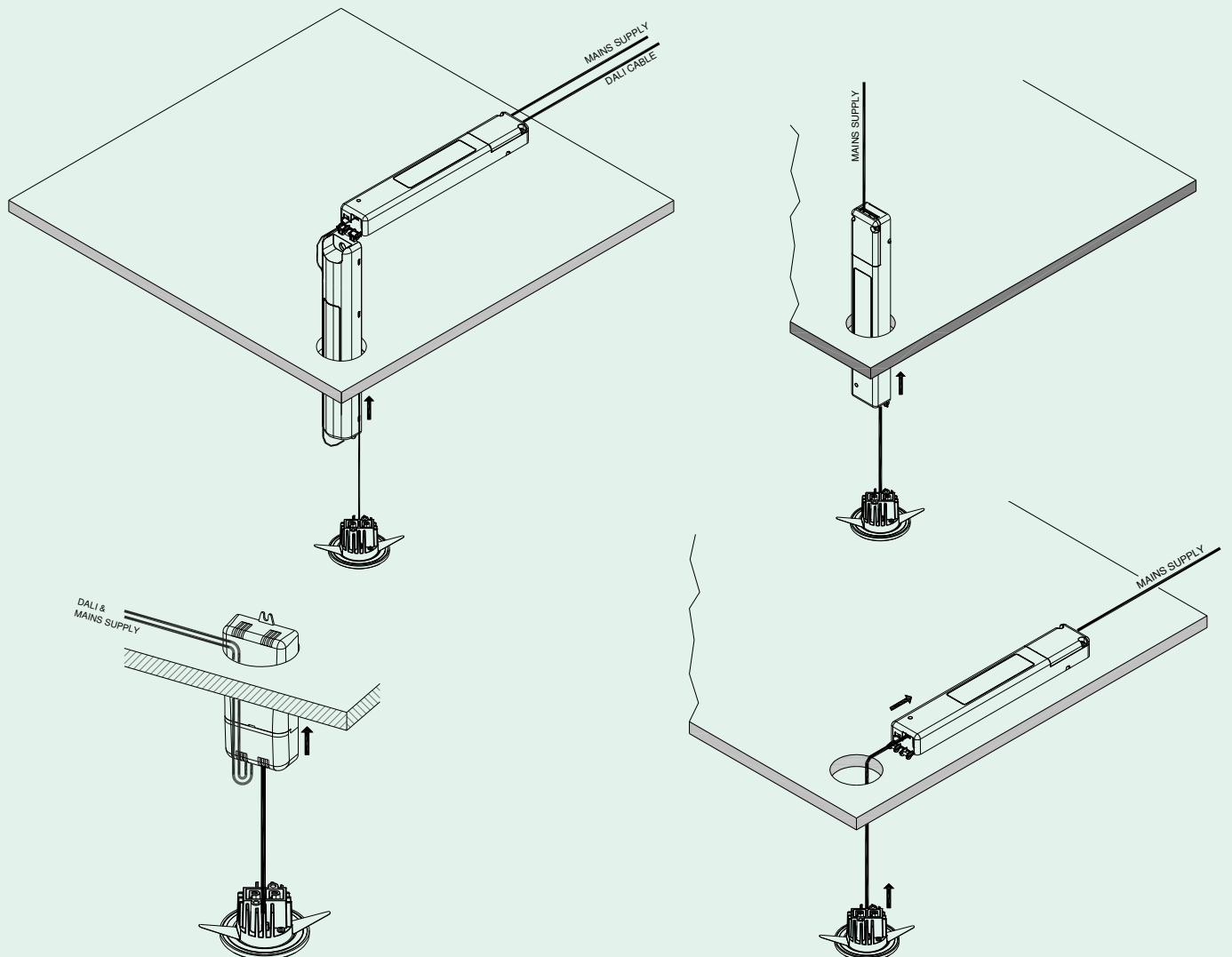
Basic insulation is maintained between the LV supply and control conductors on this luminaire.

**SPECIAL PREPERATION FOR INSTALLATION THROUGH LAMP-HEAD CUT-OUT**

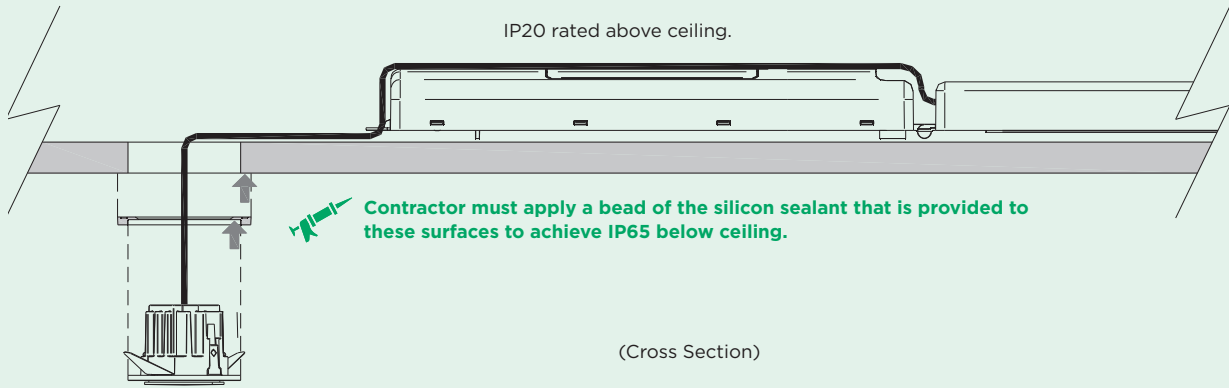
- 240mm void depth required (measured from underside of ceiling).
  - 57mm cut-out required.
  - Extender bezel required.
  - Feed lamphead cable through the extraction loop on the battery box.
- If this is not done, extraction of the luminaire for maintenance will be very difficult.



**GENERAL INSTALLATION METHOD**



INSTALLATION WITH IP65 BELOW CEILING



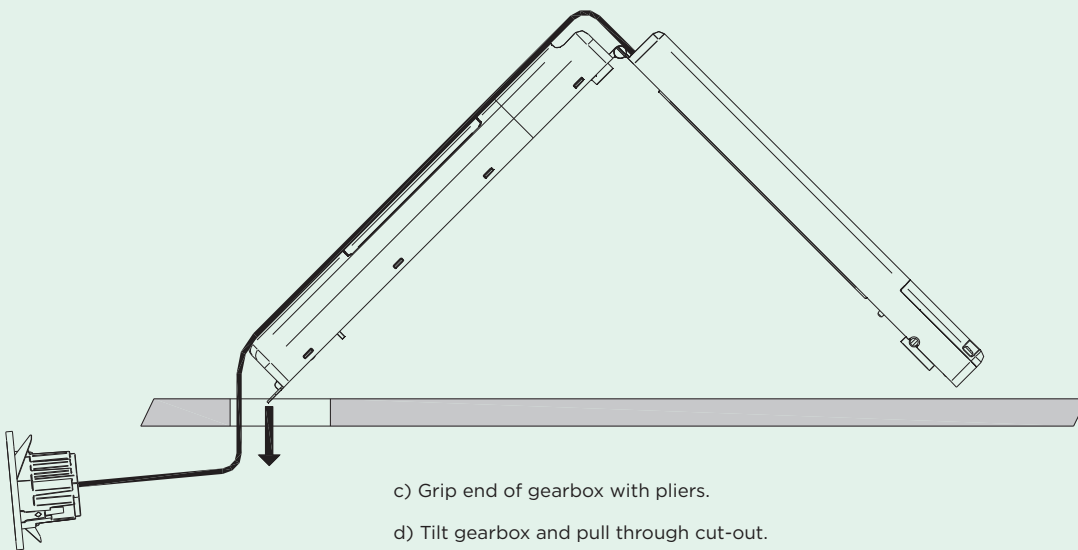
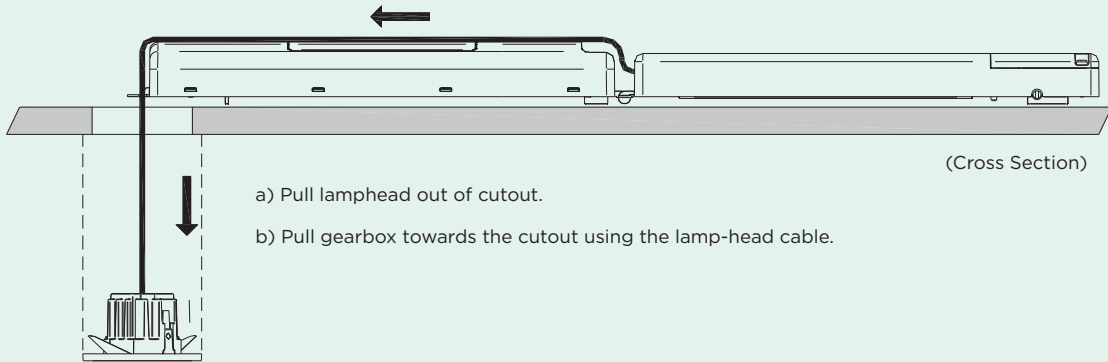
TYKP870 lamphead only.

**WARNING**



Do not stare at operating lamp. It may be harmful to the eyes.

TYKE DOWN-LIGHTER EXTRACTION INSTRUCTIONS



- e) Do not pull lamp-head cable tight. **The lamp-head cable must remain slack.**
- f) If the lamp-head cable is pulled tight, the gearbox will not bend, and it will be very hard to remove from from the ceiling without causing damage.

### LED STATUS INDICATION

Operation	Led Status
Normal mode	Green LED- ON
Commissioning	Green LED- ON
Function test	Green LED- Fast Flash
Duration test	Green LED- Slow flash
Lamp fault/open circuit/short circuit	Red LED - ON
Battery fault	Red LED - Slow flash
Charge fault/Circuit fault	Red LED - Fast flash
Emergency mode	LED OFF
Identification	Red/Green LED - Slow flash

### FAULT RECTIFICATION SEQUENCE

1. Fault Identification	Slow Red Flash = Battery Fault	Permanent Red = Lamp Fault	Charge Fault
2. Take Remedial Action	Check Lamp/ Replace Lamp	Check Battery/ Replace Battery	Check Module/ Replace Module
3. Reset Unit	Switch Luminaire unswitched mains off / on		
4. Automatic Reset	Philip Payne AutoTest automatically resets the module to confirm rectification of fault. The device then reverts to standby mode if the fault has been cleared or returns to fault indication if fault persists.		

### IMPORTANT

To prevent lamp damage and false triggering of fault status please note the following :-

- Ensure LED's are connected correctly to the luminaire prior to applying power.
- Do not interrupt unswitched supply during self-commissioning period.
- Please allow 51 hours for charge, discharge, charge cycle.

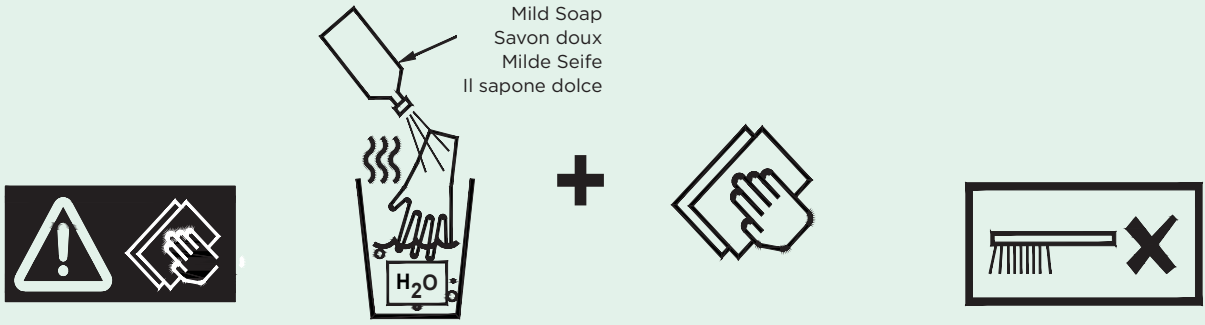
Fitting Reference:		Installation Date:										Location:	
MONTH	TEST	EXAMPLE	1ST YEAR	2ND YEAR	3RD YEAR	4TH YEAR	5TH YEAR	6TH YEAR	7TH YEAR	8TH YEAR			
	1. Functional	PASSED											
	2. Functional	PASSED											
	3. Functional	PASSED											
	4. Functional	PASSED											
	5. Functional	PASSED											
	6. Functional	PASSED											
	7. Functional	FAILED- REPLACED LAMP HEAD											
	8. Functional	PASSED											
	9. Functional	PASSED											
	10. Functional	FAILED- REPLACED BATTERY											
	11. Functional	PASSED											
	12. 3-Hour Duration	PASSED											

Each month, or more frequently if a fault is identified, we recommend the installation is checked for status of L.E.D.'s. Corrective action if necessary should be taken and recorded on the above form.

Follow good practice as laid down in relevant legislation such as BS 5266.

TO RESET AFTER A FAULT - SWITCH LUMINAIRE UNSWITCHED  
 MAINS OFF / ON.  
 SLOW RED LED FLASHING = BATTERY FAULT  
 PERMANENT RED LED = LAMP FAULT

**CLEANING INSTRUCTIONS**



**INFORMATION**

**Operation and Maintenance**

Continual operation at mains voltages in excess of the rated voltage will reduce LED and expected gear life.

This luminaire uses plastic components in its construction and when installed in environments containing chemicals, degradation may occur.

Operation outside intended / stated parameters may cause a hazard, and in an extreme case, for example water ingress to electronic circuits, may cause a fire.

Please contact our Technical Department for advice.

**Modifications**

Philip Payne products should not be modified.

Any modification may render the product unsafe and will invalidate any Safety/Approval marks.

Philip Payne will not accept any responsibility for any modified products or for any damage caused as a result of their modification.

**Monthly and Annual Tests**

Monthly and Annual tests should be carried out in accordance with BS EN 50172:2004, 7.2.

Testing can be carried out by using a sub circuit isolator or by switching off the lighting circuit at the circuit breaker (not for AutoTest or DALI versions).

Battery pack shall be replaced if the specified 3 hour duration is not met.

For replacement battery pack contact Philip Payne Ltd.

The light source contained in this luminaire shall only be replaced by the manufacturer or his service agent or a similar qualified person.



Philip Payne Ltd, Thornhill House, Thornhill Road, Solihull, B91 2HB  
+44 (0)121 705 2384 | mail@philippayne.co.uk | www.philippayne.co.uk



KM587259  
BS EN ISO 60598-2-22



FM-55077



EMS 756379



OHS 756381

