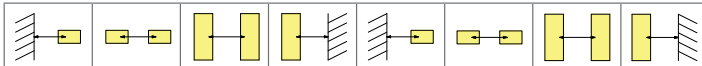


CELO SURFACE

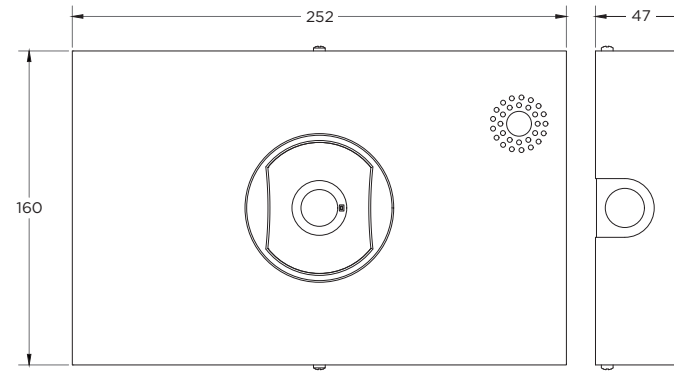
SPACING TABLE



Lens	Mounting Height	0.5 lux				1 lux			
		Corner	Edge	Center	Corner	Edge	Center	Corner	
AREA	2.0M	3.6	7.4	7.4	3.6	4.1	9.1	9.1	4.1
	2.5M	4.2	8.8	8.8	4.2	4.7	10.6	10.6	4.7
	3.0M	4.7	10.4	10.4	4.7	5.3	12.0	12.0	5.3
	3.5M	5.1	11.6	11.6	5.1	5.2	13.3	13.3	5.2
	4.0M	5.6	12.6	12.6	5.6	2.2	14.3	14.3	2.2
	4.5M	5.9	14.0	14.0	5.9	0.0	10.3	10.3	0.0

CORRIDOR	2.0M	2.8	6.0	6.0	2.8	2.0	5.2	12.2	5.2
	2.5M	2.9	6.2	6.2	2.9	2.1	5.5	13.9	5.9
	3.0M	3.0	6.4	6.4	3.0	2.2	5.7	15.3	6.4
	3.5M	3.1	7.2	7.2	3.1	2.2	5.9	16.6	6.9
	4.0M	3.2	7.4	7.4	3.2	2.3	6.1	17.8	7.3
	4.5M	3.2	7.4	7.4	3.2	2.3	6.3	18.8	7.5

SPOT	2.0M	2.5	5.6	5.6	2.5	2.4	5.7	5.7	2.4
	2.5M	2.8	6.2	6.2	2.8	2.7	6.5	6.5	2.7
	3.0M	3.0	6.6	6.6	3.0	3.0	7.1	7.1	3.0
	3.5M	3.2	7.2	7.2	3.2	3.3	7.8	7.8	3.3
	4.0M	3.5	7.6	7.6	3.5	3.6	8.4	8.4	3.6
	4.5M	3.6	8.2	8.2	3.6	3.7	9.0	9.0	3.7



- 230v
- 1.5 KG
- 3hrs
- IP40
- WARRANTY 6



EXAMPLE PRODUCT CODE		CELO	S	A	XT	W
PRODUCT	CELO	CELO				
MOUNT	SURFACE	S				
LENS	AREA	A				
	CORRIDOR	C				
	SPOT	S				
CONTROL	SPECTO-XT NON-MAINTAINED	XT				
COLOUR	WHITE	W				
	BLACK	K				



FEATURES & BENEFITS

- Specto-XT wireless technology removes the need for control cabling, ideal for retro-fit installations
- Low power consumption (total 2W/3.9VA)
- Superb photometrics to provide maximum spacings