

# Emergency Luminaire Surface Ceiling / Wall

IP65

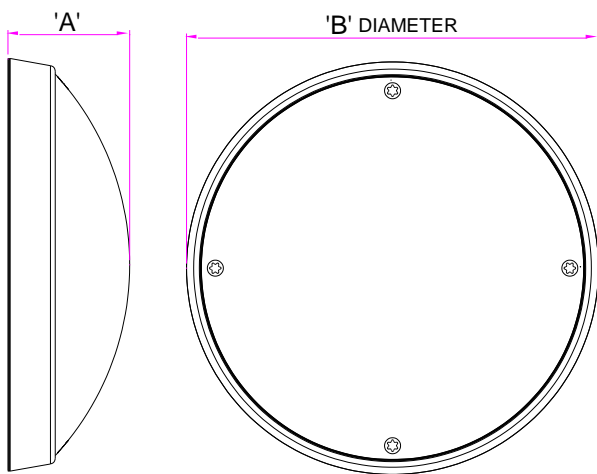
Class 1



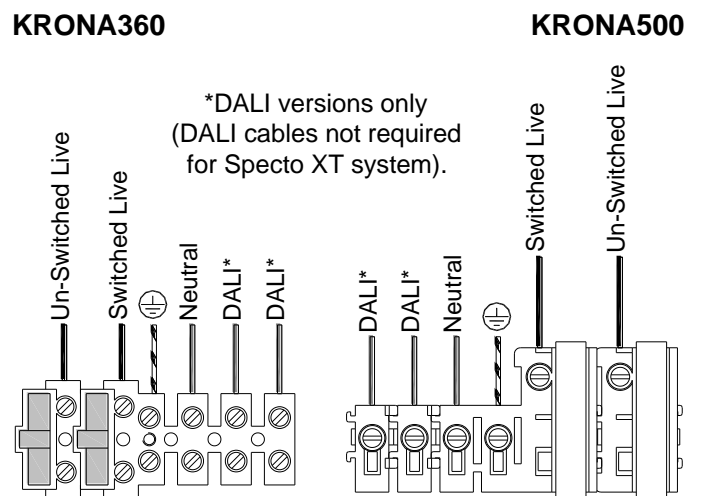
Krona Series

Downlighter features	Supply voltage	Dim 'A'	Dim 'B'	Lumens (mains mode)	Part No.
MM3 SPECTO-XT	220-240V AC 50/60 Hz	105mm	360mm	935 1172 1538	KRONA360XT935 KRONA360XT1172 KRONA360XT1538
		115mm	500mm	1235 1560 2081	KRONA500XT1235 KRONA500XT1560 KRONA500XT2081
MM3 <span style="border: 1px solid black; border-radius: 50%; padding: 2px; margin-left: 20px;">DALI</span>		105mm	360mm	935 1172 1538	KRONA360DL935 KRONA360DL1172 KRONA360DL1538
		115mm	500mm	1235 1560 2081	KRONA500DL1235 KRONA500DL1560 KRONA500DL2081

## Dimensions

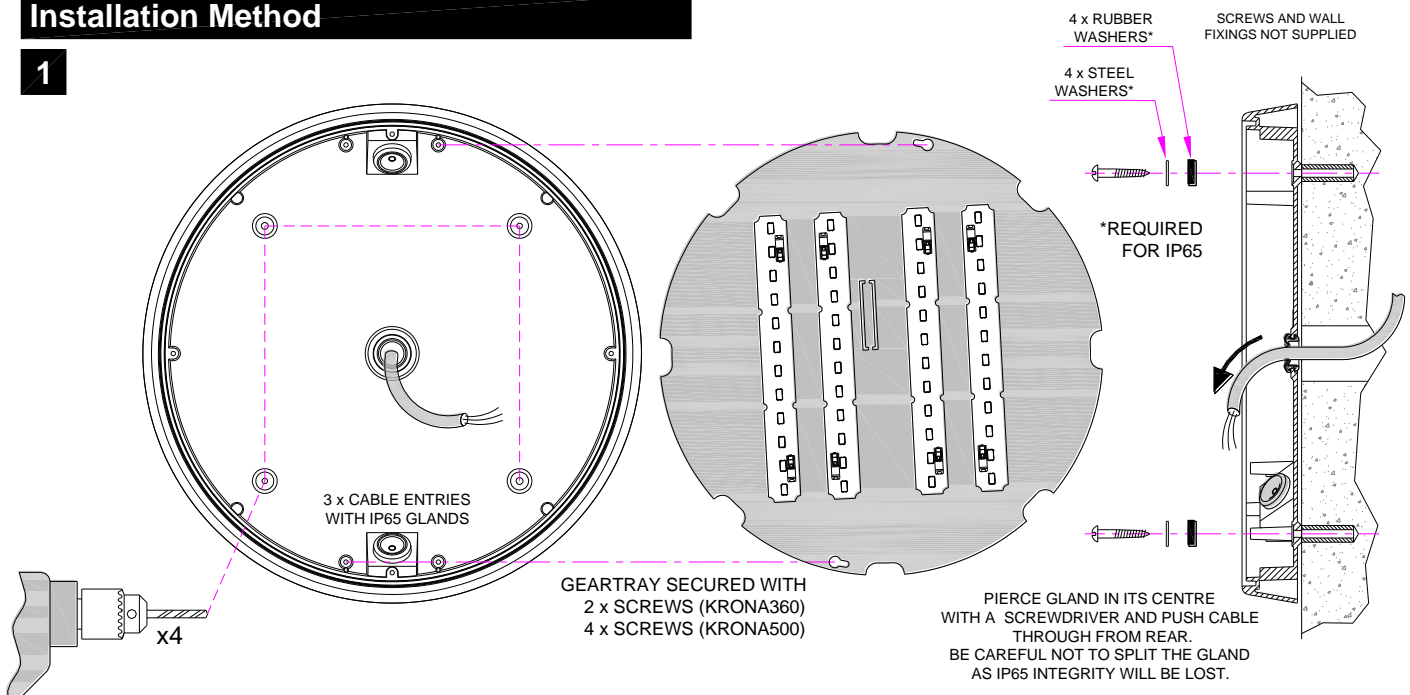


## Connections



## Installation Method

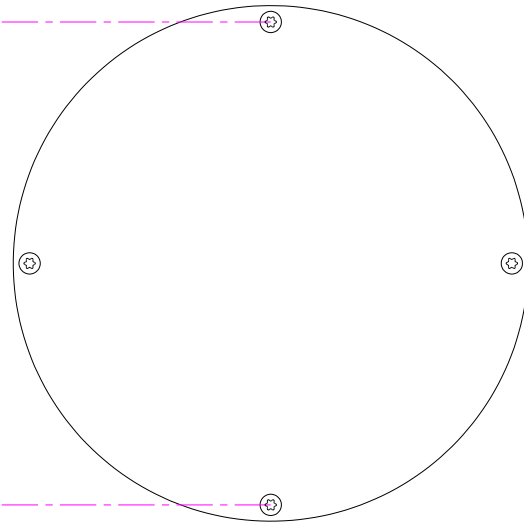
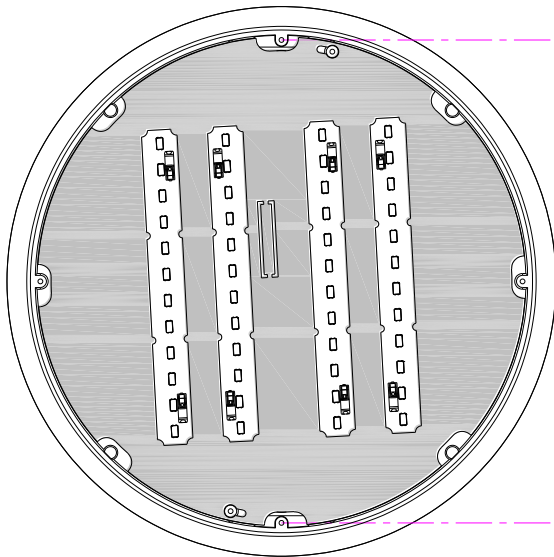
1



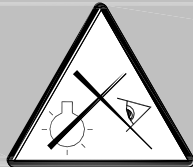
### Important-Safety

Before carrying out any servicing on this luminaire, ensure that the mains supply is fully isolated.  
Disconnect luminaire before insulation testing of the installation.

2

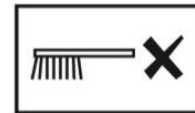


COVER SECURED WITH  
4 x SECURITY SCREWS



Do not stare at operating LED lightsource.  
It may be harmful to the eyes.

### Cleaning Instructions



### Operation and Maintenance

Continual operation at mains voltages in excess of the rated voltage will reduce LED and expected gear life.  
This luminaire uses plastic components in its construction and when installed in environments containing chemicals, degradation may occur.  
Please contact our Technical Department for advice.

### Modifications

Philip Payne products should not be modified.  
Any modification may render the product unsafe and will invalidate any Safety/Approval marks.  
Philip Payne will not accept any responsibility for any modified products or for any damage caused as a result of their modification.

### Monthly and Annual Tests

Monthly and Annual tests should be carried out in accordance with BS EN 50172:2004, 7.2.  
Testing can be carried out by using a sub circuit isolator or by switching off the lighting circuit at the circuit breaker (not for AutoTest or DALI versions).  
Battery pack shall be replaced if the specified 3 hour duration is not met.  
For replacement battery pack contact Philip Payne Ltd.  
The light source of this luminaire is not replaceable; when the light source reaches its end of life the whole luminaire shall be replaced.

**NOTICE TO CONTRACTOR - PLEASE PASS THIS LEAFLET TO THE END-USER.**



**Philip Payne Ltd**  
 A SUBSIDIARY OF F.W. THORPE PLC  
 Thornhill Road, Solihull, B91 2HB, England.  
 Tel: 0121 705 2384  
 Fax: 0121 711 2469  
 e-mail: mail@philippayne.co.uk  
 Website: http://www.philippayne.co.uk  
 Philip Payne Ltd registered in England No. 1361523



21LFT102\_1