

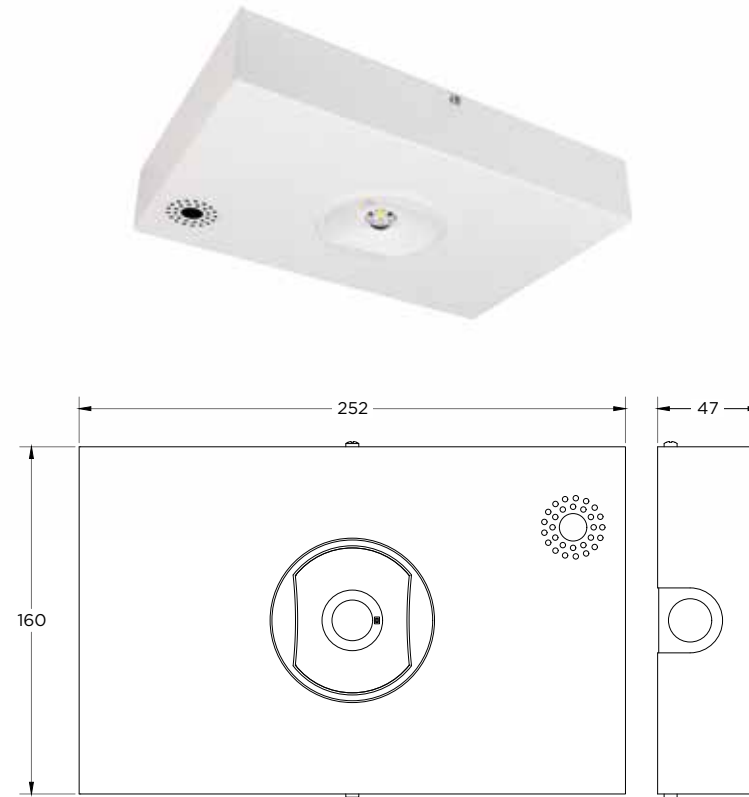
CELO SURFACE

SPACING TABLE

Lens	Mounting Height	0.5 lux				1 lux			
		Diagram 1	Diagram 2	Diagram 3	Diagram 4	Diagram 5	Diagram 6	Diagram 7	Diagram 8
AREA	2.0M	3.6	7.4	7.4	3.6	4.1	9.1	9.1	4.1
	2.5M	4.2	8.8	8.8	4.2	4.7	10.6	10.6	4.7
	3.0M	4.7	10.4	10.4	4.7	5.3	12.0	12.0	5.3
	3.5M	5.1	11.6	11.6	5.1	5.2	13.3	13.3	5.2
	4.0M	5.6	12.6	12.6	5.6	2.2	14.3	14.3	2.2
	4.5M	5.9	14.0	14.0	5.9	0.0	10.3	10.3	0.0

CORRIDOR	2.0M	2.8	6.0	6.0	2.8	2.0	5.2	12.2	5.2
	2.5M	2.9	6.2	6.2	2.9	2.1	5.5	13.9	5.9
	3.0M	3.0	6.4	6.4	3.0	2.2	5.7	15.3	6.4
	3.5M	3.1	7.2	7.2	3.1	2.2	5.9	16.6	6.9
	4.0M	3.2	7.4	7.4	3.2	2.3	6.1	17.8	7.3
	4.5M	3.2	7.4	7.4	3.2	2.3	6.3	18.8	7.5

SPOT	2.0M	2.5	5.6	5.6	2.5	2.4	5.7	5.7	2.4
	2.5M	2.8	6.2	6.2	2.8	2.7	6.5	6.5	2.7
	3.0M	3.0	6.6	6.6	3.0	3.0	7.1	7.1	3.0
	3.5M	3.2	7.2	7.2	3.2	3.3	7.8	7.8	3.3
	4.0M	3.5	7.6	7.6	3.5	3.6	8.4	8.4	3.6
	4.5M	3.6	8.2	8.2	3.6	3.7	9.0	9.0	3.7



230v

3hrs



DALI

CE

KG
1.5

IP40

5
WARRANTY

EXAMPLE PRODUCT CODE		CELO	S	A	XT	W
PRODUCT	CELO	CELO				
MOUNT	SURFACE	S				
LENS	AREA	A				
	CORRIDOR	C				
	SPOT	S				
CONTROL	DALI NON-MAINTAINED	DS				
	SPECTO-XT NON-MAINTAINED	XT				
COLOUR	WHITE	W				
	BLACK	K				



FEATURES & BENEFITS

- Specto-XT wireless technology removes the need for control cabling, ideal for retro-fit installations
- Low power consumption (total 2W/3.9VA)
- Superb photometrics to provide maximum spacings