

CELO RECESS

230v

3hrs



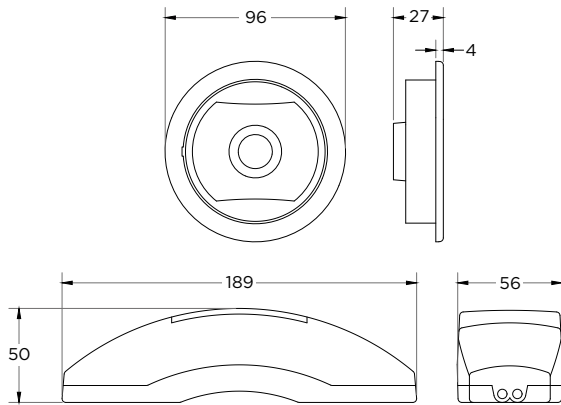
DALI



0.48 KG

IP40

5 WARRANTY



SPACING TABLE

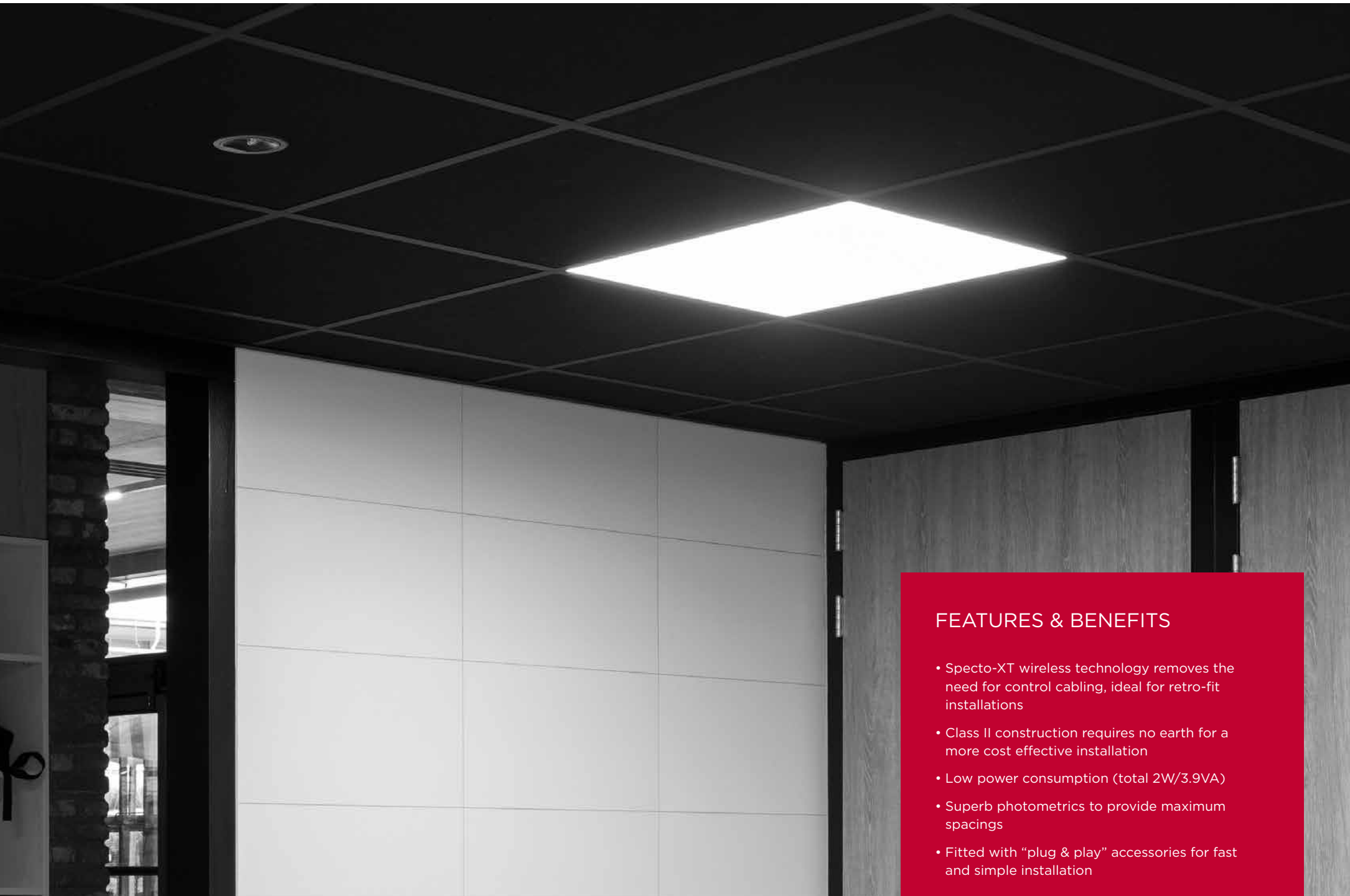
Lens	Mounting Height	0.5 lux				1 lux			
		Diagram 1	Diagram 2	Diagram 3	Diagram 4	Diagram 5	Diagram 6	Diagram 7	Diagram 8
AREA	2.0M	3.6	7.4	7.4	3.6	4.1	9.1	9.1	4.1
	2.5M	4.2	8.8	8.8	4.2	4.7	10.6	10.6	4.7
	3.0M	4.7	10.4	10.4	4.7	5.3	12.0	12.0	5.3
	3.5M	5.1	11.6	11.6	5.1	5.2	13.3	13.3	5.2
	4.0M	5.6	12.6	12.6	5.6	2.2	14.3	14.3	2.2
4.5M	5.9	14.0	14.0	5.9	0.0	10.3	10.3	0.0	

CORRIDOR	2.0M	2.8	6.0	6.0	2.8	2.0	5.2	12.2	5.2
	2.5M	2.9	6.2	6.2	2.9	2.1	5.5	13.9	5.9
	3.0M	3.0	6.4	6.4	3.0	2.2	5.7	15.3	6.4
	3.5M	3.1	7.2	7.2	3.1	2.2	5.9	16.6	6.9
	4.0M	3.2	7.4	7.4	3.2	2.3	6.1	17.8	7.3
4.5M	3.2	7.4	7.4	3.2	2.3	6.3	18.8	7.5	

SPOT	2.0M	2.5	5.6	5.6	2.5	2.4	5.7	5.7	2.4
	2.5M	2.8	6.2	6.2	2.8	2.7	6.5	6.5	2.7
	3.0M	3.0	6.6	6.6	3.0	3.0	7.1	7.1	3.0
	3.5M	3.2	7.2	7.2	3.2	3.3	7.8	7.8	3.3
	4.0M	3.5	7.6	7.6	3.5	3.6	8.4	8.4	3.6
4.5M	3.6	8.2	8.2	3.6	3.7	9.0	9.0	3.7	

EXAMPLE PRODUCT CODE		CELO	R	C	XT	W
PRODUCT	CELO	CELO				
MOUNT	RECESSED	R				
LENS	AREA	A				
	CORRIDOR	C				
	SPOT	S				
CONTROL	DALI NON-MAINTAINED	DS				
	SPECTO-XT NON-MAINTAINED	XT				
COLOUR	WHITE	W				
	BLACK	K				

CELORCXTW CELO | Recessed | Corridor Lens | Specto-XT Non-Maintained | White finish



FEATURES & BENEFITS

- Specto-XT wireless technology removes the need for control cabling, ideal for retro-fit installations
- Class II construction requires no earth for a more cost effective installation
- Low power consumption (total 2W/3.9VA)
- Superb photometrics to provide maximum spacings
- Fitted with “plug & play” accessories for fast and simple installation