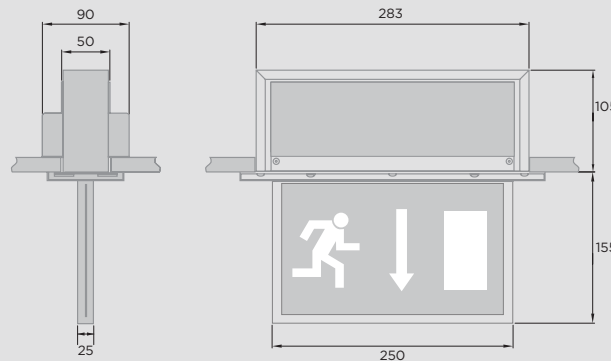




# 250FB | ARCHITECTURAL RANGE

CE	F
MM	NM
LED	DALI
SELF TEST	
20/30m	20
	1.5 KG

- EN60598-1
- EN60598-2-22
- EN55015
- EN61547
- EN61000-3-2
- STEEL



To specify a wireless product variant for use with Philip Payne SpectoXT Emergency Lighting System from this range simply replace gear suffix code with XT.

### Specification

<b>Voltage</b>	<b>230v</b>
<b>IP</b>	<b>20</b>
<b>Weight</b>	<b>1.5kg</b>
<b>Gear Options</b>	<b>230v central Supply</b> <b>3hr Non-Maintained</b> <b>3hr Maintained</b> <b>3hr Self Test</b> <b>3hr DALi</b>

### PART NUMBERS

250FBLA	230v AC/DC	Central Supply
250FBLE	230v AC	Central Supply
250FBDA	230v AC/DC	Central Supply DALi
250FBLM	3hr Self Contained	Maintained/Non-Maintained
250FBYL	3hr Self Contained	Self Test
250FBDL	3hr Self Contained	DALi

### FINISH OPTIONS

<b>R</b> Satin Chrome	<b>W</b> RAL 9010
<b>C</b> Polished Chrome	<b>G</b> RAL 9006
<b>B</b> Polished Brass	<b>K</b> RAL 9005
<b>D</b> BMA	<b>V</b> Penny Bronze

Products should be suffixed with appropriate code. For example: **250FBDLV** for penny bronze finished product.