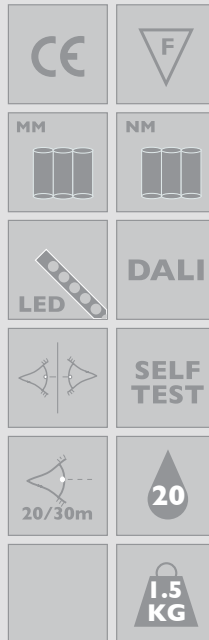
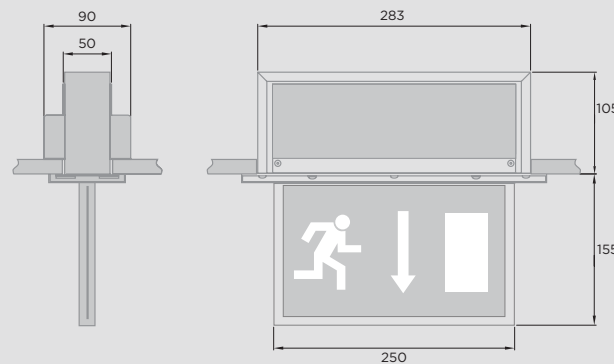


ARCHITECTURAL RANGE | 250FB



EN60598-1
EN60598-2-22
EN55015
EN61547
EN61000-3-2
STEEL



SpectroXT

To specify a wireless product variant for use with Philip Payne SpectroXT Emergency Lighting System from this range simply replace gear suffix code with XT.

Specification

Voltage	230v
IP	20
Weight	1.5kg
Gear Options	230v central Supply 3hr Non-Maintained 3hr Maintained 3hr Self Test 3hr DALi

PART NUMBERS

250FBLA	230v AC/DC	Central Supply
250FBLE	230v AC	Central Supply
250FBDA	230v AC/DC	Central Supply DALi
250FBLM	3hr Self Contained	Maintained/ Non-Maintained
250FBYL	3hr Self Contained	Self Test
250FBDL	3hr Self Contained	DALi

FINISH OPTIONS

R Satin Chrome	W RAL 9010
C Polished Chrome	G RAL 9006
B Polished Brass	K RAL 9005
D BMA	V Penny Bronze

Products should be suffixed with appropriate code.
For example: **250FBDLV** for penny bronze finished product.