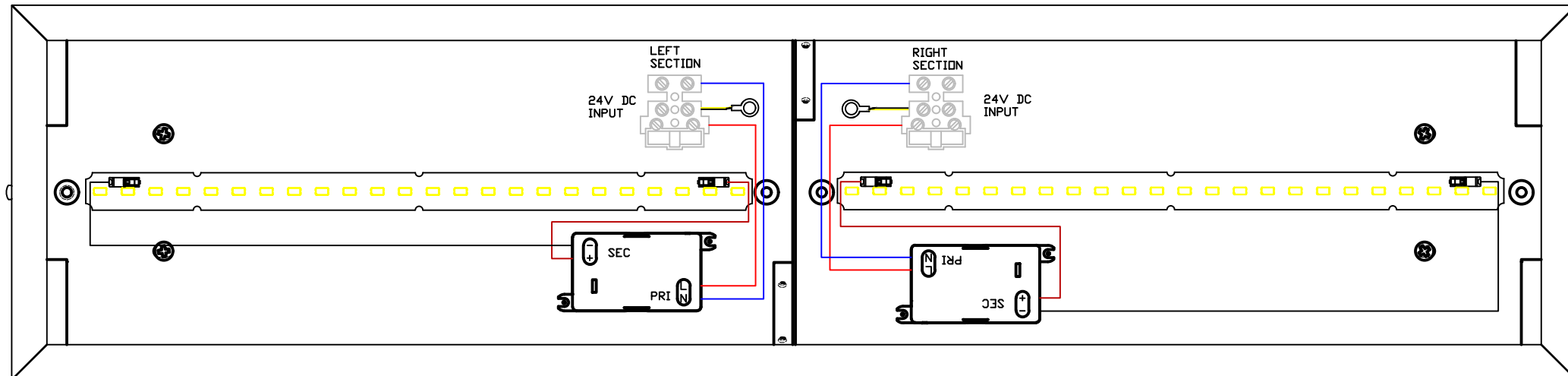


REV.	DATE	BY	DESCRIPTION



PHILIP PAYNE LTD  
 WIRING DIAGRAM  
 FOR 2982SILIL24

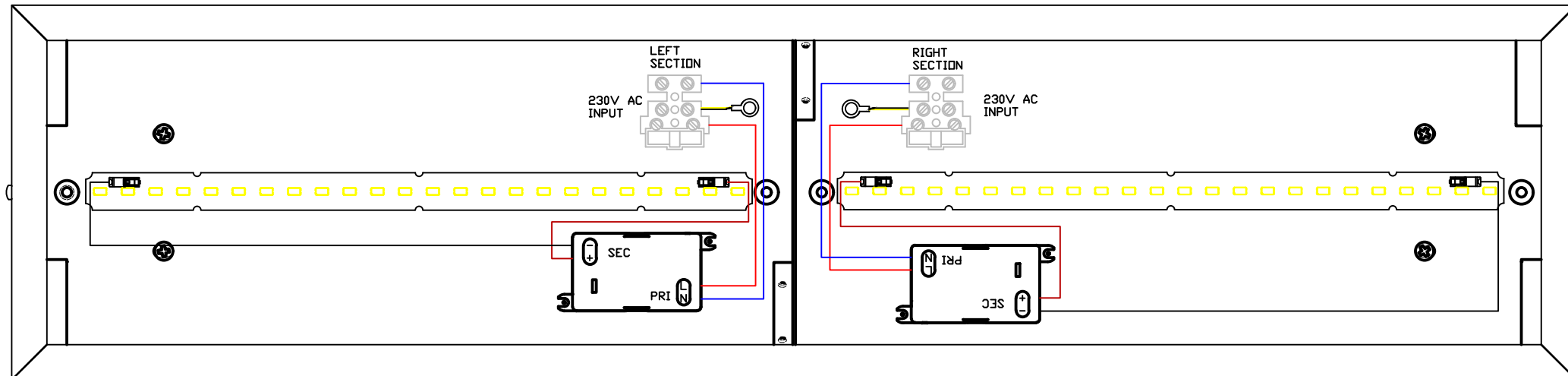
SCALE	NTS
DATE	07.02.22
DRN. BY	AB
DESIGNER	AB

DRAWING No.

2982SILIL24

BASED ON CUSTOMER DRG. ORIGINATOR:	REV. DATE
---------------------------------------	--------------

REV.	DATE	BY	DESCRIPTION



PHILIP PAYNE LTD  
 WIRING DIAGRAM  
 FOR 2982SLALA

SCALE	NTS
DATE	07.02.22
DRN. BY	AB
DESIGNER	AB

DRAWING No.  
**2982SLALA**

BASED ON CUSTOMER DRG. ORIGINATOR:	REV. DATE
---------------------------------------	--------------