

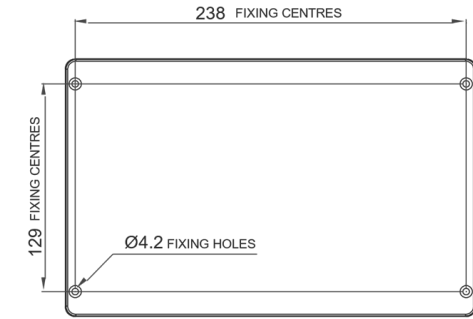
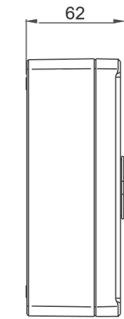
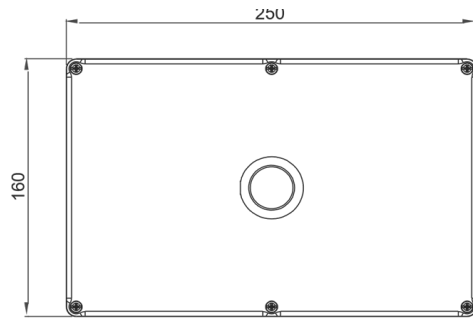
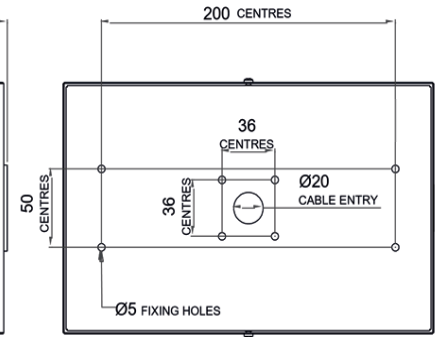
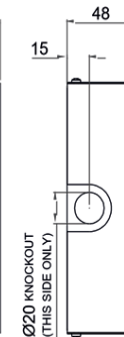
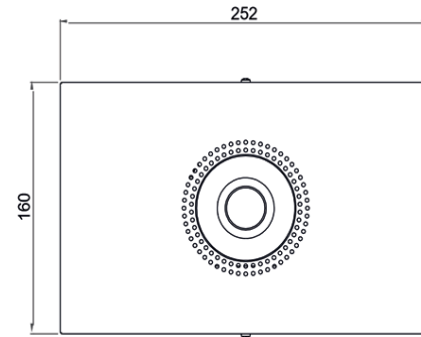
# SPRE880



- IP20
- NM
- 6 WARRANTY
- 0.7 KG
- 230v
- DALI
- 3W
- IP65



- EN 60598-1
- EN60598-2-22
- EN55015
- EN61547
- EN61000-3-2



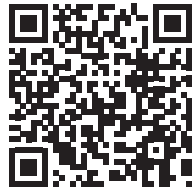
EXAMPLE PRODUCT CODE		SPR	E880	XT	W
<b>FAMILY</b>	SPRITE	SPR			
<b>LENS</b>	AREA	A880			
	CORRIDOR	C880			
	IP65 RATED	P880 (ONLY AVAILABLE IN GREY)			
	STANDARD	E880			
	SPECTO XT	XT			
<b>COLOUR</b>	GREY	G			
	BLACK	K			
	WHITE	W			

Example Code SPRE880XTW Sprite | Standard | Specto Xt | White Finish  
 For more information on colours, please go to the **Finishes Page**.

# SPRE880



- IP20**
- NM**
- 6** WARRANTY
- KG 0.7**
- 230v**
- DALI**
- 3W**
- IP65**



- EN 60598-1
- EN60598-2-22
- EN55015
- EN61547
- EN61000-3-2

## SPRA880

MOUNTING HEIGHT	0.5 LUX				1 LUX			
	2.0	4.1	8.2	8.2	4.1	3.6	7.0	7.0
2.5	4.6	9.6	9.6	4.6	3.9	8.0	8.0	3.9
3.0	5.0	10.6	10.6	5.0	4.1	8.8	8.8	4.1
3.5	5.3	11.6	11.6	5.3	4.1	9.2	9.2	4.1
4.0	5.5	12.2	12.2	5.5	3.7	9.4	9.4	3.7
4.5	5.6	13.0	13.0	5.6	3.3	9.6	9.6	3.3

## SPRC880

MOUNTING HEIGHT	0.5 LUX				1 LUX			
	2.0	2.3	6.1	20.5	9.1	1.6	4.6	18.3
2.5	2.3	6.4	24	10.6	1.5	4.7	21.2	9.1
3.0	2.3	6.6	27.2	11.9	1.4	4.7	23.9	9.8
3.5	2.2	6.7	30.1	13.1	1.3	4.5	26.3	10.3
4.0	2.1	6.7	32.9	13.9	1.2	4.2	25.9	5.4
4.5	1.9	6.5	35.5	14.4	1.1	3.9	24.4	5.6

## SPRE880 & SPRP880

MOUNTING HEIGHT	0.5 LUX				1 LUX			
	2.0	3.4	7.2	7.2	3.4	3.0	6.4	6.4
2.5	3.9	8.2	8.2	3.9	3.4	7.6	7.6	3.4
3.0	4.3	9.4	9.4	4.3	3.5	8.8	8.8	3.5
3.5	4.6	10.6	10.6	4.6	3.7	9.6	9.6	3.7
4.0	4.8	11.8	11.8	4.8	3.9	10.0	10.0	3.9
4.5	4.9	12.8	12.8	4.9	3.8	11.6	11.6	3.8