

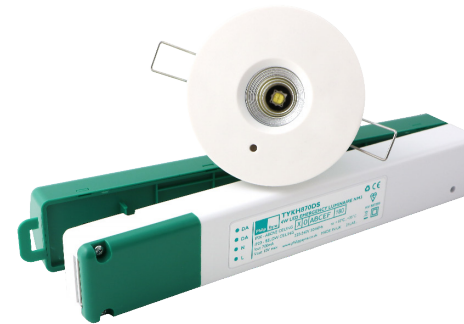
TYKH870



- IP20
- NM/MM
- 5 WARRANTY
- 0.35 KG
- 230v
- DALI
- 4W



- EN 60598-1
- EN60598-2-22
- EN55015
- EN61547
- EN61000-3-2



EXAMPLE PRODUCT CODE		TYK	H870	LA	W
FAMILY	TYKE	TYK			
LENS	HIGH CEILING	H870			
CONTROL GEAR	MAINS/CENTRAL BATTERY*	LA			
	MAINS/CENTRAL BATTERY DALI*	DA			
	NON-MAINTAINED SELF-CONTAINED	LN			
	NON-MAINTAINED AUTOTEST	YS			
	NON-MAINTAINED DALI	DS			
COLOUR	GREY	G			
	BLACK	K			
	WHITE	W			

For more information on colours, please go to the **Finishes Page**.

*For input voltages please refer to our installation leaflets.

TYKH870



KM587259
BS EN ISO 60598-2-22



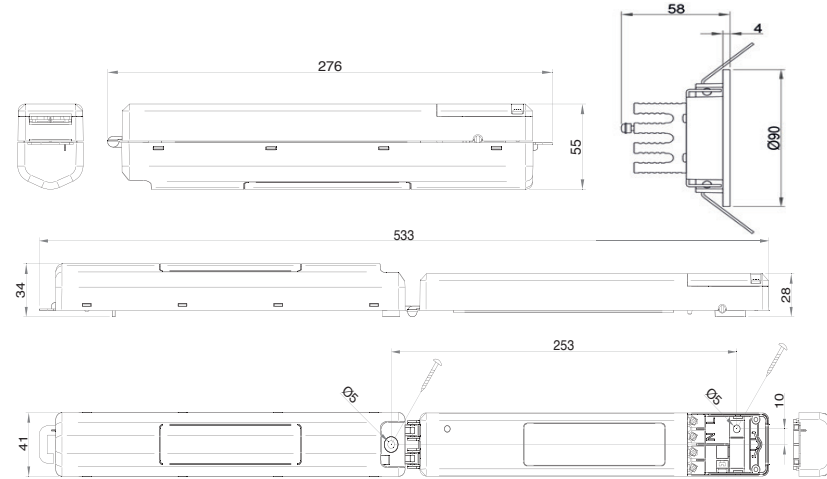
EN 60598-1

EN60598-2-22

EN55015

EN61547

EN61000-3-2



TYKH870

MOUNTING HEIGHT	0.5 LUX				1 LUX			
	2.1	3.4	3.4	2.1	2.1	3.4	3.4	2.1
2.0	2.1	3.4	3.4	2.1	2.1	3.4	3.4	2.1
2.5	2.5	4.2	4.2	2.5	2.4	4.0	4.0	2.4
3.0	2.9	5.0	5.0	2.9	2.8	4.8	4.8	2.8
3.5	3.2	6.0	6.0	3.2	3.1	5.6	5.6	3.1
4.0	3.5	6.8	6.8	3.5	3.4	6.4	6.4	3.4
4.5	3.9	7.6	7.6	3.9	3.6	7.0	7.0	3.6