





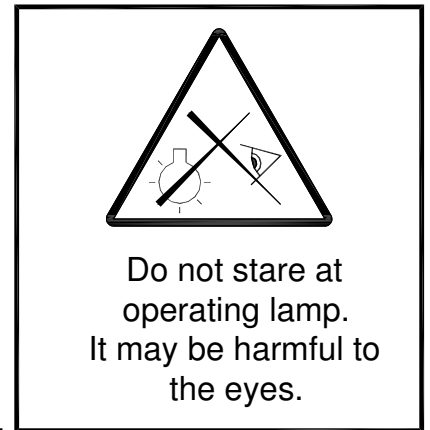
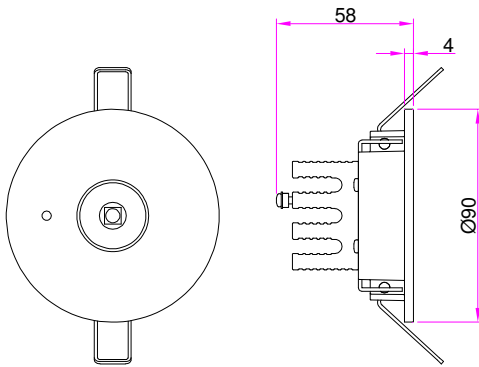
Emergency Downlighter Recessed Ceiling

IP20

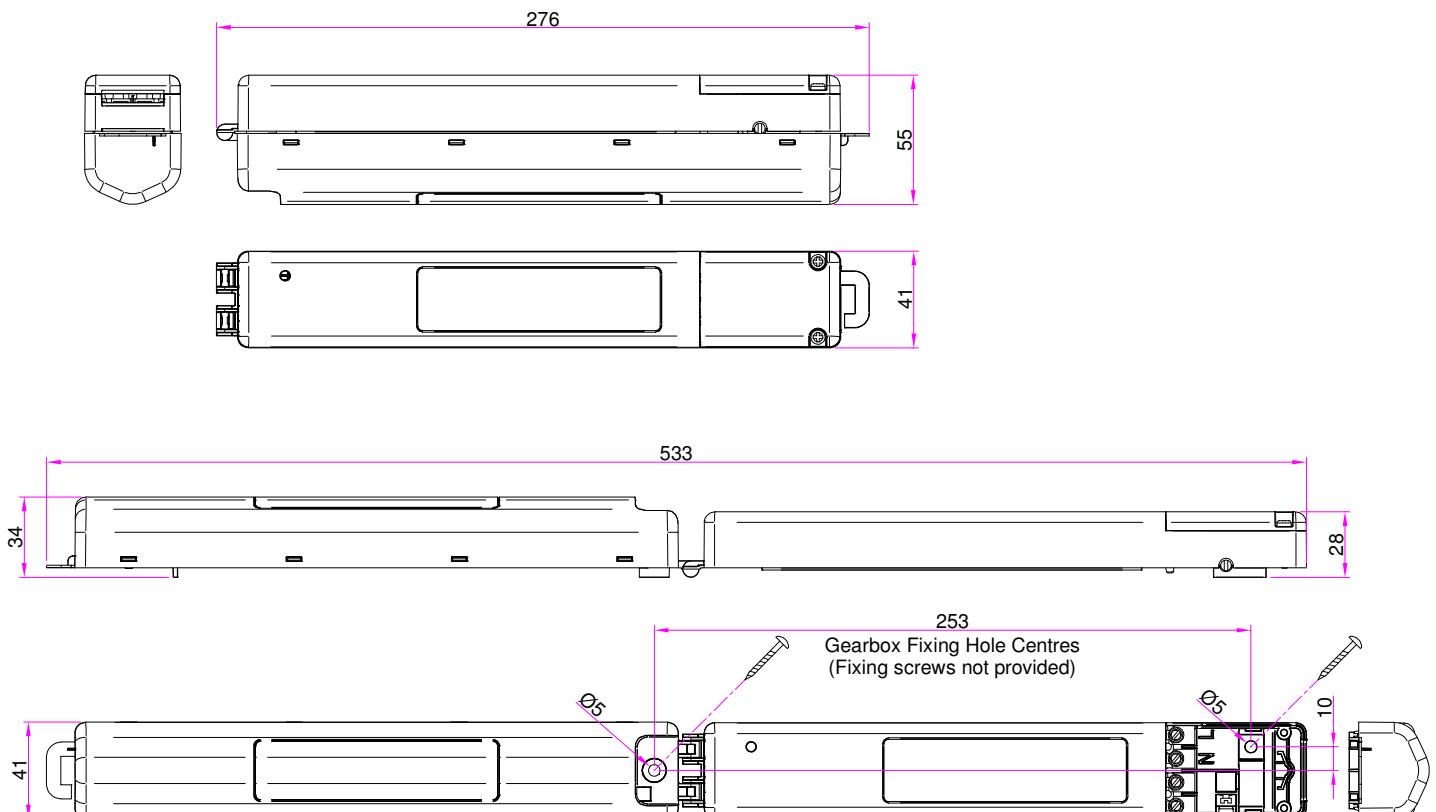
Class 2  TYKH870 Series

Downlighter features	Supply voltage	Maximum luminaires on a Type B, 10A circuit breaker	Part No.
 NM3	220-240V AC 50/60 Hz	90 luminaires	TYKH870LN
 NM3 AutoTest	220-240V AC 50/60 Hz	90 luminaires	TYKH870YS
 NM3 	220-240V AC 50/60 Hz	90 luminaires	TYKH870DS

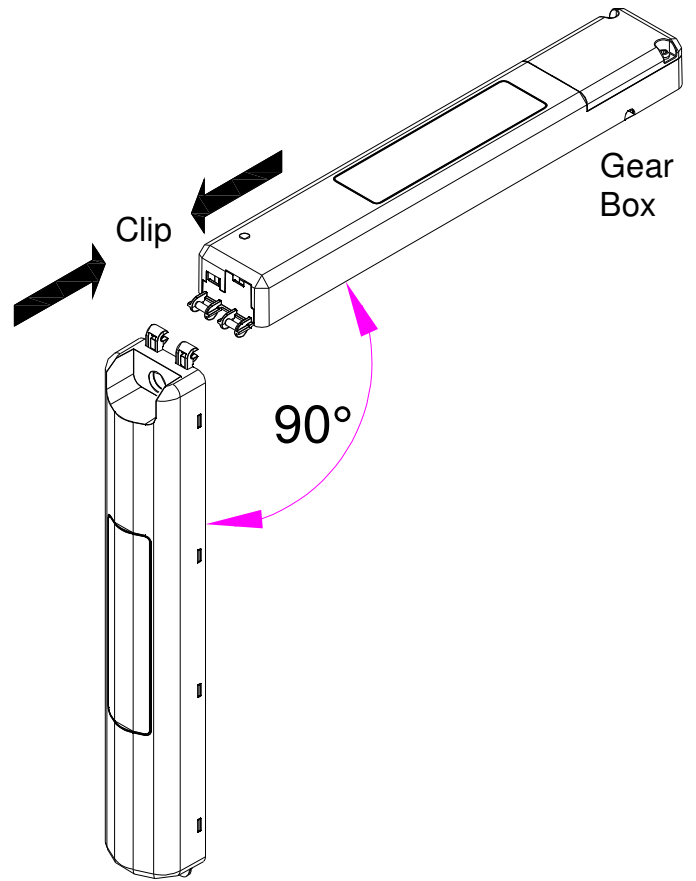
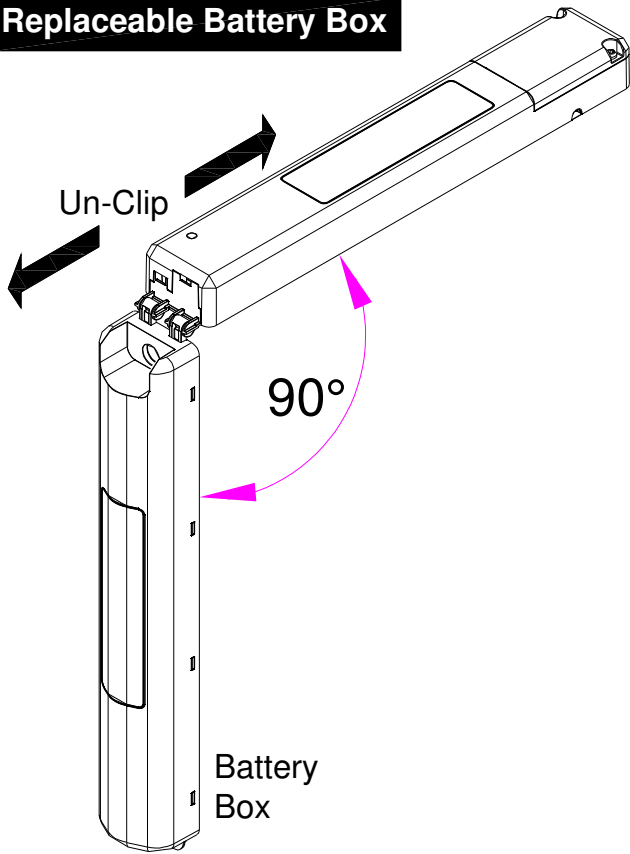
Lamphead Dimensions



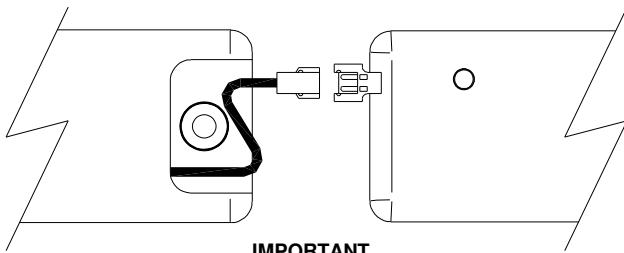
Gearbox Dimensions



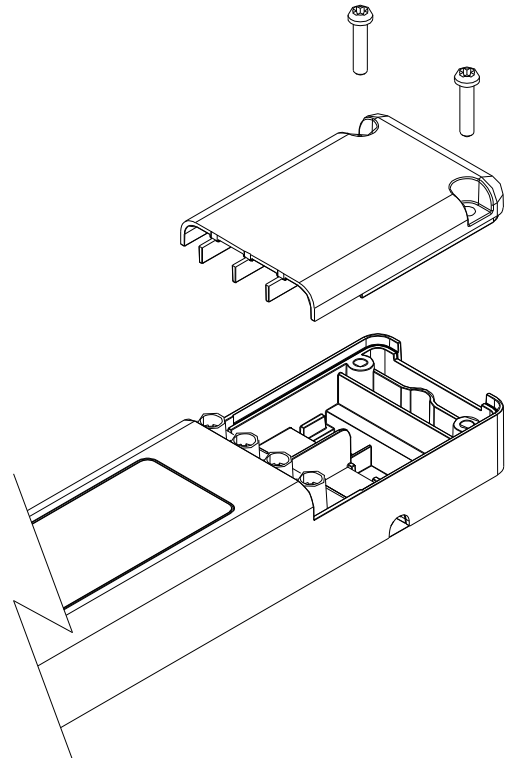
Replaceable Battery Box



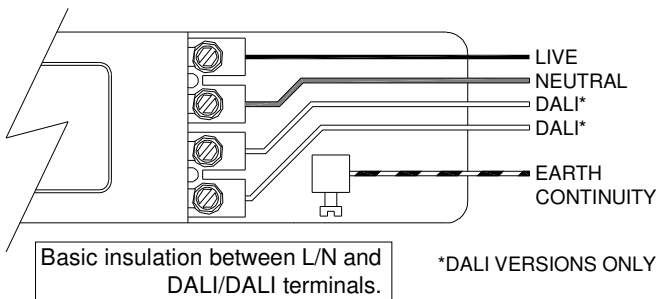
Battery Connection



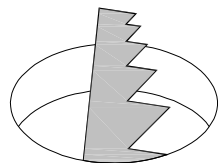
Access To Supply Terminals



Supply Connections

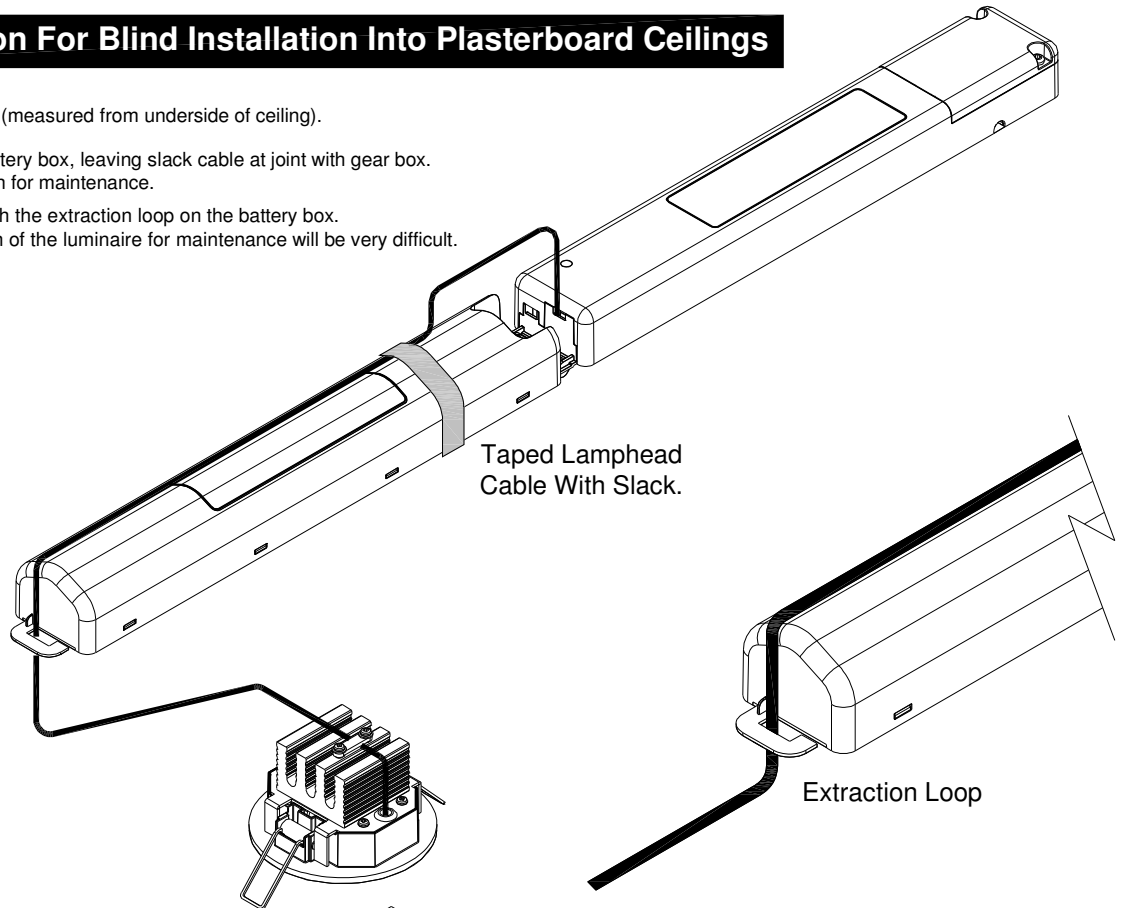


Ceiling Cut-Out

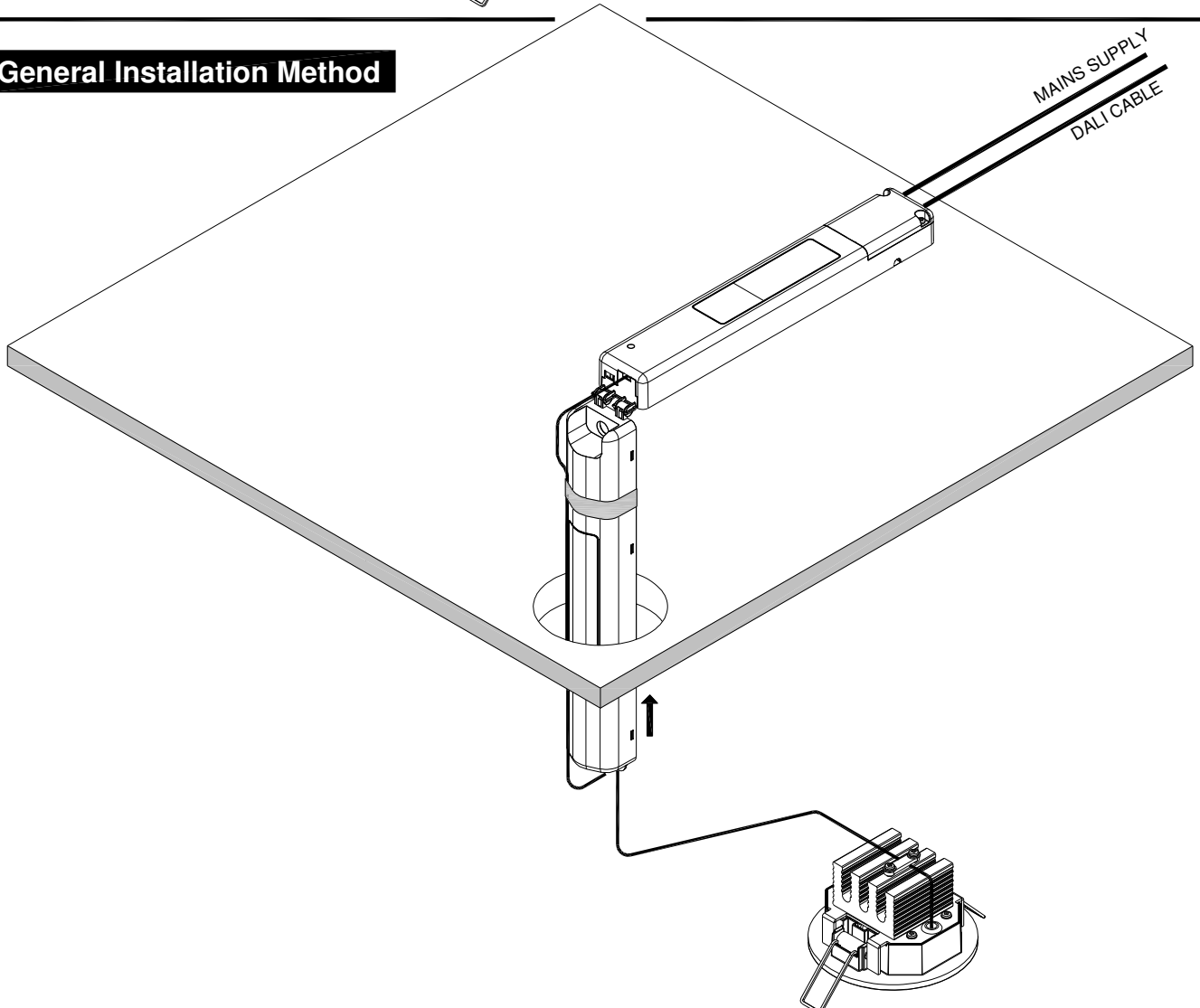


Special Preparation For Blind Installation Into Plasterboard Ceilings

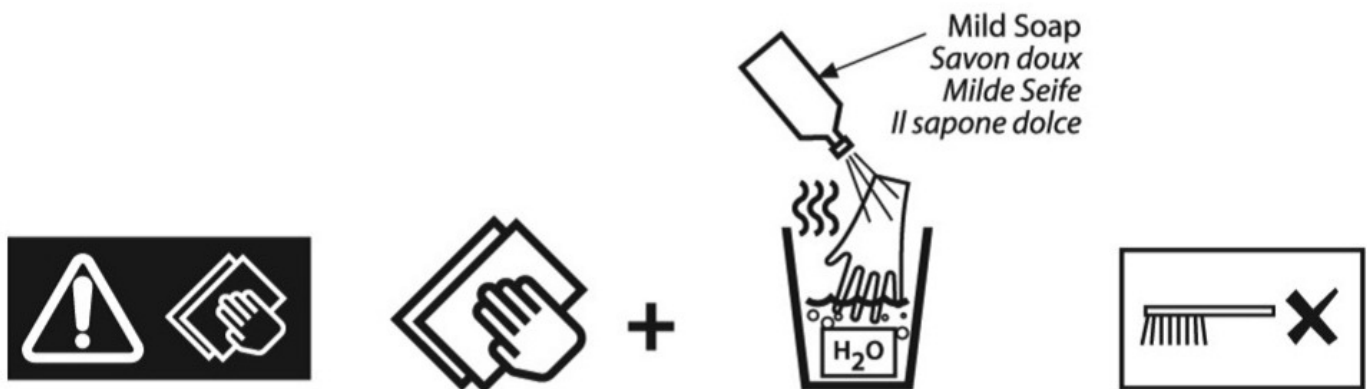
- 240mm void depth required (measured from underside of ceiling).
- Tape lamphead cable to battery box, leaving slack cable at joint with gear box. This allows easier extraction for maintenance.
- Feed lamphead cable through the extraction loop on the battery box. If this is not done, extraction of the luminaire for maintenance will be very difficult.



General Installation Method



Cleaning Instructions



Operation and Maintenance

Continual operation at mains voltages in excess of the rated voltage will reduce LED and expected gear life.

This luminaire uses plastic components in its construction and when installed in environments containing chemicals, degradation may occur. Please contact our Technical Department for advice.

Modifications

Philip Payne products should not be modified.

Any modification may render the product unsafe and will invalidate any Safety/Approval marks.

Philip Payne will not accept any responsibility for any modified products or for any damage caused as a result of their modification.

Monthly and Annual Tests

Monthly and Annual tests should be carried out in accordance with BS EN 50172:2004, 7.2.

Testing can be carried out by using a sub circuit isolator or by switching off the lighting circuit at the circuit breaker (not for AutoTest or DALI versions).

Battery pack shall be replaced if the specified 3 hour duration is not met.

For replacement battery pack contact Philip Payne Ltd.

The light source in this luminaire shall only be replaced by the manufacturer or his service agent or a similar qualified person.

Important-Safety

**Before carrying out any servicing on this luminaire, ensure that the mains supply is fully isolated.
Disconnect luminaire before insulation testing of the installation.**



Philip Payne Ltd

A SUBSIDIARY OF F.W. THORPE PLC
Thornhill Road, Solihull, B91 2HB, England.

Tel: 0121 705 2384

Fax: 0121 711 2469

e-mail: mail@philippayne.co.uk

Website: <http://www.philippayne.co.uk>

Philip Payne Ltd registered in England No. 1361523



ISO9001
FM55077



21LFT073_2

Emergency Downlighter Recessed Ceiling

IP20

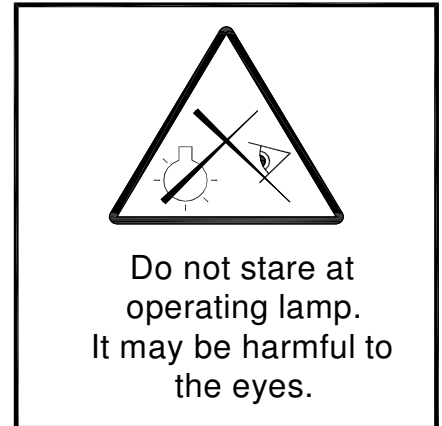
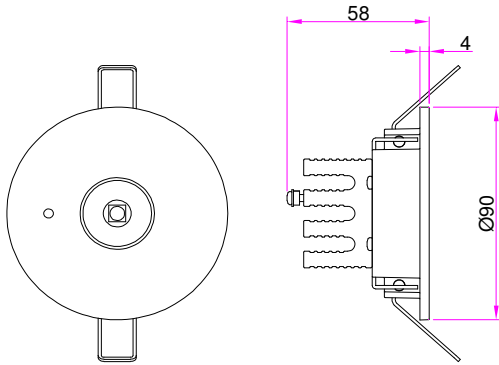
Class 1



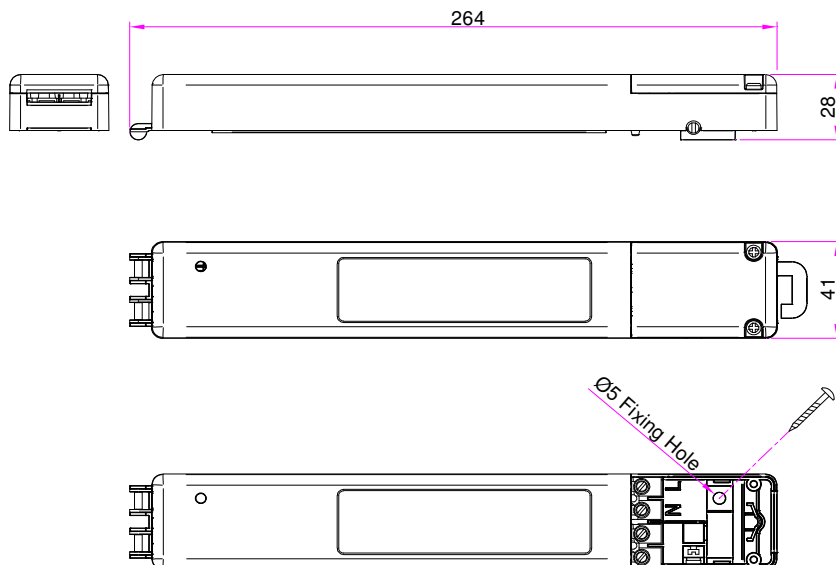
TYKH870LA

Downlighter features	Supply voltage	Maximum luminaires on a Type B, 10A circuit breaker	Part No.
	198-264V AC 50/60 Hz 176-264V DC	30 luminaires	TYKH870LA

Lamphead Dimensions

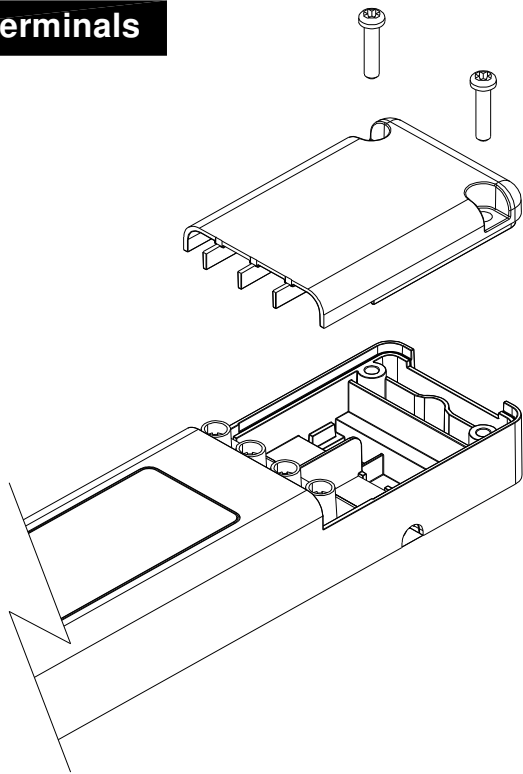


Gearbox Dimensions

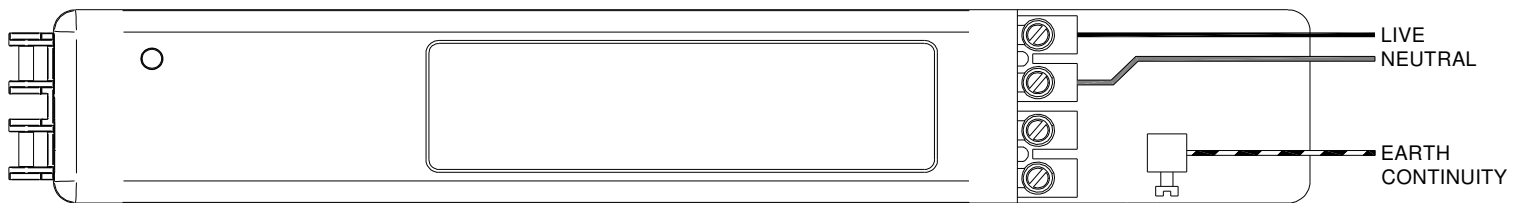


NOTICE TO CONTRACTOR - PLEASE PASS THIS LEAFLET TO THE END-USER.

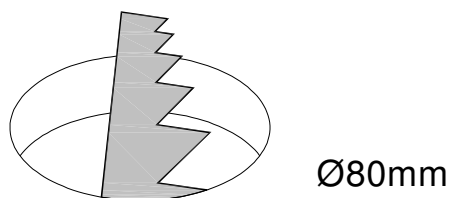
Access To Supply Terminals



Supply Connections



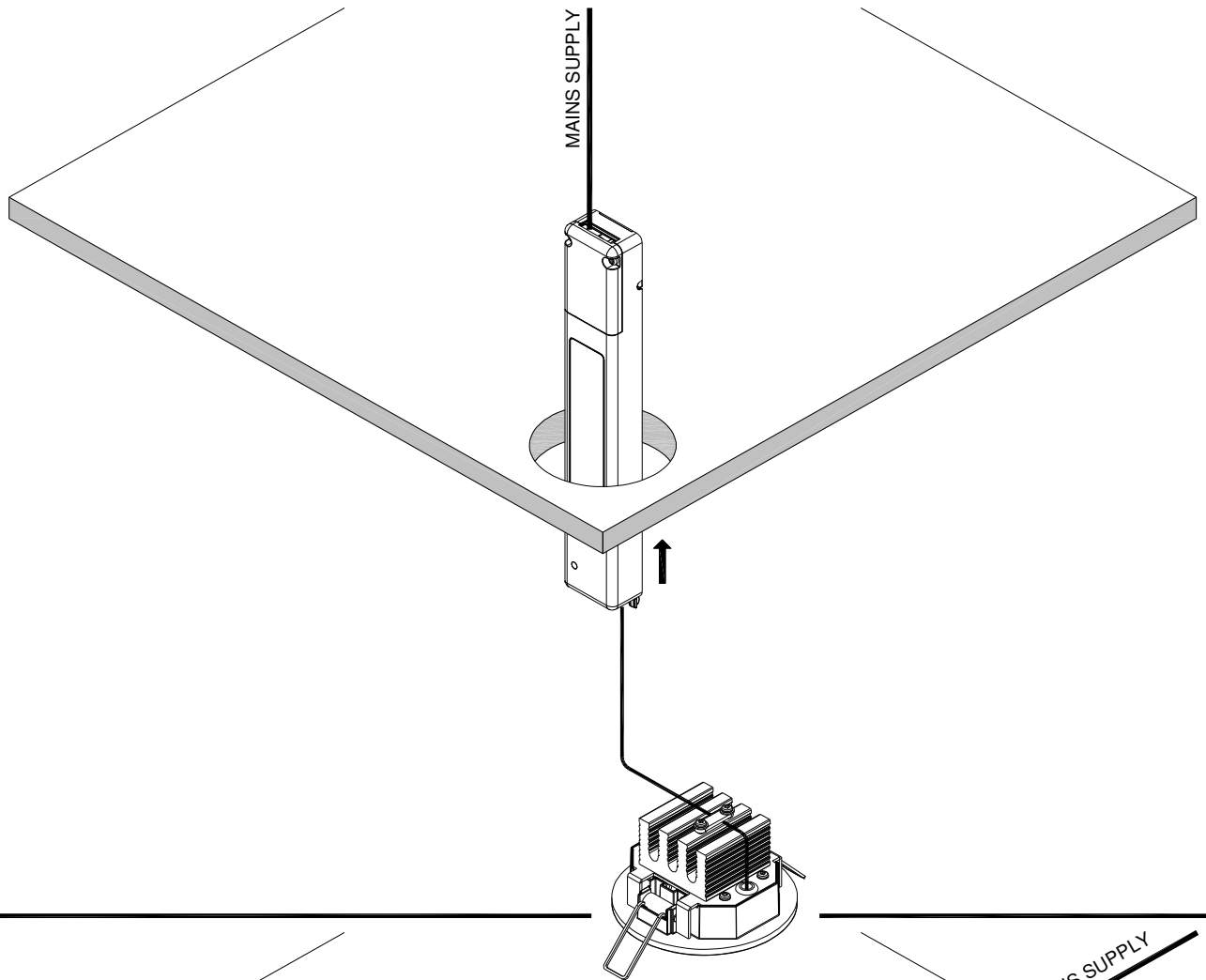
Ceiling Cut-Out



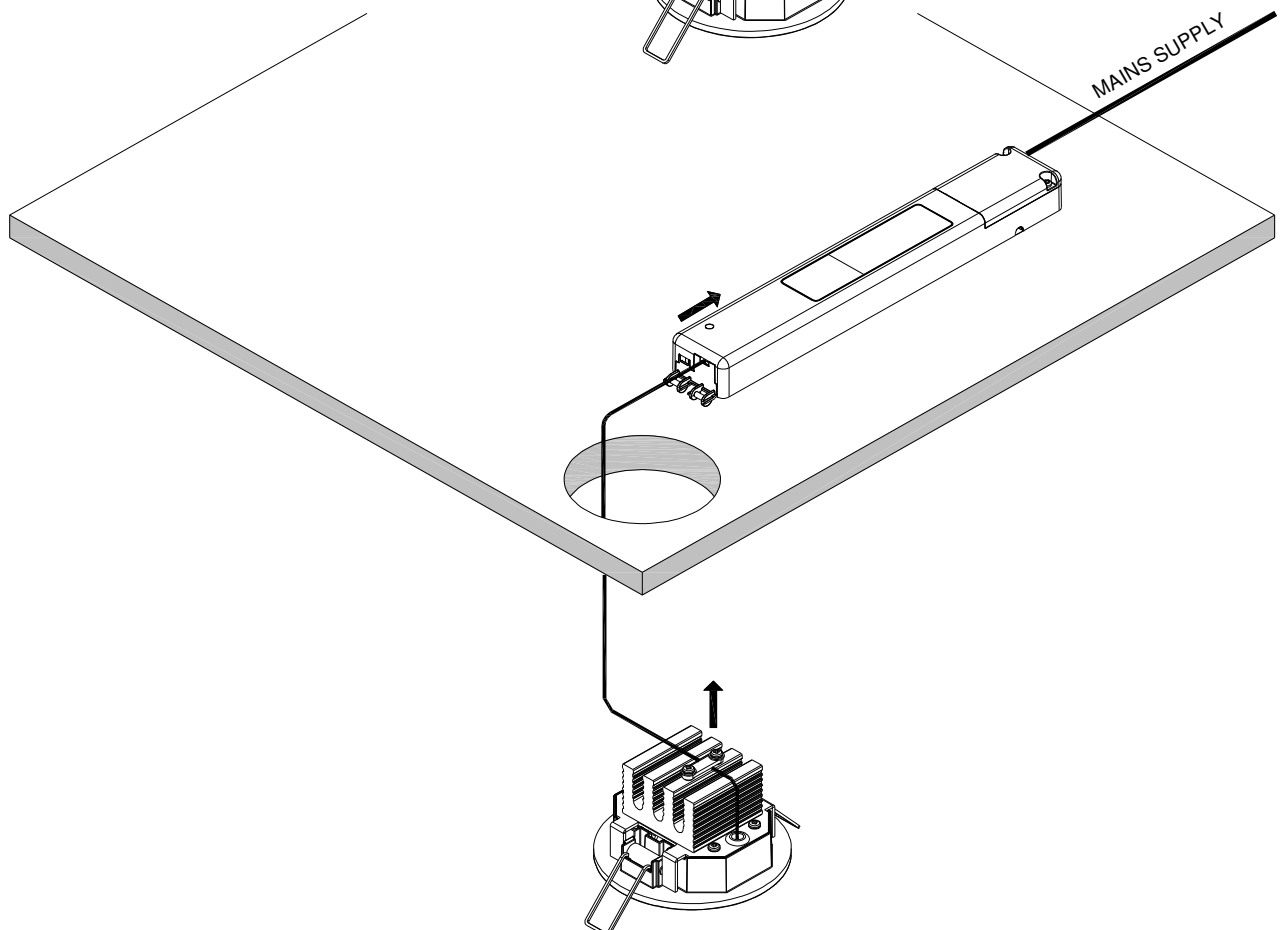
General Installation Method

- 240mm void depth is required (measured from underside of ceiling) if installing through lamp-head hole into a plasterboard ceiling.

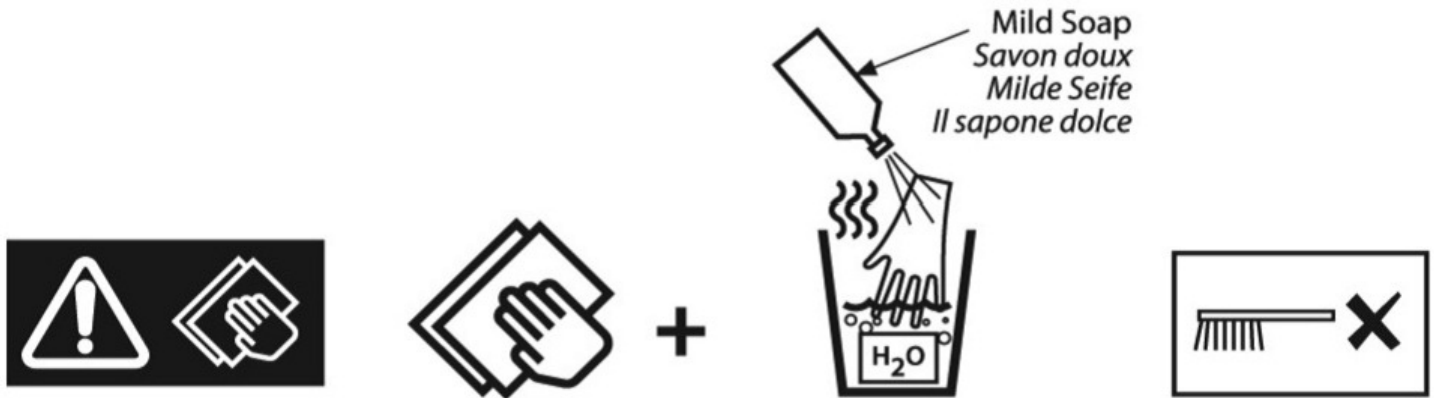
1



2



Cleaning Instructions



Operation and Maintenance

Continual operation at mains voltages in excess of the rated voltage will reduce LED and expected gear life.

This luminaire uses plastic components in its construction and when installed in environments containing chemicals, degradation may occur.

Please contact our Technical Department for advice.

Modifications

Philip Payne products should not be modified.

Any modification may render the product unsafe and will invalidate any Safety/Approval marks.

Philip Payne will not accept any responsibility for any modified products or for any damage caused as a result of their modification.

Monthly and Annual Tests

Monthly and Annual tests should be carried out in accordance with BS EN 50172:2004, 7.2.

Testing can be carried out by using a sub circuit isolator or by switching off the lighting circuit at the circuit breaker (not for AutoTest or DALI versions).

Battery pack shall be replaced if the specified 3 hour duration is not met.

For replacement battery pack contact Philip Payne Ltd.

The light source contained in this luminaire shall only be replaced by the manufacturer or his service agent or a similar qualified person.

Important-Safety

Before carrying out any servicing on this luminaire, ensure that the mains supply is fully isolated.

Disconnect luminaire before insulation testing of the installation.



Philip Payne Ltd

A SUBSIDIARY OF F.W. THORPE PLC
Thornhill Road, Solihull, B91 2HB, England.

Tel: 0121 705 2384

Fax: 0121 711 2469

e-mail: mail@philippayne.co.uk

Website: <http://www.philippayne.co.uk>

Philip Payne Ltd registered in England No. 1361523



ISO9001
FM55077



21LFT074_2




Emergency Downlighter Recessed Ceiling

IP20

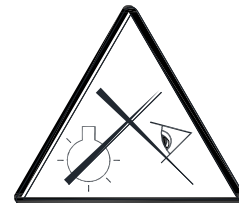
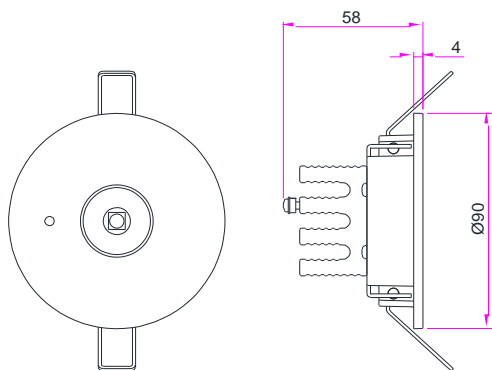
Class 2



TYKH870DA

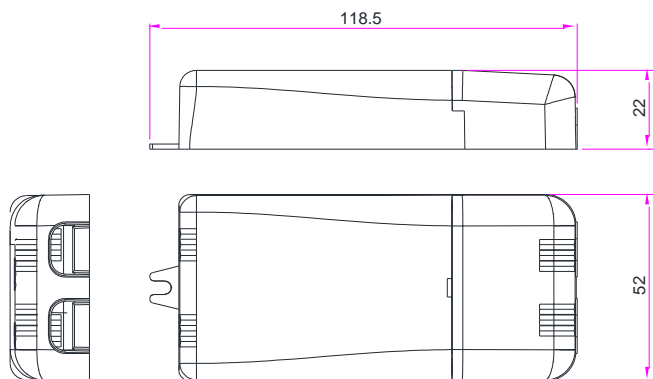
Downlighter features	Supply voltage	Maximum luminaires on a Type B, 10A circuit breaker	Part No.
  	110-240V, AC 50/60Hz 176 - 280 V DC	30 luminaires	TYKH870DA

Lamphead Dimensions



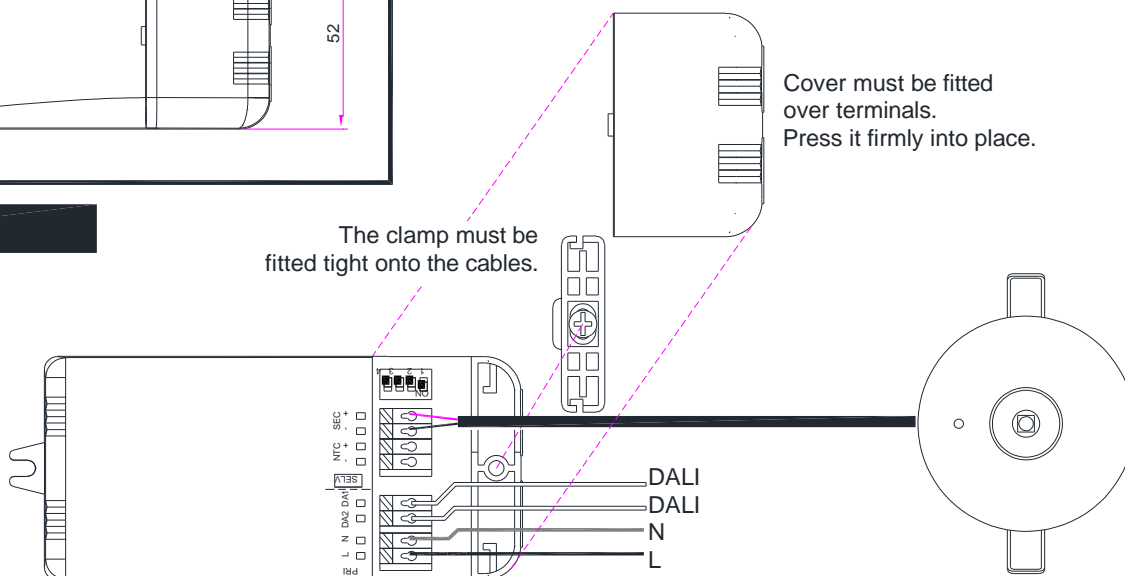
Do not stare at operating lamp.
It may be harmful to the eyes.

Gearbox Dimensions

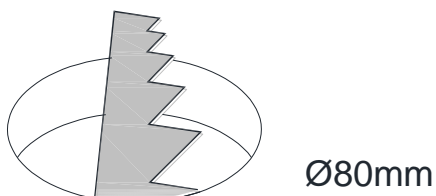


Connections

Basic insulation between L/N and DALI/DALI terminals.

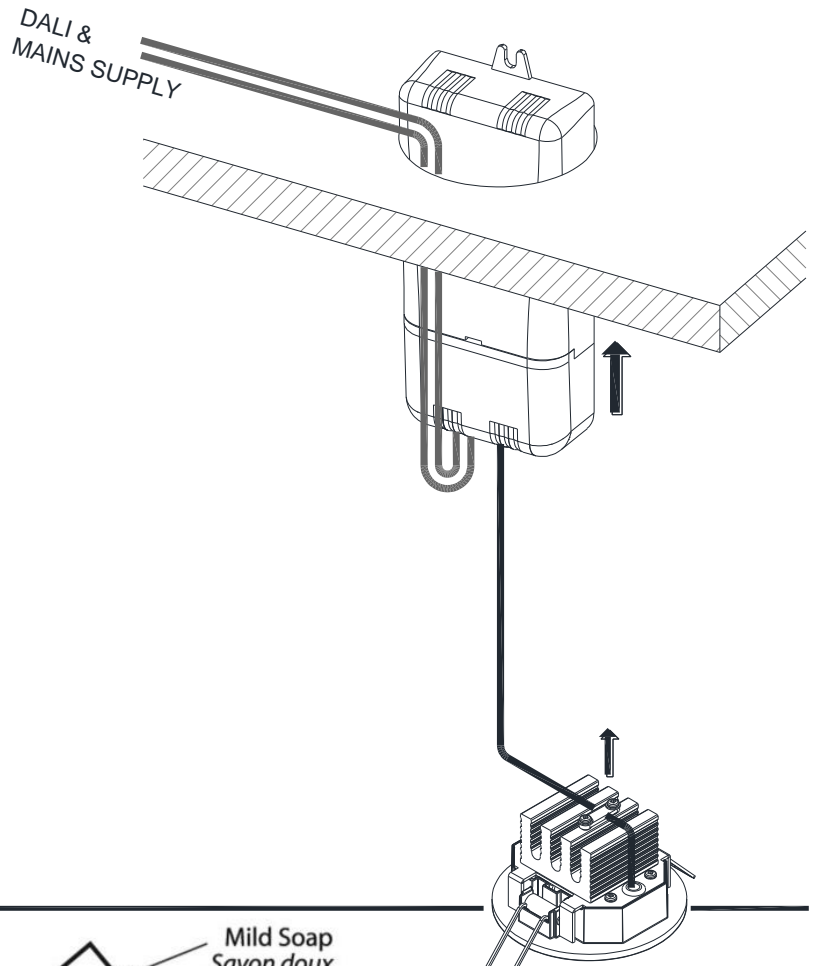


Ceiling Cut-Outs

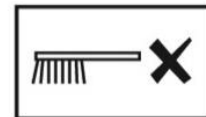


NOTICE TO CONTRACTOR - PLEASE PASS THIS LEAFLET TO THE END-USER.

General Installation Method



Cleaning Instructions



Operation and Maintenance

Continual operation at mains voltages in excess of the rated voltage will reduce LED and expected gear life. This luminaire uses plastic components in its construction and when installed in environments containing chemicals, degradation may occur. Please contact our Technical Department for advice.

Modifications

Philip Payne products should not be modified. Any modification may render the product unsafe and will invalidate any Safety/Approval marks. Philip Payne will not accept any responsibility for any modified products or for any damage caused as a result of their modification.

Monthly and Annual Tests

Monthly and Annual tests should be carried out in accordance with BS EN 50172:2004, 7.2. Testing can be carried out by using a sub circuit isolator or by switching off the lighting circuit at the circuit breaker. Corrective action shall be taken if the specified 3 hour duration is not met.

The light source contained in this luminaire shall only be replaced by the manufacturer or his service agent or a similar qualified person.

Important-Safety

Before carrying out any servicing on this luminaire, ensure that the mains supply is fully isolated. Disconnect luminaire before insulation testing of the installation.



Philip Payne Ltd

A SUBSIDIARY OF F.W. THORPE PLC
 Thornhill Road, Solihull, B91 2HB, England.
 Tel: 0121 705 2384
 Fax: 0121 711 2469
 e-mail: mail@philippayne.co.uk
 Website: http://www.philippayne.co.uk
 Philip Payne Ltd registered in England No. 1361523



ISO9001
 FM55077



21LFT082_2