

TYKH870 SERIES

Emergency Downlighter Recessed Ceiling

Class
2

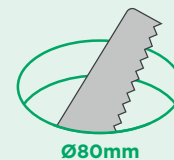
IP
20

Philips
Payne

FEATURES

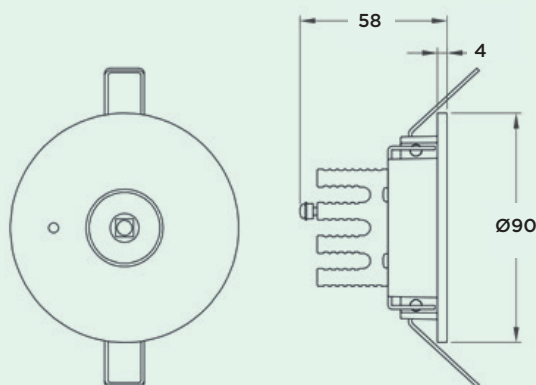
Model	Downlighter features	Supply voltage	Maximum luminaires on a Type B, 10A circuit breaker	Part No.
Non-Maintained	NM3	220-240V AC 50/60 Hz	90 Luminaires	TYKH870LN
Self Test	NM3 AutoTest	220-240V AC 50/60 Hz	90 Luminaires	TYKH870YS
DALI	NM3 DALI	220-240V AC 50/60 Hz	90 Luminaires	TYKH870DS
Central Supply		220-240V AC 50/60 Hz 176-264V DC	30 Luminaires	TYKH870LA
Central Supply DALI	DALI	220-240V AC 50/60 Hz 176 - 280V DC	30 Luminaires	TYKH870DA

CEILING CUT-OUTS



Ø80mm

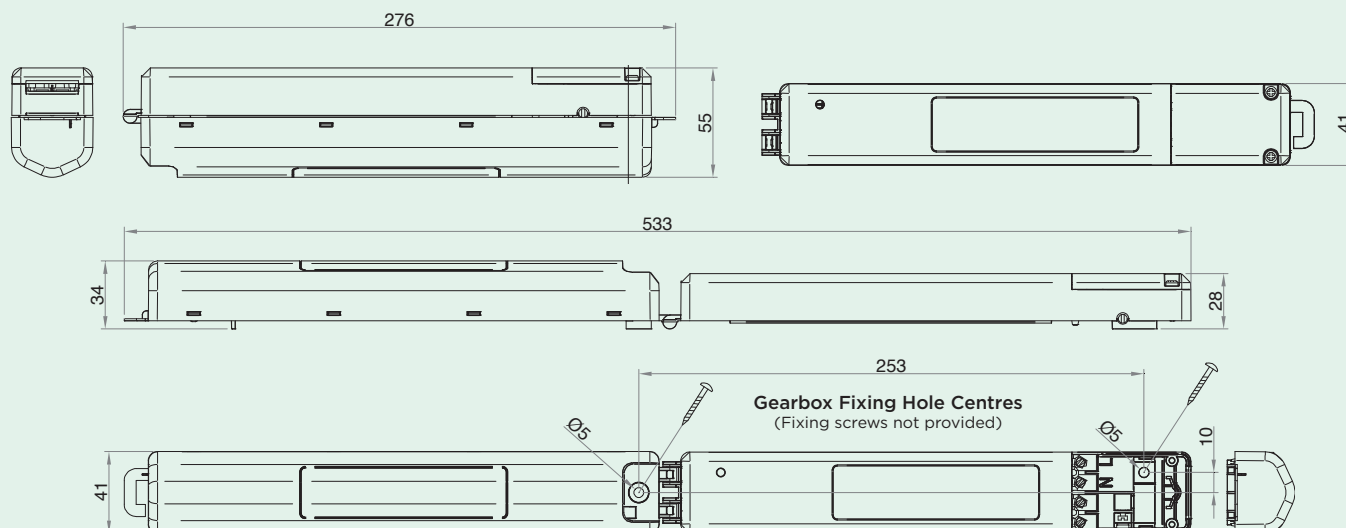
LAMPHEAD DIMENSIONS



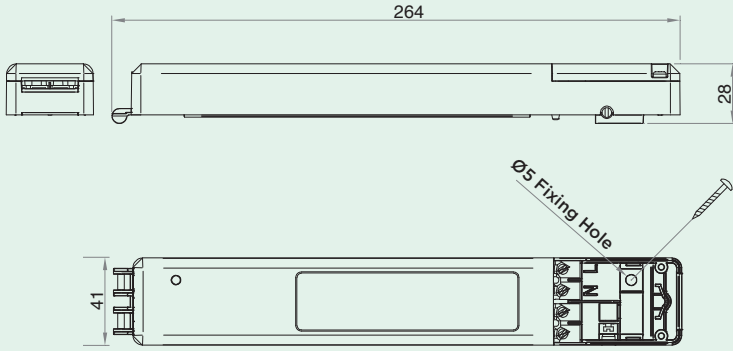
IMPORTANT-SAFETY

Before carrying out any servicing on this luminaire, ensure that the mains supply is fully isolated. Disconnect luminaire before insulation testing of the installation.

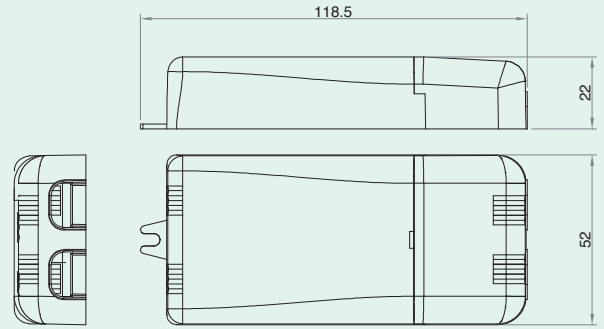
GEARBOX DIMENSIONS - NM3, SELF-TEST AND NM3 DALI



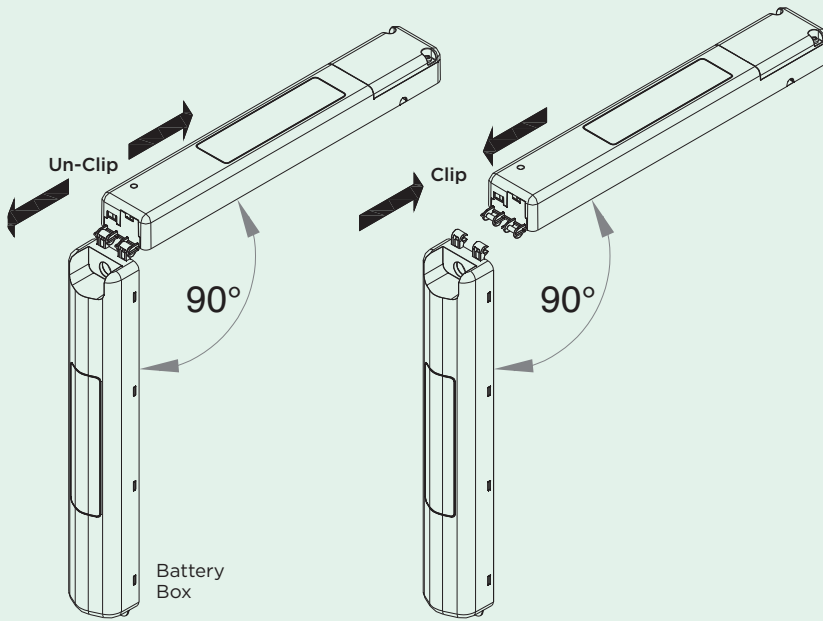
GEARBOX DIMENSIONS - CENTRAL SUPPLY



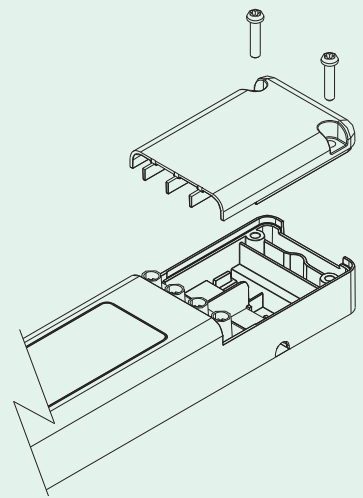
GEARBOX DIMENSIONS - CENTRAL SUPPLY DALI



RECYCLABLE BATTERY BOX - SELF-CONTAINED

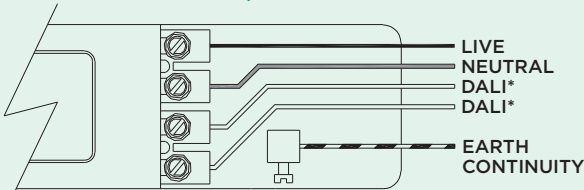


ACCESS TO SUPPLY TERMINALS



SUPPLY CONNECTIONS

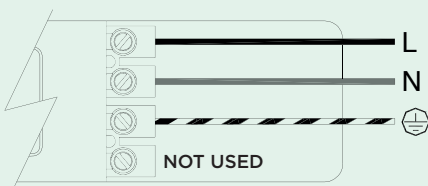
SELF-TEST, NM3 AND NM3 DALI



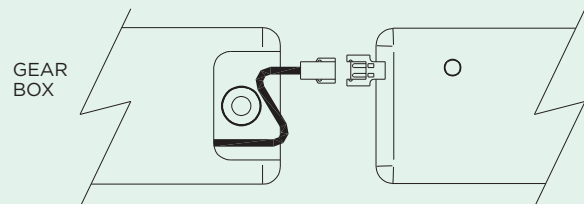
Basic insulation is maintained between the LV supply and control conductors on this luminaire.

*DALI VERSIONS ONLY

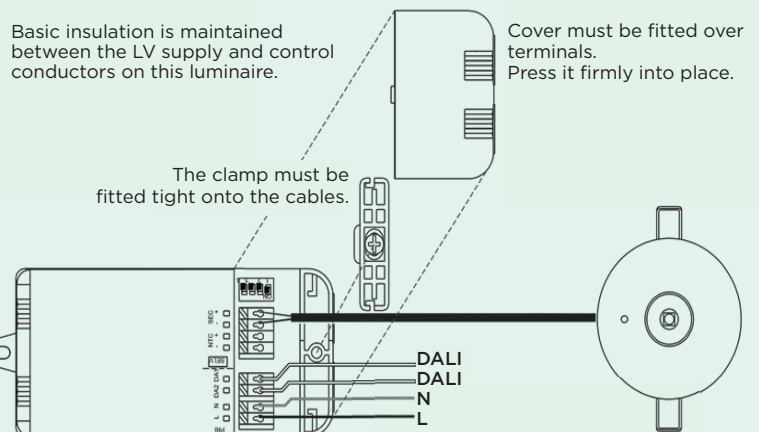
CENTRAL BATTERY



BATTERY CONNECTION - SELF-CONTAINED

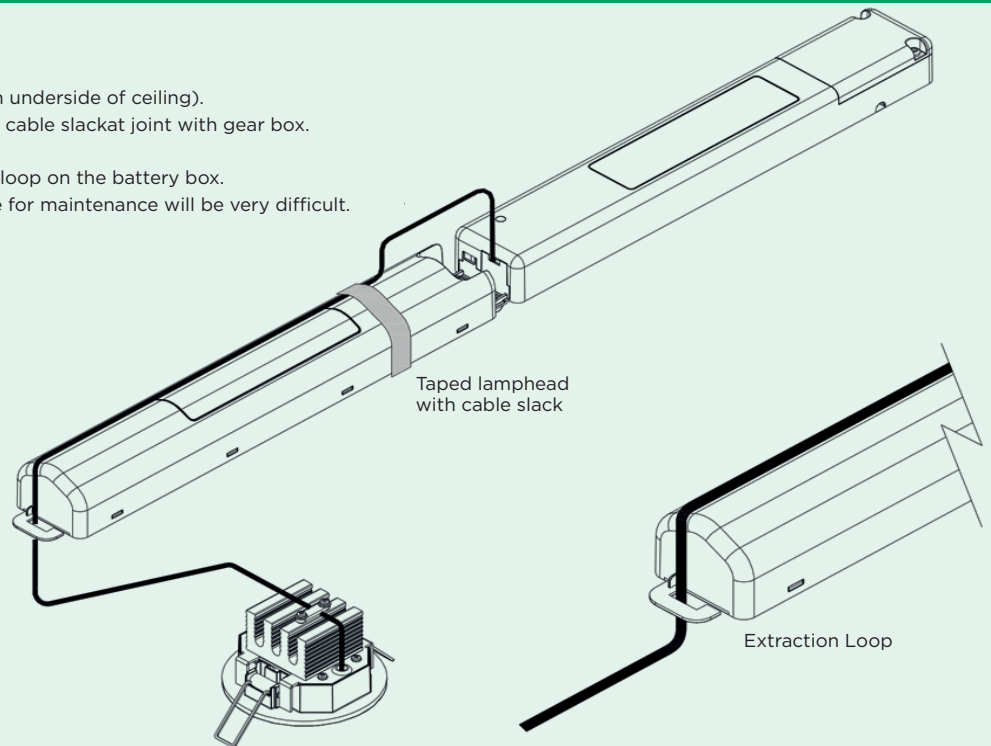


IMPORTANT
DO NOT CONNECT BATTERY BEFORE INSTALLATION IS COMPLETE & READY TO BE COMMISSIONED

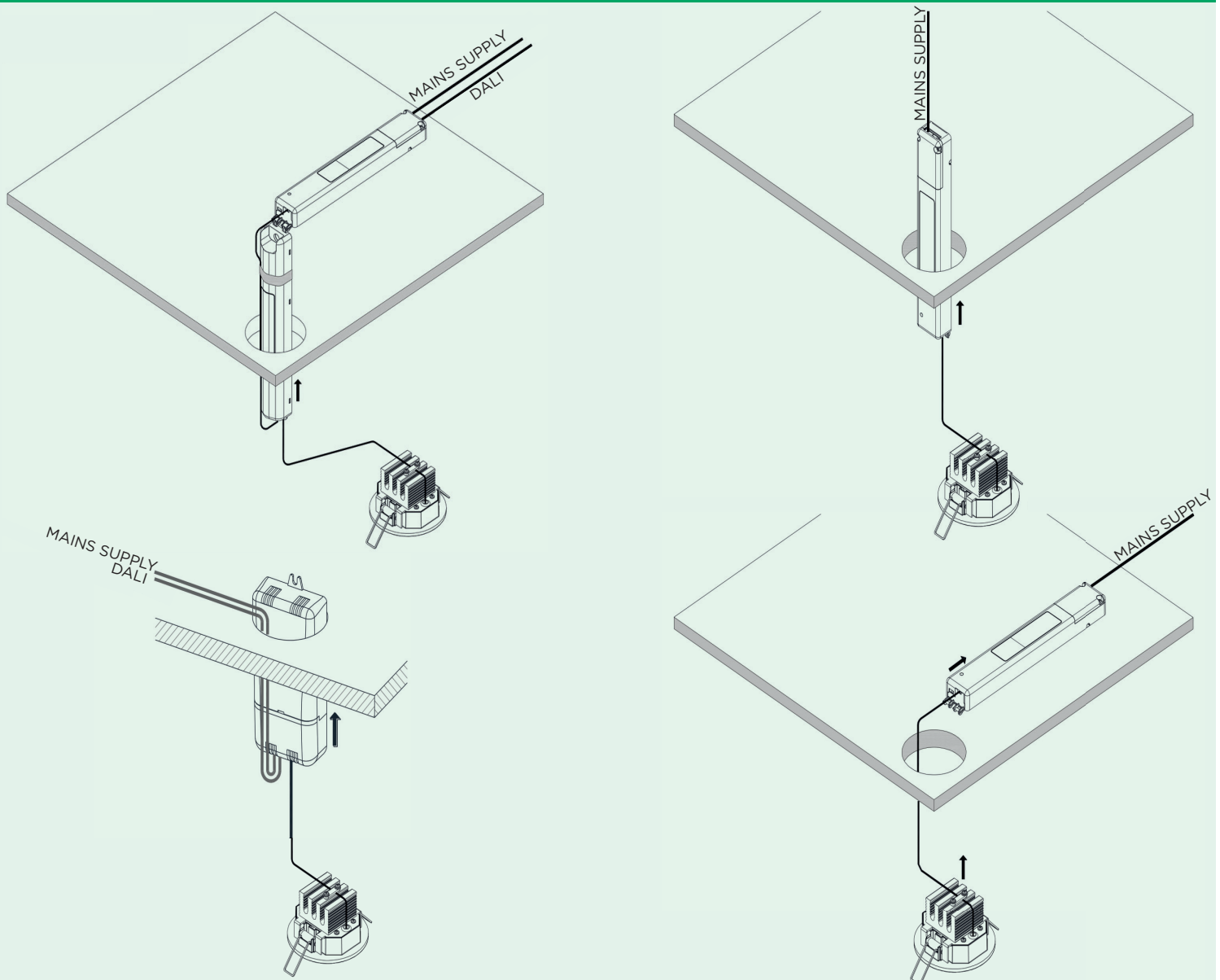


SPECIAL PREPERATION FOR INSTALLATION THROUGH LAMP-HEAD CUT-OUT

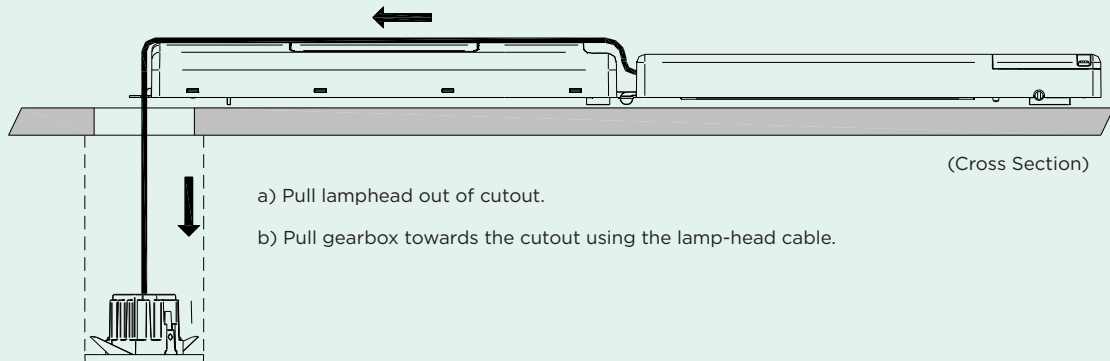
- 240mm void depth required (measured from underside of ceiling).
- Tape lamphead cable to battery box, leaving cable slack at joint with gear box. This allows for easier maintenance
- Feed lamphead cable through the extraction loop on the battery box. If this is not done, extraction of the luminaire will be very difficult.



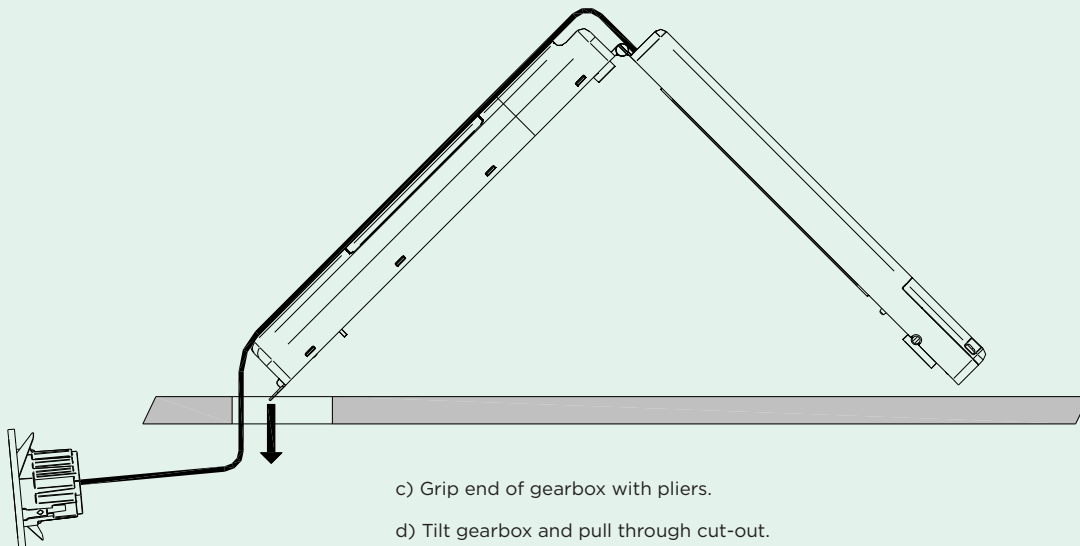
GENERAL INSTALLATION METHOD



TYKH DOWN-LIGHTER EXTRACTION INSTRUCTIONS



- a) Pull lamphead out of cutout.
- b) Pull gearbox towards the cutout using the lamp-head cable.



- c) Grip end of gearbox with pliers.
- d) Tilt gearbox and pull through cut-out.
- e) Do not pull lamp-head cable tight. **The lamp-head cable must remain slack.**
- f) If the lamp-head cable is pulled tight, the gearbox will not bend, and it will be very hard to remove from from the ceiling without causing damage.

WARNING



Do not stare at operating lamp. It may be harmful to the eyes.

LED STATUS INDICATION

Operation	Led Status
Normal mode	Green LED- ON
Commissioning	Green LED- ON
Function test	Green LED- Fast Flash
Duration test	Green LED- Slow flash
Lamp fault/open circuit/short circuit	Red LED - ON
Battery fault	Red LED - Slow flash
Charge fault/Circuit fault	Red LED - Fast flash
Emergency mode	LED OFF
Identification	Red/Green LED - Slow flash

FAULT RECTIFICATION SEQUENCE

1.Fault Identification	Slow Red Flash = Battery Fault	Permanent Red = Lamp Fault	Charge Fault
2. Take Remedial Action	Check Lamp/ Replace Lamp	Check Battery/ Replace Battery	Check Module/ Replace Module
3. Reset Unit	Switch Luminaire unswitched mains off / on		
4. Automatic Reset	Philip Payne AutoTest automatically resets the module to confirm rectification of fault. The device then reverts to standby mode if the fault has been cleared or returns to fault indication if fault persists.		

IMPORTANT

To prevent lamp damage and false triggering of fault status please note the following :-

- Ensure LED's are connected correctly to the luminaire prior to applying power.
- Do not interrupt unswitched supply during self-commissioning period.
- Please allow 51 hours for charge, discharge, charge cycle.

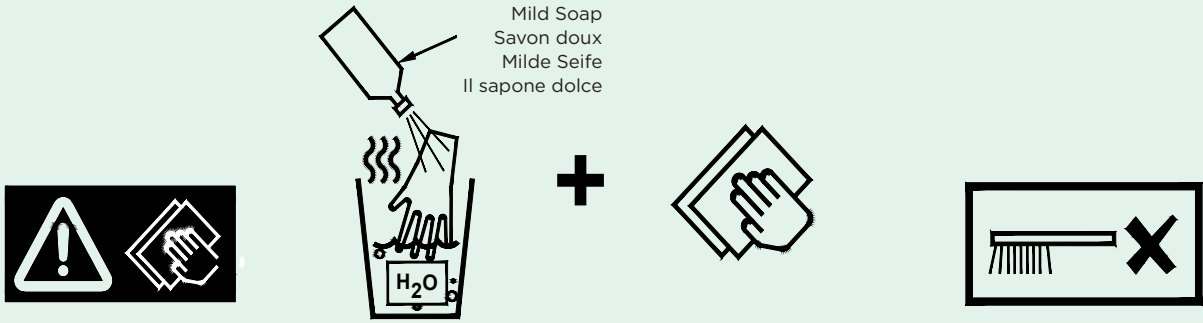
Fitting Reference:		Installation Date:										Location:
MONTH	TEST	EXAMPLE	1ST YEAR	2ND YEAR	3RD YEAR	4TH YEAR	5TH YEAR	6TH YEAR	7TH YEAR	8TH YEAR		
	1. Functional	PASSED										
	2. Functional	PASSED										
	3. Functional	PASSED										
	4. Functional	PASSED										
	5. Functional	PASSED										
	6. Functional	PASSED										
	7. Functional	FAILED- REPLACED LAMP HEAD										
	8. Functional	PASSED										
	9. Functional	PASSED										
	10. Functional	FAILED- REPLACED BATTERY										
	11. Functional	PASSED										
	12. 3-Hour Duration	PASSED										

Each month, or more frequently if a fault is identified, we recommend the installation is checked for status of L.E.D.'s. Corrective action if necessary should be taken and recorded on the above form.

Follow good practice as laid down in relevant legislation such as BS 5266.

TO RESET AFTER A FAULT - SWITCH LUMINAIRE UNSWITCHED
 MAINS OFF / ON.
 SLOW RED LED FLASHING = BATTERY FAULT
 PERMANENT RED LED = LAMP FAULT

CLEANING INSTRUCTIONS



INFORMATION

Operation and Maintenance

Continual operation at mains voltages in excess of the rated voltage will reduce LED and expected gear life.

This luminaire uses plastic components in its construction and when installed in environments containing chemicals, degradation may occur.

Operation outside intended / stated parameters may cause a hazard, and in an extreme case, for example water ingress to electronic circuits, may cause a fire.

Please contact our Technical Department for advice.

Modifications

Philip Payne products should not be modified.

Any modification may render the product unsafe and will invalidate any Safety/Approval marks.

Philip Payne will not accept any responsibility for any modified products or for any damage caused as a result of their modification.

Monthly and Annual Tests

Monthly and Annual tests should be carried out in accordance with BS EN 50172:2004, 7.2.

Testing can be carried out by using a sub circuit isolator or by switching off the lighting circuit at the circuit breaker (not for AutoTest or DALI versions).

Battery pack shall be replaced if the specified 3 hour duration is not met.

For replacement battery pack contact Philip Payne Ltd.

The light source contained in this luminaire shall only be replaced by the manufacturer or his service agent or a similar qualified person.



Philip Payne Ltd, Thornhill House, Thornhill Road, Solihull, B91 2HB
+44 (0)121 705 2384 | mail@philippayne.co.uk | www.philippayne.co.uk



KM587259
BS EN ISO 60598-2-22



FM-55077

