

LANTIS Bulkhead

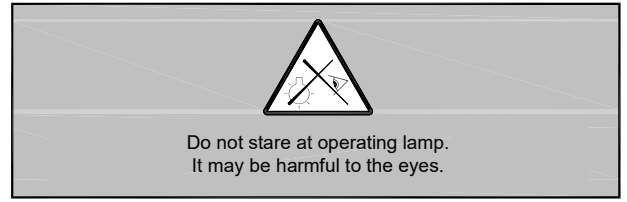
Surface Mounted LED Emergency Luminaire

CLASS 1

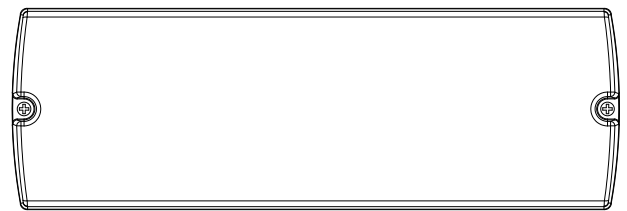
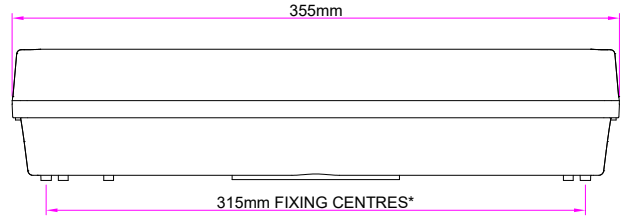
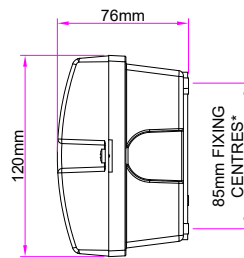
IP65



	CATALOGUE NUMBER	OPERATION	APPROX. KG	SUPPLY VOLTAGE
Spectro XT	LANTBHS545XTW	Non-maintained or maintained operation via separate switched live termination.	1.5 Kg	220-240V AC 50/60Hz
DALI AutoTest	LANTBHS545DLW			



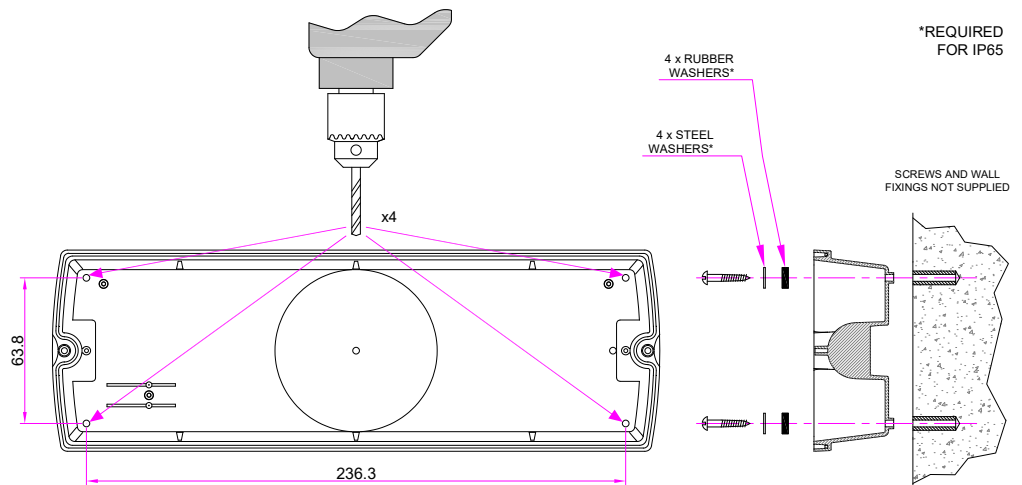
Dimensions



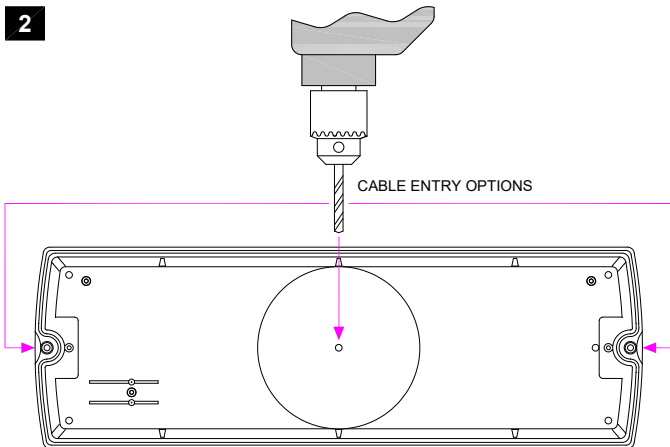
*FIXING HOLES Ø4mm

Installation Method

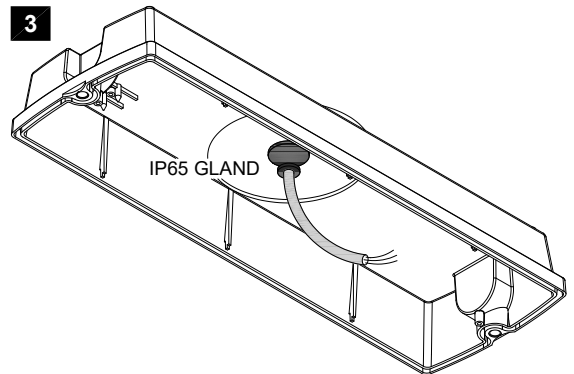
1



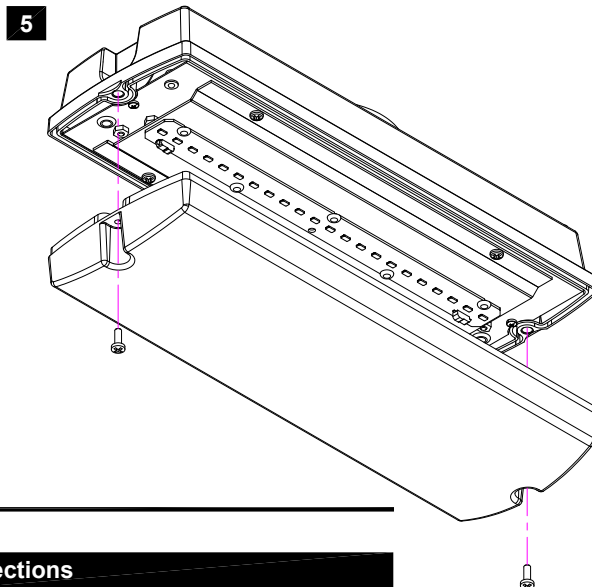
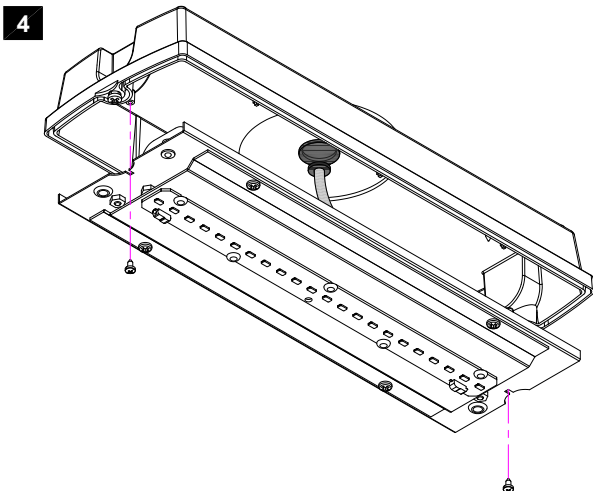
2



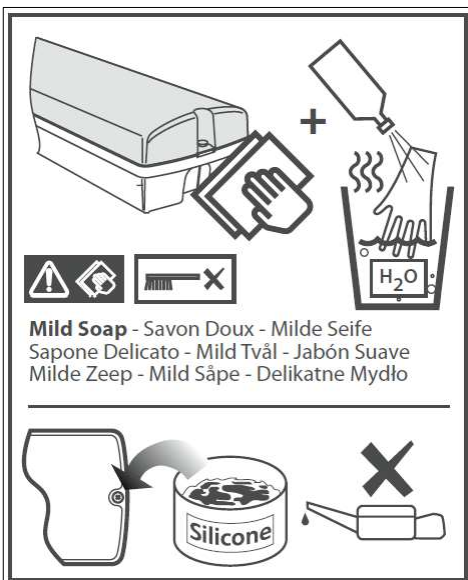
3



NOTICE TO CONTRACTOR - PLEASE PASS THIS LEAFLET TO THE END-USER.

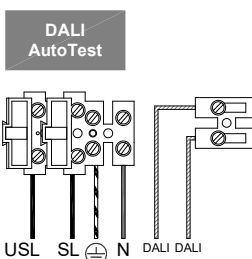
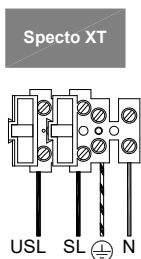


Cleaning Instructions



Connections

(USL=UNSWITCHED LIVE, SL=SWITCHED LIVE)



BASIC INSULATION BETWEEN L/N AND DALI/DALI TERMINALS

DALI connections are not required for Autotest operation

Operation and Maintenance

Continual operation at mains voltages in excess of the rated voltage will reduce LED and expected gear life.
 This luminaire uses plastic components in its construction and when installed in environments containing chemicals, degradation may occur.
 Please contact our Technical Department for advice.

Modifications

Philip Payne products should not be modified.
 Any modification may render the product unsafe and will invalidate any Safety/Approval marks.
 Philip Payne will not accept any responsibility for any modified products or for any damage caused as a result of their modification.

Monthly and Annual Tests

Monthly and Annual tests should be carried out in accordance with BS EN 50172:2004, 7.2.
 Testing can be carried out by using a sub circuit isolator or by switching off the lighting circuit at the circuit breaker (not for AutoTest or DALI versions).
 Battery pack shall be replaced if the specified 3 hour duration is not met.
 For replacement battery pack contact Philip Payne Ltd.
 The light source of this luminaire is not replaceable; when the light source reaches its end of life the whole luminaire shall be replaced.

Important-Safety

**Before carrying out any servicing on this luminaire, ensure that the mains supply is fully isolated.
 Disconnect luminaire before insulation testing of the installation.**



Philip Payne Ltd

A SUBSIDIARY OF F.W. THORPE PLC
 Thornhill Road, Solihull, B91 2HB, England.
 Tel: 0121 705 2384
 Fax: 0121 711 2469
 e-mail: mail@philippayne.co.uk
 Website: http://www.philippayne.co.uk
 Philip Payne Ltd registered in England No. 1361523



ISO9001
 FM55077