

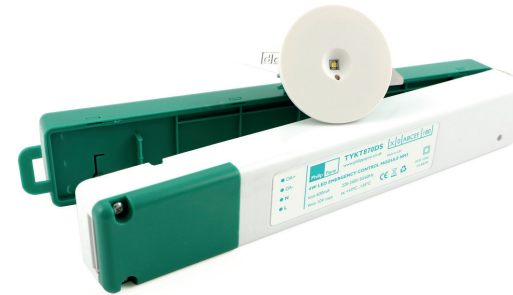
TYKT870



- IP20** **NM/MM**
- 5** **KG**
WARRANTY 0.35
- 230v** **DALI**
- 4W** **IP65**



- EN 60598-1
- EN60598-2-22
- EN55015
- EN61547
- EN61000-3-2



| EXAMPLE PRODUCT CODE | | TYK | T870 | LA | W |
|----------------------|-------------------------------|------|------|----|---|
| FAMILY | TYKE | TYK | | | |
| LENS | HIGH OUTPUT | T870 | | | |
| | IP RATED | P870 | | | |
| CONTROL GEAR | MAINS/CENTRAL BATTERY* | LA | | | |
| | MAINS/CENTRAL BATTERY DALI* | DA | | | |
| | NON-MAINTAINED SELF-CONTAINED | LN | | | |
| | NON-MAINTAINED AUTOTEST | YS | | | |
| | NON-MAINTAINED DALI | DS | | | |
| COLOUR | GREY | G | | | |
| | BLACK | K | | | |
| | WHITE | W | | | |

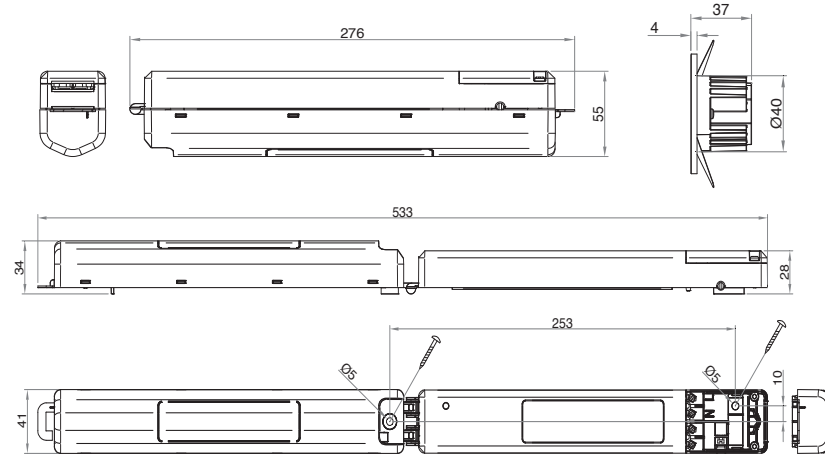
For more information on colours, please go to the **Finishes Page**.

*For input voltages please refer to our installation leaflets.

TYKT870



KM587259
BS EN ISO 60598-2-22



TYKT870

| MOUNTING HEIGHT | 0.5 LUX | | | | 1 LUX | | | |
|-----------------|---------|------|------|-----|-------|------|------|-----|
| | 2.0 | 3.4 | 7.0 | 7.0 | 3.4 | 3.6 | 8.0 | 8.0 |
| 2.5 | 3.9 | 8.0 | 8.0 | 3.9 | 4.3 | 9.7 | 9.7 | 4.3 |
| 3.0 | 4.4 | 9.2 | 9.2 | 4.4 | 4.9 | 11.0 | 11.0 | 4.9 |
| 3.5 | 4.8 | 10.6 | 10.6 | 4.8 | 5.3 | 12.2 | 12.2 | 5.3 |
| 4.0 | 5.2 | 11.6 | 11.6 | 5.2 | 5.8 | 13.3 | 13.3 | 5.8 |
| 4.5 | 5.6 | 12.6 | 12.6 | 5.6 | 6.1 | 14.4 | 14.4 | 6.1 |

TYKP870

| MOUNTING HEIGHT | 0.5 LUX | | | | 1 LUX | | | |
|-----------------|---------|------|------|-----|-------|------|------|-----|
| | 2.0 | 3.4 | 7.0 | 7.0 | 3.4 | 3.6 | 8.0 | 8.0 |
| 2.5 | 3.9 | 8.0 | 8.0 | 3.9 | 4.3 | 9.7 | 9.7 | 4.3 |
| 3.0 | 4.4 | 9.2 | 9.2 | 4.4 | 4.9 | 11.0 | 11.0 | 4.9 |
| 3.5 | 4.8 | 10.6 | 10.6 | 4.8 | 5.3 | 12.2 | 12.2 | 5.3 |
| 4.0 | 5.2 | 11.6 | 11.6 | 5.2 | 5.8 | 13.3 | 13.3 | 5.8 |
| 4.5 | 5.6 | 12.6 | 12.6 | 5.6 | 6.1 | 14.4 | 14.4 | 6.1 |

- IP20
- NM/MM
- 5 WARRANTY
- 0.35 KG
- 230v
- DALI
- 4W
- IP65



- EN 60598-1
- EN60598-2-22
- EN55015
- EN61547
- EN61000-3-2