





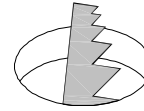
# Emergency Downlighter Recessed Ceiling

IP20  
IP65\*

Class 2  TYKE800 Series

Downlighter features	Supply voltage	Maximum luminaires on a Type B, 10A circuit breaker	Part No.
 NM3	220-240V AC 50/60 Hz	90 luminaires	TYKA860LN TYKE860LN TYKC860LN TYKP870LN* TYKT870LN
 NM3 AutoTest	220-240V AC 50/60 Hz	90 luminaires	TYKA860YS TYKE860YS TYKC860YS TYKP870YS* TYKT870YS
 NM3 	220-240V AC 50/60 Hz	90 luminaires	TYKA860DS TYKE860DS TYKC860DS TYKP870DS* TYKT870DS

## Ceiling Cut-Outs



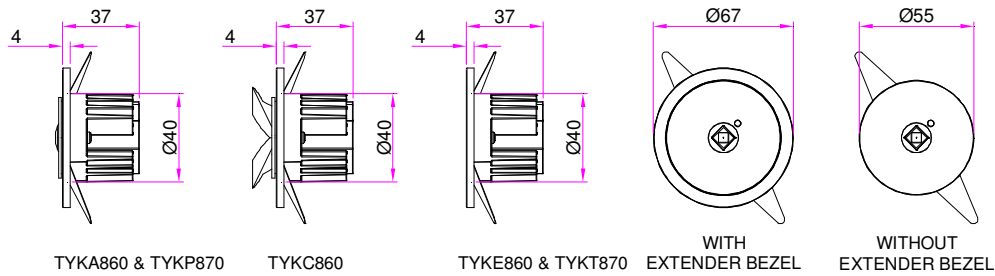
Ø45mm - Without extended bezel (false ceiling only).

Ø57mm - With extender bezel - required for blind installation into plasterboard type ceiling.

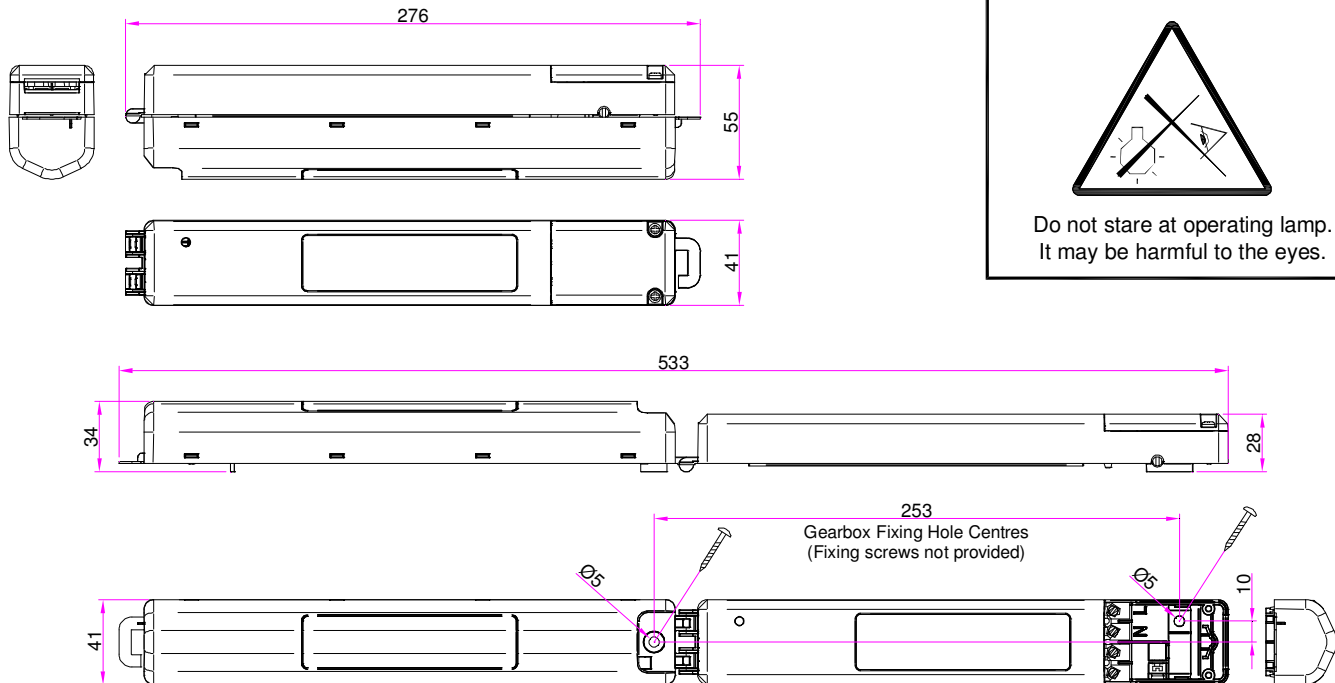
\*TYKP870 IP65 rated below ceiling only.

Contactors must apply silicone sealant between bezels and underside of ceiling to achieve IP65 below ceiling.  
(All other TYKE variants are IP20 above and below ceiling).

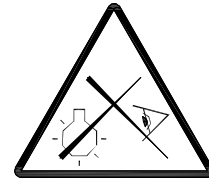
## Lamphead Dimensions



## Gearbox Dimensions



## WARNING



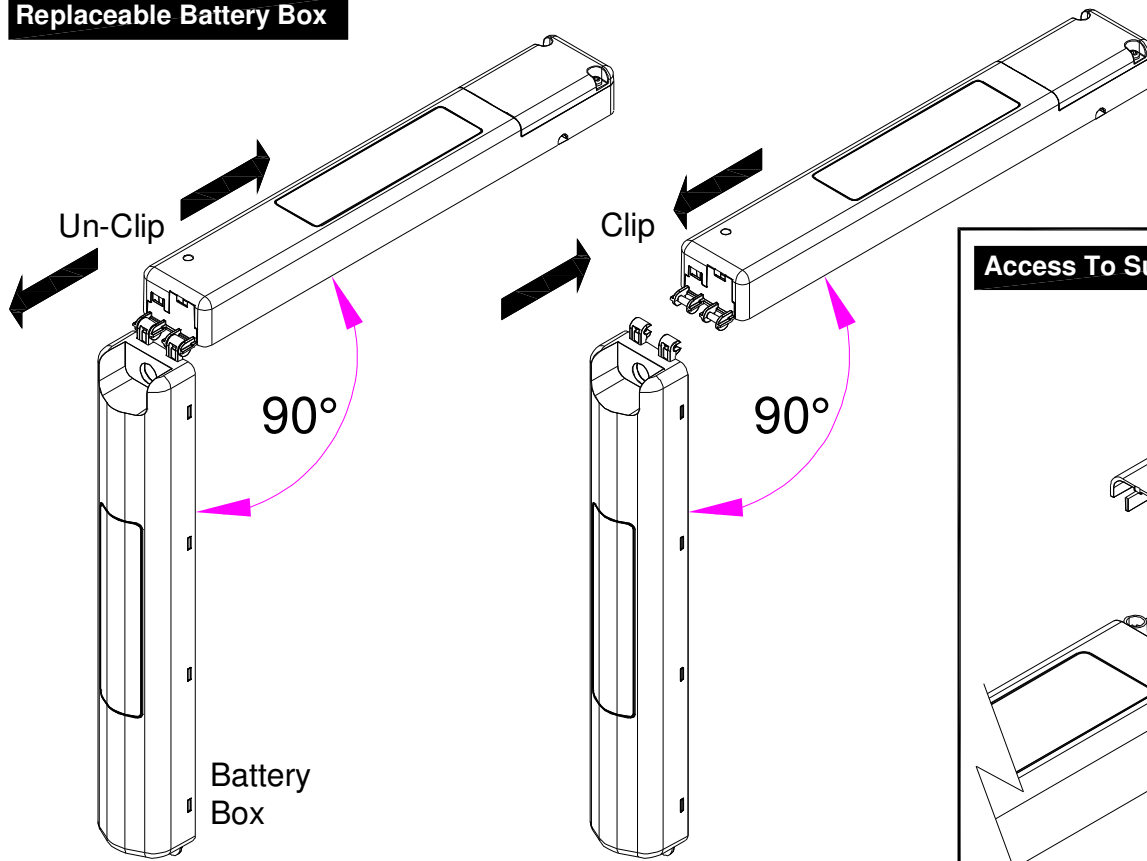
Do not stare at operating lamp.  
It may be harmful to the eyes.

## Important-Safety

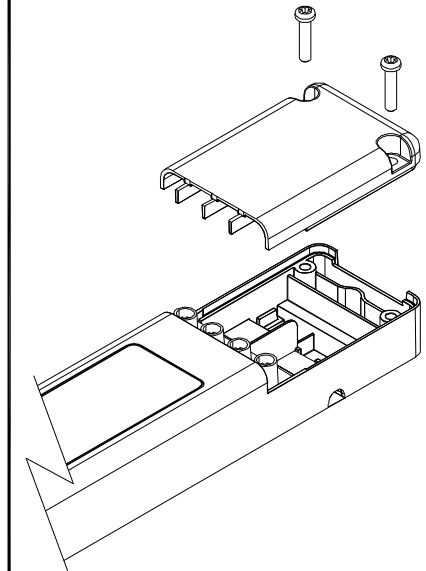
Before carrying out any servicing on this luminaire, ensure that the mains supply is fully isolated.  
Disconnect luminaire before insulation testing of the installation.

Notice to contractor - Please pass this leaflet to the end-user.

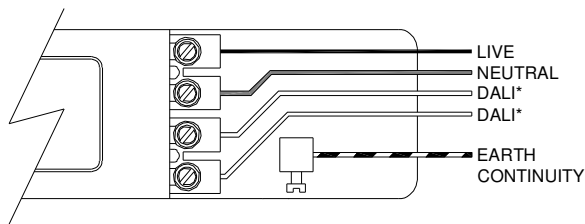
## Replaceable Battery Box



## Access To Supply Terminals

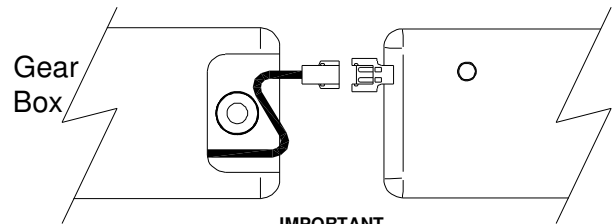


## Supply Connections



\*DALI VERSIONS ONLY

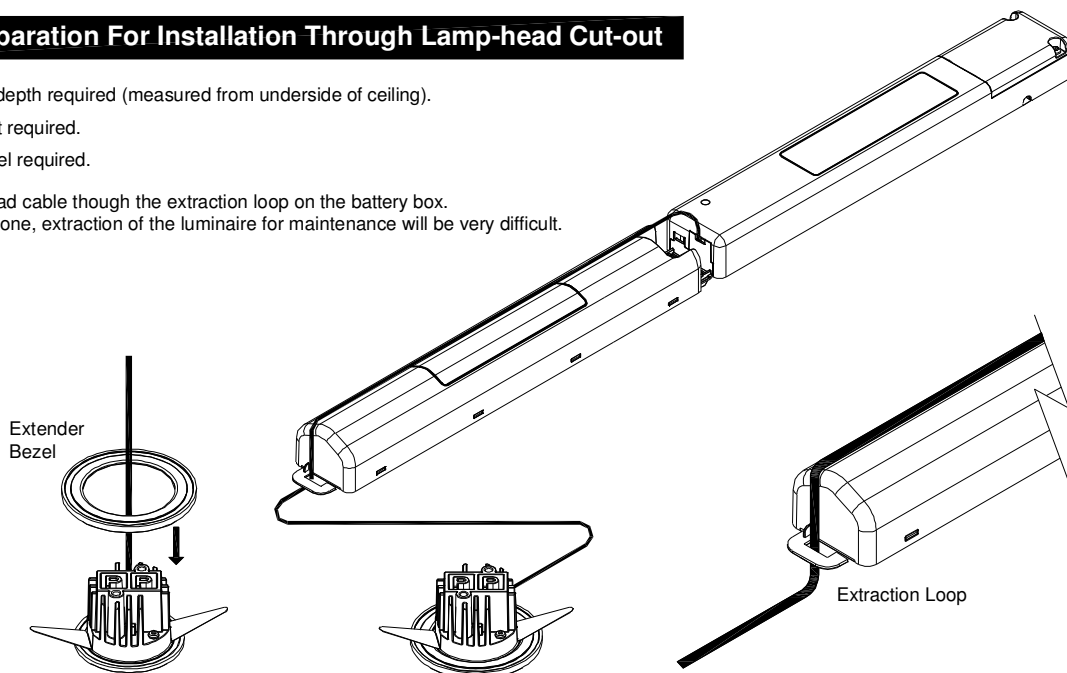
## Battery Connection



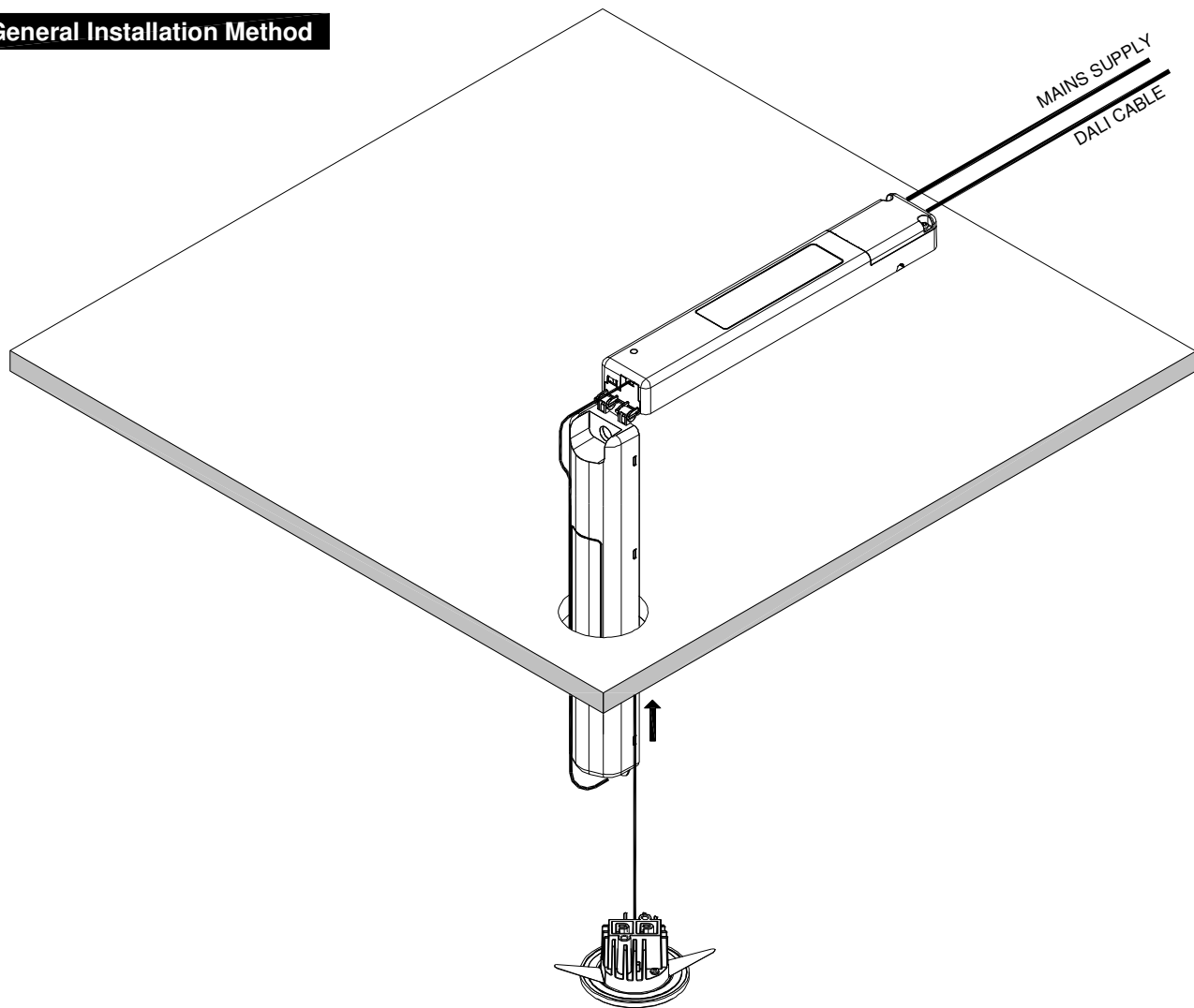
**IMPORTANT**  
DO NOT CONNECT BATTERY BEFORE INSTALLATION IS COMPLETE & READY TO BE COMMISSIONED.

## Special Preparation For Installation Through Lamp-head Cut-out

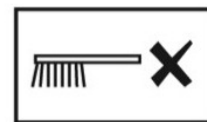
- 240mm void depth required (measured from underside of ceiling).
- 57mm cut-out required.
- Extender bezel required.
- Feed lamphead cable through the extraction loop on the battery box. If this is not done, extraction of the luminaire for maintenance will be very difficult.



## General Installation Method



## Cleaning Instructions



## Operation and Maintenance

Continual operation at mains voltages in excess of the rated voltage will reduce LED and expected gear life.

This luminaire uses plastic components in its construction and when installed in environments containing chemicals, degradation may occur. Please contact our Technical Department for advice.

## Modifications

Philip Payne products should not be modified.

Any modification may render the product unsafe and will invalidate any Safety/Approval marks.

Philip Payne will not accept any responsibility for any modified products or for any damage caused as a result of their modification.

## Monthly and Annual Tests

Monthly and Annual tests should be carried out in accordance with BS EN 50172:2004, 7.2.

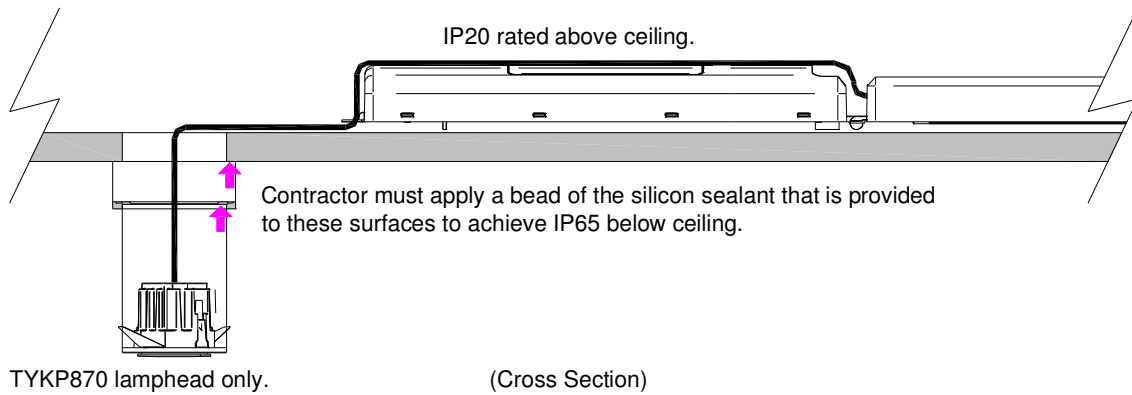
Testing can be carried out by using a sub circuit isolator or by switching off the lighting circuit at the circuit breaker (not for AutoTest or DALI versions).

Battery pack shall be replaced if the specified 3 hour duration is not met.

For replacement battery pack contact Philip Payne Ltd.

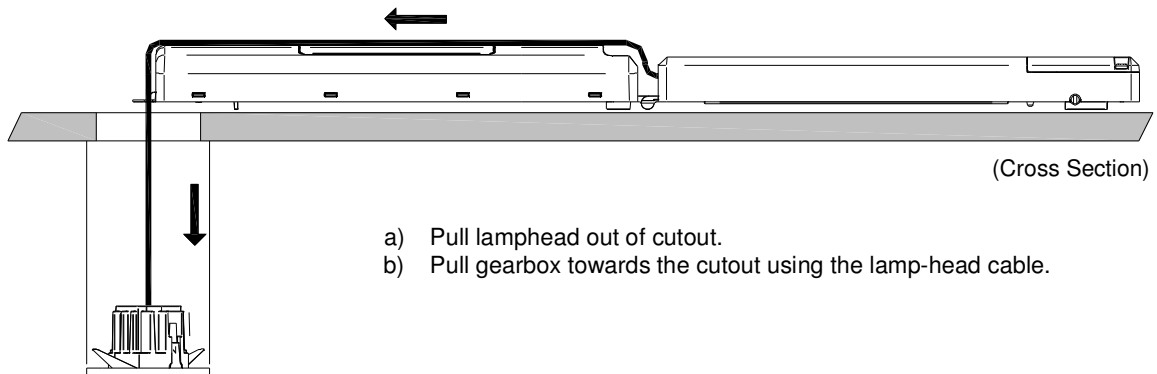
The light source of this luminaire is not replaceable; when the light source reaches its end of life the whole luminaire shall be replaced.

## Installation with IP65 Below Ceiling

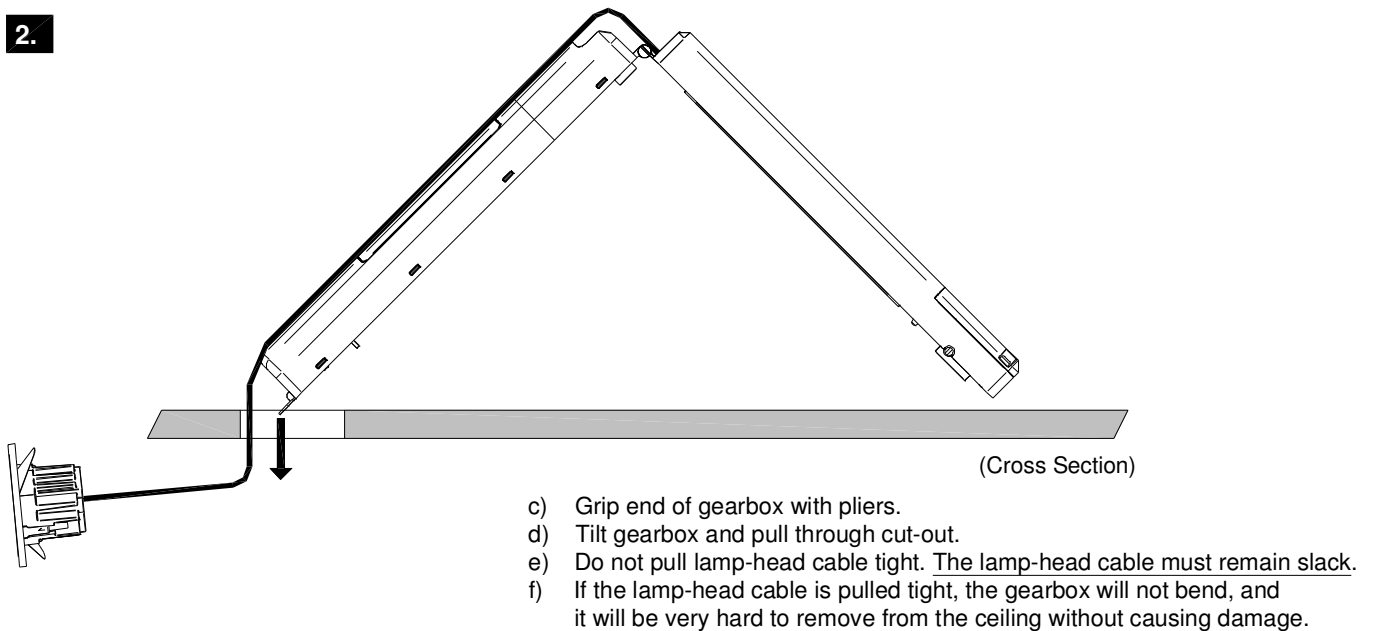


## TYKE Down-lighter Extraction Instructions

1.



2.



### Philip Payne Ltd

A SUBSIDIARY OF F.W. THORPE PLC  
Thornhill Road, Solihull, B91 2HB, England.  
Tel: 0121 705 2384  
Fax: 0121 711 2469  
e-mail: mail@philippayne.co.uk  
Website: <http://www.philippayne.co.uk>  
Philip Payne Ltd registered in England No. 1361523



ISO9001  
FM55077





21LFT052\_8

# Emergency Downlighter Recessed Ceiling

IP20  
IP65\*

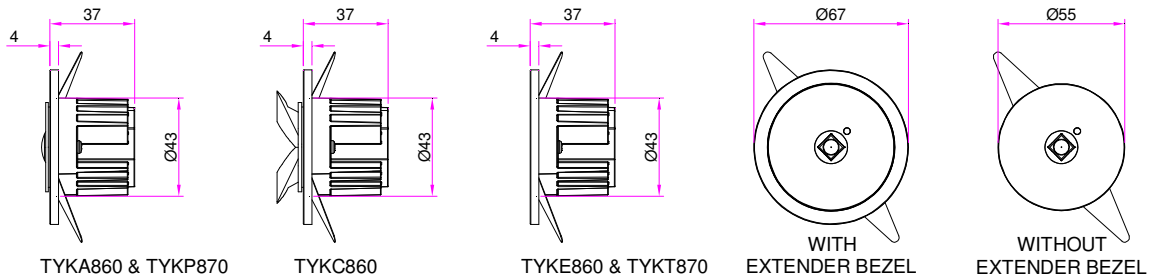
Class 2  TYKE800 Series

Downlighter features	Supply voltage	Maximum luminaires on a Type B, 10A circuit breaker	Part No.
  DALI	110-240V, AC 50/60Hz 176 - 280 V DC	30 luminaires	TYKA860DA TYKE860DA TYKC860DA TYKP870DA* TYKT870DA

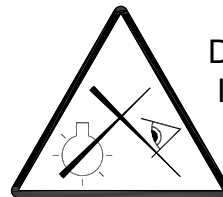
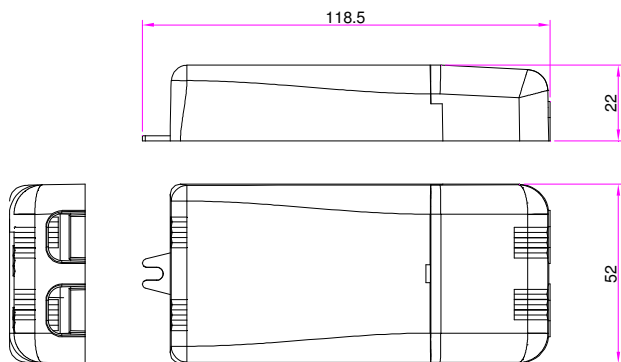
\*TYKP870 IP65 rated below ceiling only.

Contactors must apply silicone sealant between bezels and underside of ceiling to achieve IP65 below ceiling. (All other TYKE variants are IP20 above and below ceiling).

## Lamphead Dimensions

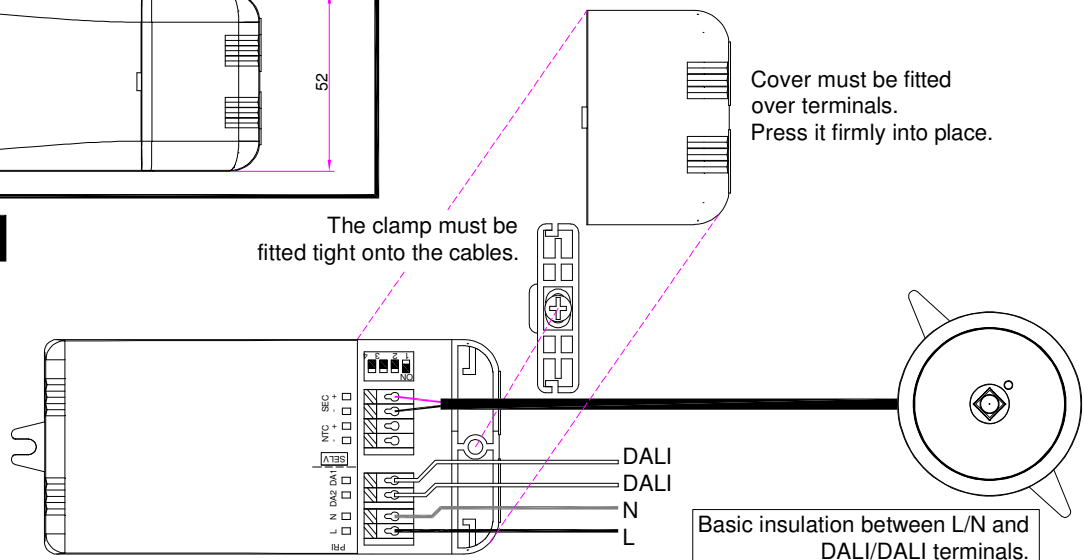


## Gearbox Dimensions

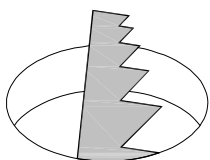


Do not stare at operating lamp.  
It may be harmful to the eyes.

## Connections



## Ceiling Cut-Outs



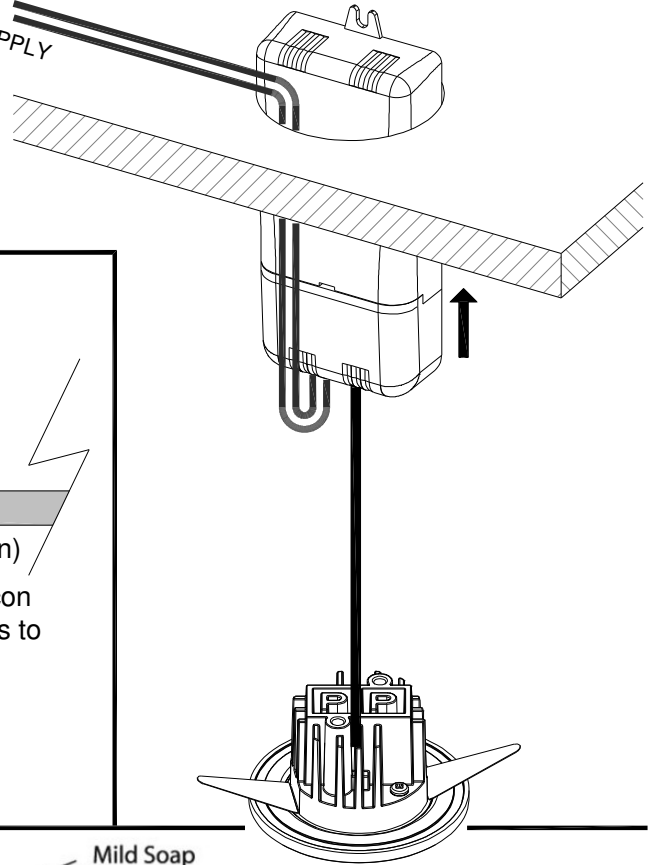
Ø45mm - Without extended bezel (false ceiling only).

Ø57mm - With extender bezel - required for blind installation into plasterboard type ceiling.

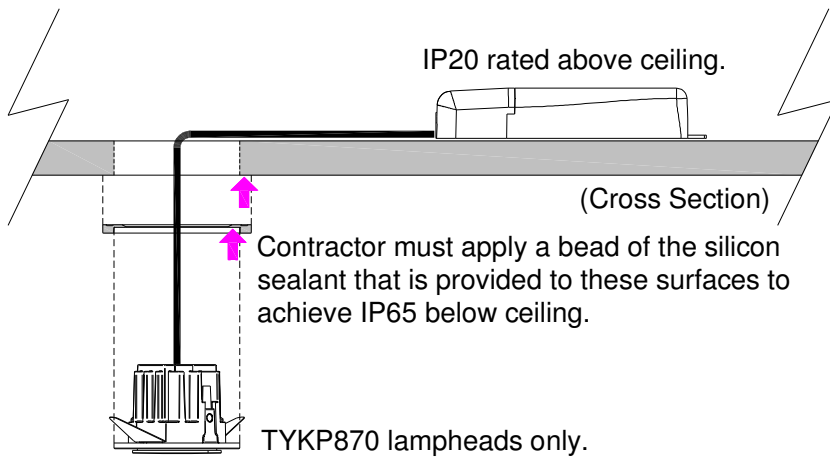
**NOTICE TO CONTRACTOR - PLEASE PASS THIS LEAFLET TO THE END-USER.**

## General Installation Method

DALI &  
MAINS SUPPLY



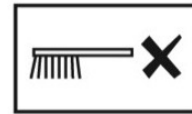
## Installation with IP65 Below Ceiling



## Cleaning Instructions



+



### Operation and Maintenance

Continual operation at mains voltages in excess of the rated voltage will reduce LED and expected gear life.

This luminaire uses plastic components in its construction and when installed in environments containing chemicals, degradation may occur. Please contact our Technical Department for advice.

### Modifications

Philip Payne products should not be modified.

Any modification may render the product unsafe and will invalidate any Safety/Approval marks.

Philip Payne will not accept any responsibility for any modified products or for any damage caused as a result of their modification.

### Monthly and Annual Tests

Monthly and Annual tests should be carried out in accordance with BS EN 50172:2004, 7.2.

Testing can be carried out by using a sub circuit isolator or by switching off the lighting circuit at the circuit breaker.

Corrective action shall be taken if the specified 3 hour duration is not met.

The light source of this luminaire is not replaceable; when the light source reaches its end of life the whole luminaire shall be replaced.

## Important-Safety

Before carrying out any servicing on this luminaire, ensure that the mains supply is fully isolated.

Disconnect luminaire before insulation testing of the installation.



### Philip Payne Ltd

A SUBSIDIARY OF F.W. THORPE PLC  
Thornhill Road, Solihull, B91 2HB, England.

Tel: 0121 705 2384

Fax: 0121 711 2469

e-mail: mail@philippayne.co.uk

Website: <http://www.philippayne.co.uk>

Philip Payne Ltd registered in England No. 1361523



ISO9001  
FM55077




21LFT055\_5

# Emergency Downlighter Recessed Ceiling

IP20  
IP65\*

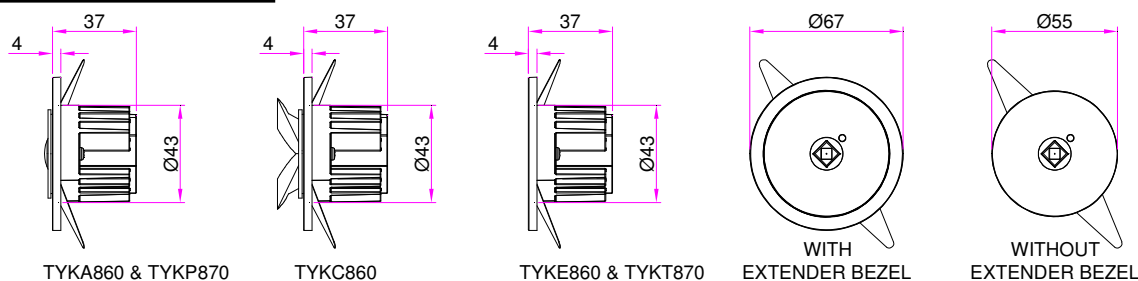
Class 1  TYKE800 Series

Downlighter features	Supply voltage	Maximum luminaires on a Type B, 10A circuit breaker	Part No.
	220-240V, AC 50/60Hz 176 - 276V DC	30 luminaires	TYKA860LA TYKE860LA TYKC860LA TYKP870LA* TYKT870LA

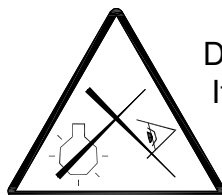
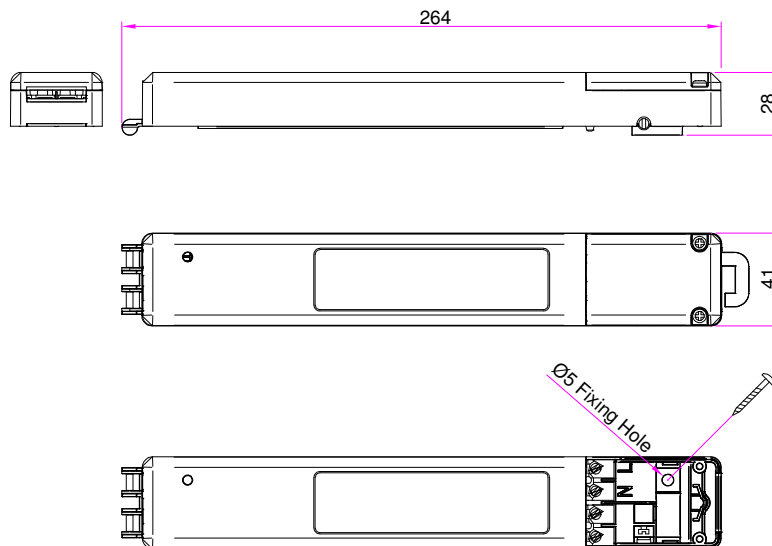
\*TYKP870 IP65 rated below ceiling only.

Contactors must apply silicone sealant between bezels and underside of ceiling to achieve IP65 below ceiling.  
(All other TYKE variants are IP20 above and below ceiling).

## Lamphead Dimensions



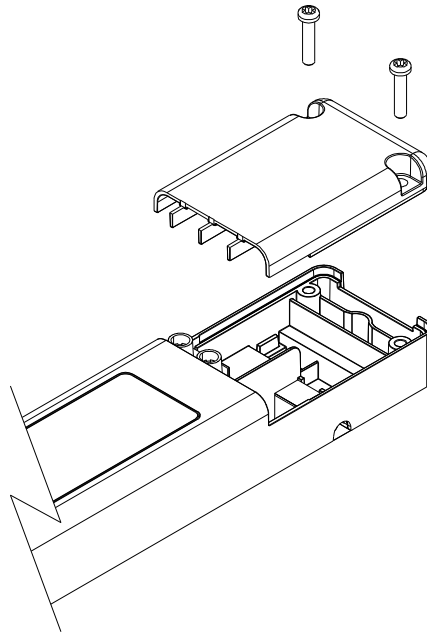
## Gearbox Dimensions



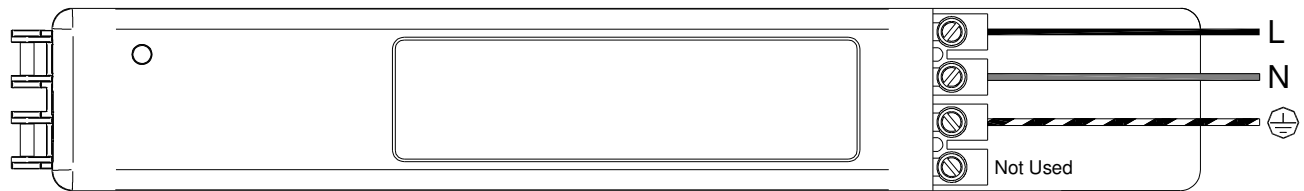
Do not stare at operating lamp.  
It may be harmful to the eyes.

**NOTICE TO CONTRACTOR - PLEASE PASS THIS LEAFLET TO THE END-USER.**

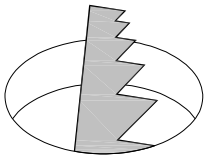
## Access To Supply Terminals



## Supply Connections



## Ceiling Cut-Outs



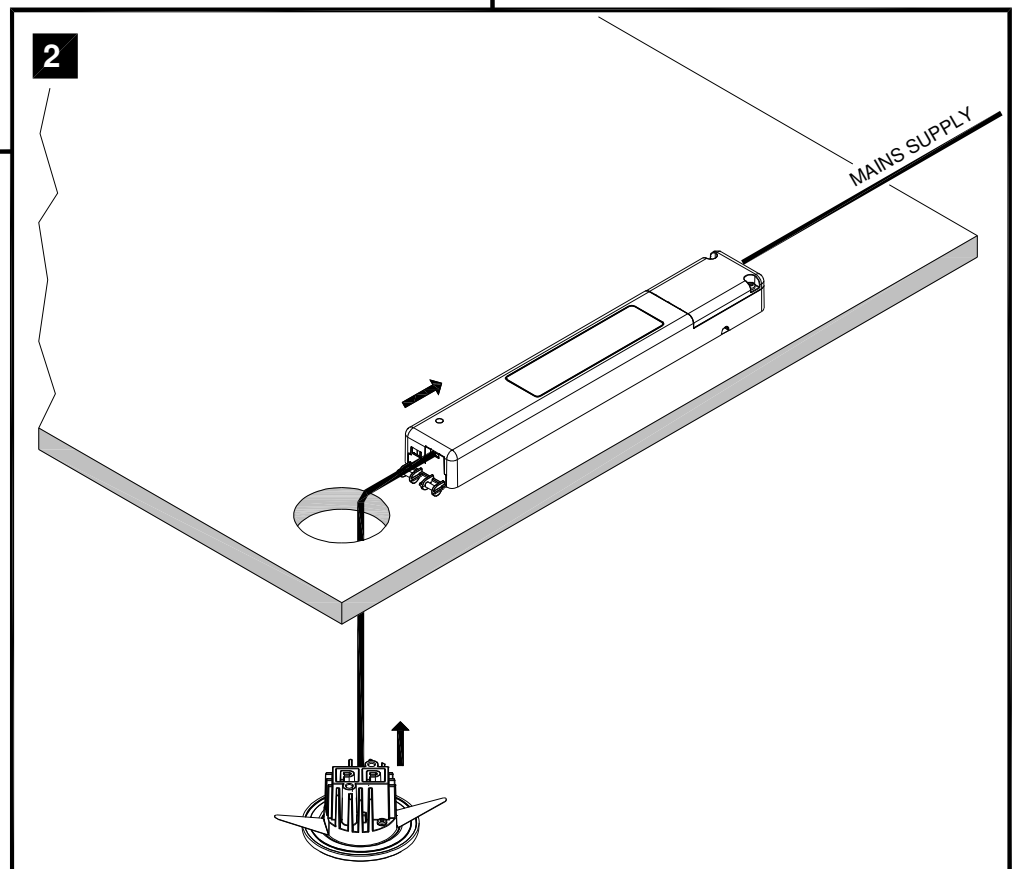
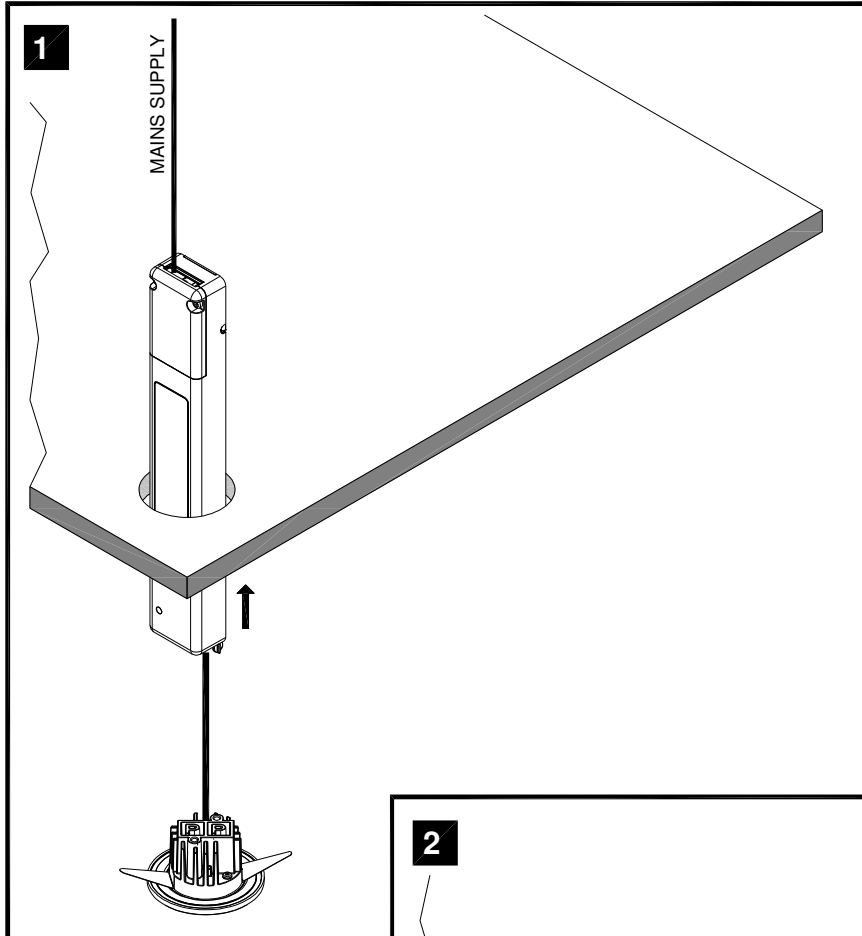
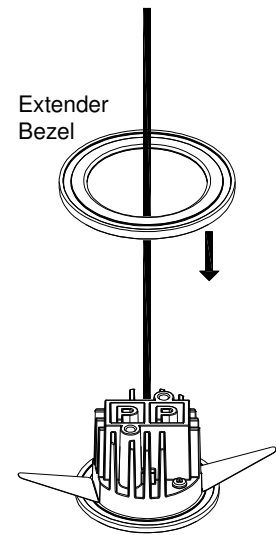
Ø45mm - Without extended bezel (false ceiling only).

Ø57mm - With extender bezel - required for blind installation into plasterboard type ceiling.

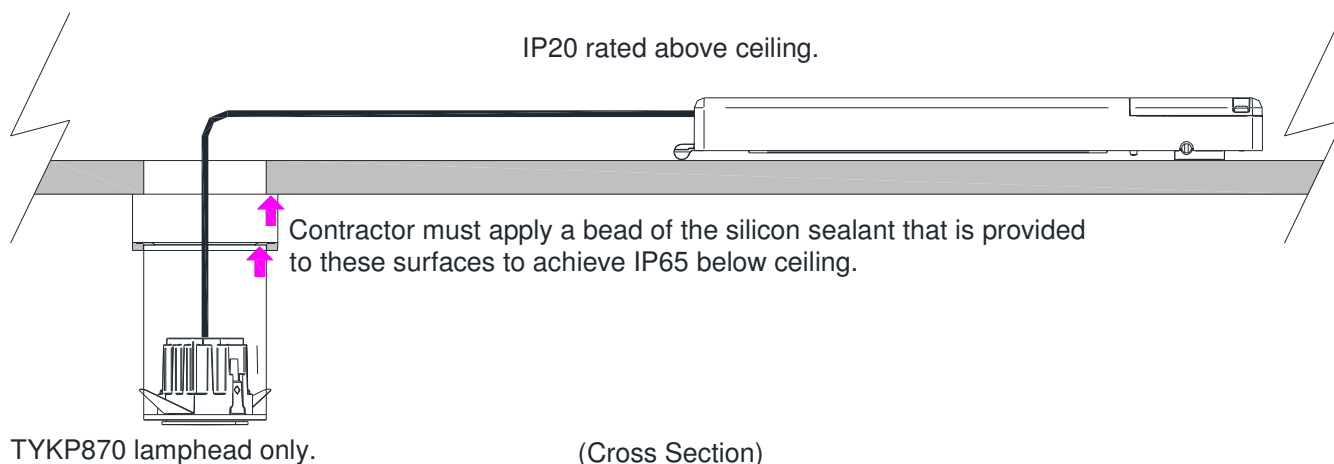


## Special Preparation For Blind Installation Into Plasterboard Ceilings

- 240mm void depth required (measured from underside of ceiling).
- 57mm cut-out required.
- Extender bezel required.



## Installation with IP65 Below Ceiling



## Cleaning Instructions



### Operation and Maintenance

Failed LED's should be replaced promptly or the circuit switched off to avoid possible damage to control gear.  
Continual operation at mains voltages in excess of the rated voltage will reduce LED and expected gear life.  
This luminaire uses plastic components in its construction and when installed in environments containing chemicals, degradation may occur.  
Please contact our Technical Department for advice.

### Modifications

Philip Payne products should not be modified.  
Any modification may render the product unsafe and will invalidate any Safety/Approval marks.  
Philip Payne will not accept any responsibility for any modified products or for any damage caused as a result of their modification.

### Monthly and Annual Tests

Monthly and Annual tests should be carried out in accordance with BS EN 50172:2004, 7.2.  
Testing can be carried out by using a sub circuit isolator or by switching off the lighting circuit at the circuit breaker (not for AutoTest or DALI versions).  
Battery pack shall be replaced if the specified 3 hour duration is not met.  
For replacement LED or battery pack contact Philip Payne Ltd.

### Important-Safety

**Before carrying out any servicing on this luminaire, ensure that the mains supply is fully isolated.  
Disconnect luminaire before insulation testing of the installation.**



### Philip Payne Ltd

A SUBSIDIARY OF F.W. THORPE PLC  
Thornhill Road, Solihull, B91 2HB, England.  
Tel: 0121 705 2384  
Fax: 0121 711 2469  
e-mail: mail@philippayne.co.uk  
Website: http://www.philippayne.co.uk  
Philip Payne Ltd registered in England No. 1361523



ISO9001  
FM55077



21LFT058\_4