

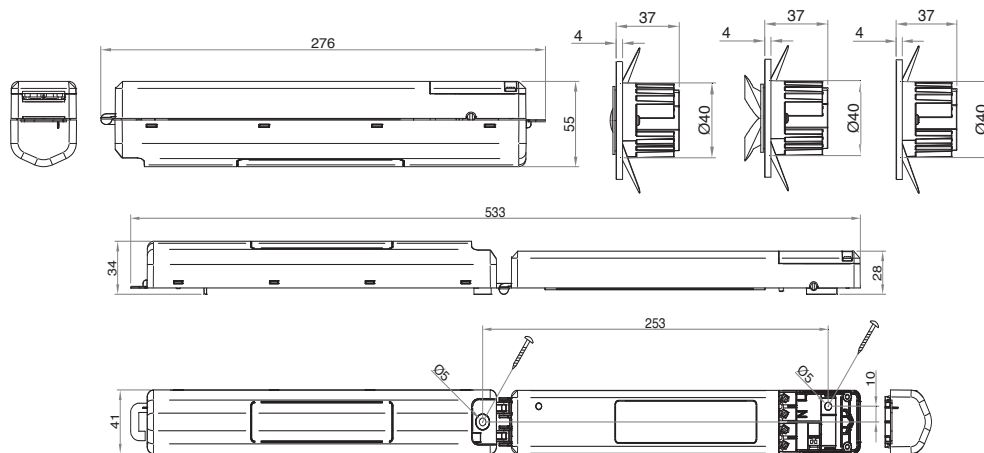
TYKE860



- IP20
- NM/MM
- 6 WARRANTY
- 0.35 KG
- 230v
- DALI
- 2W



- EN 60598-1
- EN60598-2-22
- EN55015
- EN61547
- EN61000-3-2



EXAMPLE PRODUCT CODE		TYK	E860	LA	W
FAMILY	TYKE	TYK			
LENS	AREA	A860			
	CORRIDOR	C860			
	STANDARD	E860			
CONTROL GEAR	MAINS/CENTRAL BATTERY*	LA			
	NON-MAINTAINED SELF-CONTAINED	LN			
	NON-MAINTAINED AUTOTEST	YS			
	NON-MAINTAINED DALI	DS			
COLOUR	GREY	G			
	BLACK	K			
	WHITE	W			

Example Code TYKE860LAW Tyke | Standard | Mains/Central Battery | White Finish

For more information on colours, please go to the **Finishes Page**.

*For input voltages please refer to our installation leaflets.

TYKE860



- IP20**
- NM/MM**
- 6** WARRANTY
- 0.35** KG
- 230v**
- DALI**
- 2W**



- EN 60598-1
- EN60598-2-22
- EN55015
- EN61547
- EN61000-3-2

TYKA860

MOUNTING HEIGHT	0.5 LUX				1 LUX			
	2.0	3.8	7.6	7.6	3.8	4.2	9.4	9.4
2.5	4.3	9.4	9.4	4.3	4.8	11.0	11.0	4.8
3.0	4.9	10.6	10.6	4.9	5.3	12.3	12.3	5.3
3.5	5.2	12.2	12.2	5.2	1.9	13.5	13.5	1.9
4.0	5.6	13.4	13.4	5.6	0.7	10.6	10.6	0.7
4.5	5.8	14.6	14.6	5.8	0	10.1	10.1	0

TYKC860

MOUNTING HEIGHT	0.5 LUX				1 LUX			
	2.0	2.2	6.1	15.6	6.6	1.5	4.5	13.4
2.5	2.1	6.4	17.6	7.4	1.4	4.4	15.1	6.1
3.0	2.1	6.3	19.4	8.1	1.2	4.2	16.5	4.0
3.5	1.9	6.1	21	8.5	1.2	3.9	15.4	4.2
4.0	1.8	6.1	22.5	5.4	1.0	3.6	15.0	4.4
4.5	1.7	5.9	20.7	5.7	0.8	3.4	11.6	4.5

TYKE860

MOUNTING HEIGHT	0.5 LUX				1 LUX			
	2.0	2.7	5.0	5.0	2.7	2.9	6.4	6.4
2.5	3.1	6.2	6.2	3.1	3.3	7.5	7.5	3.3
3.0	3.5	7.0	7.0	3.5	3.8	8.5	8.5	3.8
3.5	3.8	8.2	8.2	3.8	4.1	9.5	9.5	4.1
4.0	4.1	9.0	9.0	4.1	4.3	10.4	10.4	4.3
4.5	4.4	9.8	9.8	4.4	4.4	11.2	11.2	4.4