

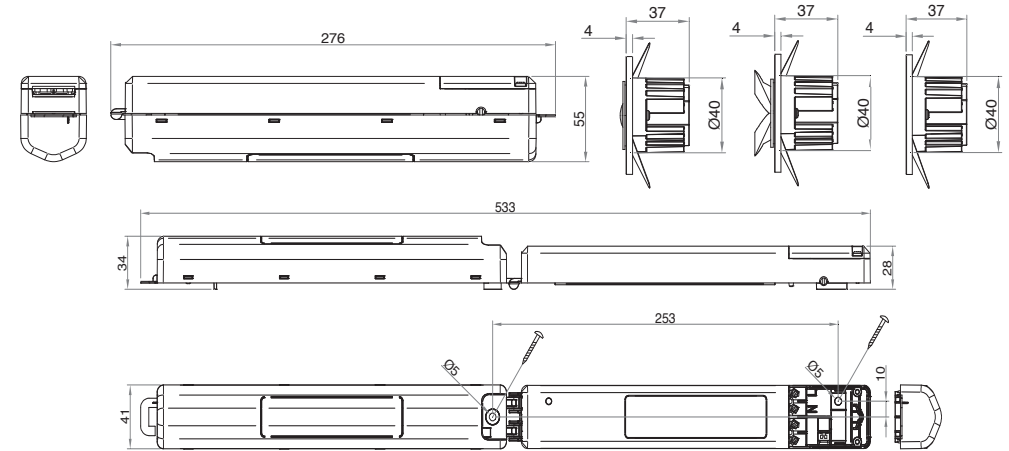
TYKE860



- IP20** **NM/MM**
- 6** **KG**
- WARRANTY **0.35**
- 230v** **DALI**
- 2W**



- EN 60598-1
- EN60598-2-22
- EN55015
- EN61547
- EN61000-3-2



EXAMPLE PRODUCT CODE		TYK	E860	LA	W
FAMILY	TYKE	TYK			
LENS	AREA	A860			
	CORRIDOR	C860			
	STANDARD	E860			
CONTROL GEAR	MAINS/CENTRAL BATTERY*	LA			
	MAINS/CENTRAL BATTERY DALI*	DA			
	NON-MAINTAINED SELF-CONTAINED	LN			
	NON-MAINTAINED AUTOTEST	YS			
	NON-MAINTAINED DALI	DS			
COLOUR	GREY	G			
	BLACK	K			
	WHITE	W			

For more information on colours, please go to the **Finishes Page**.
 *For input voltages please refer to our installation leaflets.

TYKE860



KM587259
BS EN ISO 60598-2-22

TYKA860

MOUNTING HEIGHT	0.5 LUX				1 LUX			
	2.0	3.8	7.6	7.6	3.8	4.2	9.4	9.4
2.5	4.3	9.4	9.4	4.3	4.8	11.0	11.0	4.8
3.0	4.9	10.6	10.6	4.9	5.3	12.3	12.3	5.3
3.5	5.2	12.2	12.2	5.2	1.9	13.5	13.5	1.9
4.0	5.6	13.4	13.4	5.6	0.7	10.6	10.6	0.7
4.5	5.8	14.6	14.6	5.8	0	10.1	10.1	0

TYKC860

MOUNTING HEIGHT	0.5 LUX				1 LUX			
	2.0	2.2	6.1	15.6	6.6	1.5	4.5	13.4
2.5	2.1	6.4	17.6	7.4	1.4	4.4	15.1	6.1
3.0	2.1	6.3	19.4	8.1	1.2	4.2	16.5	4.0
3.5	1.9	6.1	21	8.5	1.2	3.9	15.4	4.2
4.0	1.8	6.1	22.5	5.4	1.0	3.6	15.0	4.4
4.5	1.7	5.9	20.7	5.7	0.8	3.4	11.6	4.5

TYKE860

MOUNTING HEIGHT	0.5 LUX				1 LUX			
	2.0	2.7	5.0	5.0	2.7	2.9	6.4	6.4
2.5	3.1	6.2	6.2	3.1	3.3	7.5	7.5	3.3
3.0	3.5	7.0	7.0	3.5	3.8	8.5	8.5	3.8
3.5	3.8	8.2	8.2	3.8	4.1	9.5	9.5	4.1
4.0	4.1	9.0	9.0	4.1	4.3	10.4	10.4	4.3
4.5	4.4	9.8	9.8	4.4	4.4	11.2	11.2	4.4



EN 60598-1

EN60598-2-22

EN55015

EN61547

EN61000-3-2