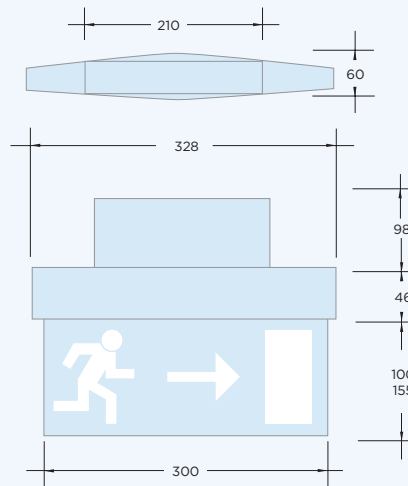


CLASSIC SEVEN | 7100

CE	F
MM	NM
LED	SELF TEST
20	DALI
20/30m	1.5 KG
EN60598-1	
EN60598-2-22	
EN55015	
EN61547	
EN61000-3-2	
STEEL	



SpectroXT

To specify a wireless product variant for use with Philip Payne SpectroXT Emergency Lighting System from this range simply replace gear suffix code with XT.

Specification

Voltage	230v
IP	20
Weight	1.5kg
Gear Options	230v central Supply 3hr Non-Maintained 3hr Maintained 3hr Self Test 3hr DALI

PART NUMBERS

7100LA	230v AC/DC	Central Supply
7100LM	3hr Self Contained	Maintained/ Non-Maintained
7100YL	3hr Self Contained	Self Test
7100DL	3hr Self Contained	DALI

FINISH OPTIONS

W	RAL 9010
G	RAL 9006
K	RAL 9005
V	Penny Bronze

Products should be suffixed with appropriate code.
For example: **7100DLW** for white finished product.