

SUPER 7



230v

3hrs



DALI

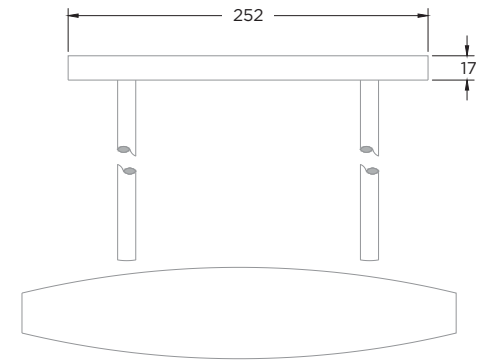
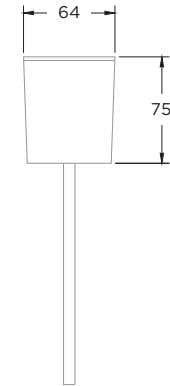
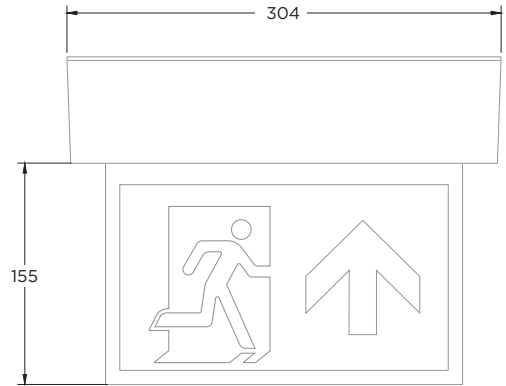
CE

1.5

IP20

26m

5
WARRANTY



EXAMPLE PRODUCT CODE		S7001	XT	W
PRODUCT	S7001	S7001		
CONTROL	CENTRAL BATTERY	LA		
	DALI MAINTAINED	DL		
	SELF TEST MAINTAINED	YL		
	MAINTAINED	LM		
	SPECTO-XT MAINTAINED	XT		
COLOUR	RAL 9016 (WHITE)	W		
	RAL 9006 (GREY)	G		
	RAL 9005 (BLACK)	K		
	PENNY BRONZE	V		

S7001XTW SUPER 7 | Specto-XT Maintained | White Finish

EXAMPLE PRODUCT CODE		38ISO	251	D
LEGEND TYPE	ISO 7010	38ISO		
DIRECTION	UP	251		
	DOWN	252		
	RIGHT	253		
	LEFT	254		
LEGEND SIDED	DOUBLE SIDED	D		

38ISO251 ISO 7010 | Single Sided Arrow Up