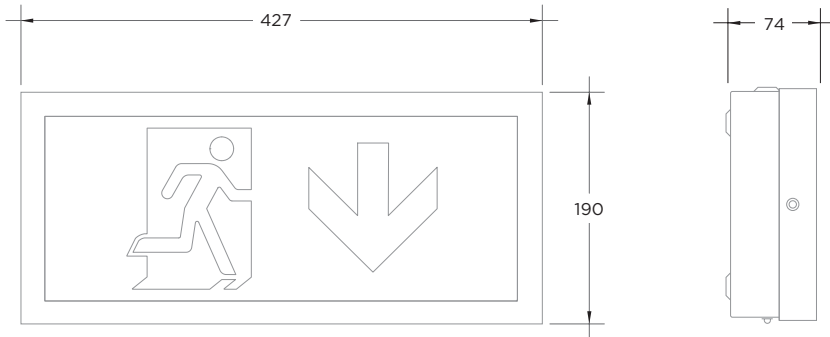




300 SC



230v

3hrs



DALI

CE

KG
1.5

IP54

30m

5
WARRANTY

EXAMPLE PRODUCT CODE	300SC		XT	W
PRODUCT	300SC	300SC		
CONTROL	CENTRAL BATTERY	LA		
	CENTRAL BATTERY DALI	DA		
	DALI MAINTAINED	DL		
	SELF TEST MAINTAINED	YL		
	MAINTAINED	LM		
	SPECTO-XT MAINTAINED	XT		
COLOUR	RAL 9016 (WHITE)	W		
	RAL 9006 (GREY)	G		
	RAL 9005 (BLACK)	K		
	PENNY BRONZE	V		

300SCXTW 300SC | Specto-XT Maintained | White Finish

EXAMPLE PRODUCT CODE	34ISO		354
LEGEND TYPE	ISO 7010	34ISO	
DIRECTION	SINGLE SIDED UP	353	
	SINGLE SIDED DOWN	354	
	SINGLE SIDED RIGHT	355	
	SINGLE SIDED LEFT	356	

34ISO353 ISO 7010 | Single Sided Arrow Up