

300 SD



230v

3hrs



DALI

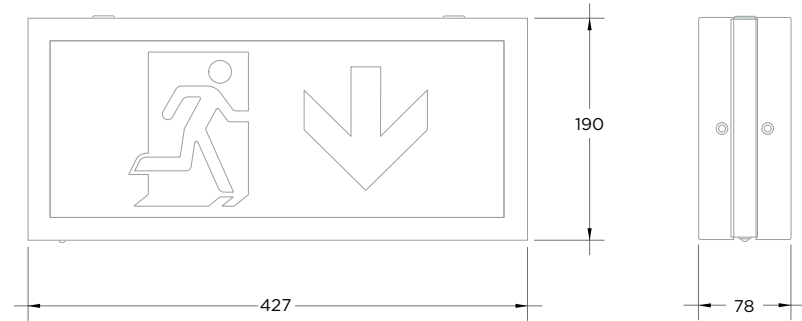
CE

1.5 KG

IP54

30m

5 WARRANTY



| EXAMPLE PRODUCT CODE | 300SD | C | DL | W | IS | DU |
|----------------------|----------------------|---|----|---|----|----|
| PRODUCT | 300SD | | | | | |
| MOUNT | CEILING MOUNTED | C | | | | |
| CONTROL | DALI MAINTAINED | | DL | | | |
| | SPECTO-XT MAINTAINED | | XT | | | |
| COLOUR | WHITE | | | W | | |
| | BLACK | | | K | | |
| LEGEND TYPE | ISO 7010 | | | | IS | |
| | BS 5499 | | | | BS | |
| | EC 92/58 | | | | EC | |
| DIRECTION | DOUBLE UP | | | | | DU |
| | DOUBLE DOWN | | | | | DD |
| | DOUBLE RIGHT | | | | | DR |
| | DOUBLE LEFT | | | | | DL |

300SDCDLWISDU 300SD | Ceiling Mounted | DALI Maintained | White finish | ISO 7010 | Double Sided Arrow Up



FEATURES & BENEFITS

- Specto-XT wireless technology removes the need for control cabling, ideal for retro-fit installations
- Strong and robust body with high impact resistance
- Tool-less and screw-less second fix legend and cover for fast installations
- Doubled sided aluminium bodied luminaire with powder coating finish
- Choice of colour options