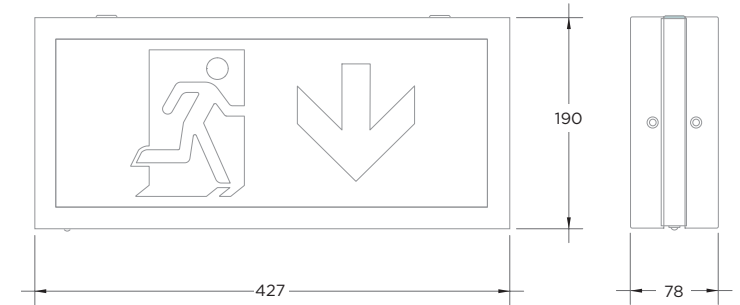


# 300SD



- 230v**
- KG 1.5**
- 3hrs**
- IP54**
- 30m**
- DALI**
- 6 WARRANTY**



EXAMPLE PRODUCT CODE		300SD	XT	W
<b>PRODUCT</b>	300SD	300SD		
<b>CONTROL</b>	CENTRAL BATTERY	LA		
	CENTRAL BATTERY DALI	DA		
	DALI MAINTAINED	DL		
	SELF TEST MAINTAINED	YL		
	MAINTAINED	LM		
	SPECTO-XT MAINTAINED	XT		
<b>COLOUR</b>	RAL 9016 (WHITE)	W		
	RAL 9006 (GREY)	G		
	RAL 9005 (BLACK)	K		
	PENNY BRONZE	V		

**300SDXTW 300SD | Specto-XT Maintained | White Finish**

EXAMPLE PRODUCT CODE		34ISO	354
<b>LEGEND TYPE</b>	ISO 7010	34ISO	
<b>DIRECTION</b>	ARROW UP	353	
	ARROW DOWN	354	
	ARROW RIGHT	355	
	ARROW LEFT	356	

**34ISO353 ISO 7010 | Arrow Up**  
**2 x LEGENDS WILL NEED TO BE ORDERED FOR A DOUBLE SIDED FITTING**



## FEATURES & BENEFITS

- Specto-XT wireless technology removes the need for control cabling, ideal for retro-fit installations
- Strong and robust body with high impact resistance
- Tool-less and screw-less second fix legend and cover for fast installations
- Doubled sided aluminium bodied luminaire with powder coating finish
- Choice of colour options