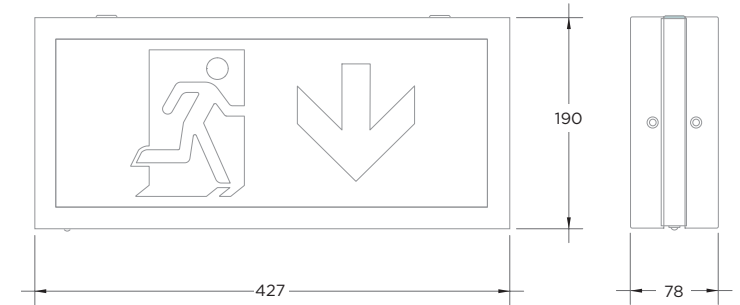


300 SD



- 230v
- 1.5
- 3hrs
- IP54
- 30m
- DALI
- 6 WARRANTY



EXAMPLE PRODUCT CODE		300SD	XT	W
PRODUCT	300SD	300SD		
CONTROL	CENTRAL BATTERY	LA		
	CENTRAL BATTERY DALI	DA		
	DALI MAINTAINED	DL		
	SELF TEST MAINTAINED	YL		
	MAINTAINED	LM		
	SPECTO-XT MAINTAINED	XT		
COLOUR	RAL 9016 (WHITE)	W		
	RAL 9006 (GREY)	G		
	RAL 9005 (BLACK)	K		
	PENNY BRONZE	V		

300SDXTW 300SD | Specto-XT Maintained | White Finish

EXAMPLE PRODUCT CODE		34ISO	354
LEGEND TYPE	ISO 7010	34ISO	
DIRECTION	DOUBLE SIDED UP	353	
	DOUBLE SIDED DOWN	354	
	DOUBLE SIDED RIGHT	355	
	DOUBLE SIDED LEFT	356	

34ISO353 ISO 7010 | Double Sided Arrow Up



FEATURES & BENEFITS

- Specto-XT wireless technology removes the need for control cabling, ideal for retro-fit installations
- Strong and robust body with high impact resistance
- Tool-less and screw-less second fix legend and cover for fast installations
- Doubled sided aluminium bodied luminaire with powder coating finish
- Choice of colour options