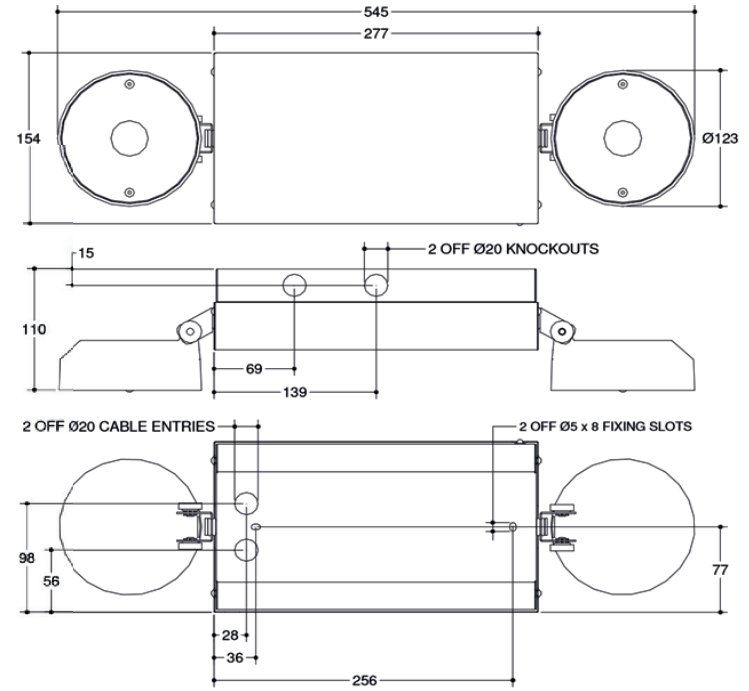


# 2NI



- IP20 7W
- 6 WARRANTY 3.7 KG
- 230v DALI
- NM



| EXAMPLE PRODUCT CODE |                               | AVTN | 296 | LN | W |
|----------------------|-------------------------------|------|-----|----|---|
| <b>FAMILY</b>        | 2NI                           | AVTN |     |    |   |
| <b>BEAM ANGLE</b>    | 29° (2 X 325 LUMENS)          | 296  |     |    |   |
|                      | 63° (2 X 345 LUMENS)          | 636  |     |    |   |
| <b>CONTROL GEAR</b>  | MAINS/CENTRAL BATTERY*        | LA   |     |    |   |
|                      | MAINS/CENTRAL BATTERY DALI*   | DA   |     |    |   |
|                      | NON MAINTAINED SELF-CONTAINED | LN   |     |    |   |
|                      | NON MAINTAINED AUTOTEST       | YS   |     |    |   |
|                      | NON MAINTAINED DALI           | DS   |     |    |   |
|                      | NON MAINTAINED SPECTO-XT      | XT   |     |    |   |
| <b>COLOUR</b>        | GREY                          | G    |     |    |   |
|                      | BLACK                         | K    |     |    |   |
|                      | PENNY BRONZE                  | V    |     |    |   |
|                      | WHITE                         | W    |     |    |   |

Example Code AVTNP296LNW 2-Ni | 29 Deg | 6 Watt | Non-Maintained | White Finish

For more information on colours, please go to the **Finishes Page**.

\*For input voltages please refer to our installation leaflets.

EN 60598-1

EN60598-2-22

EN55015

EN61547

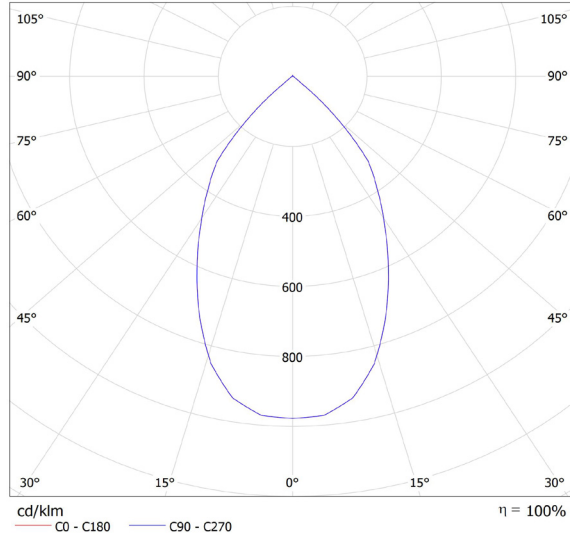
EN61000-3-2

- IP20 7W
- 6 WARRANTY 3.7 KG
- 230v DALI
- NM

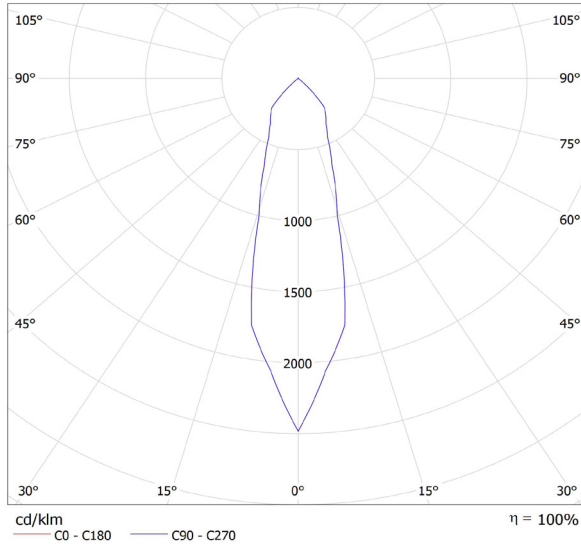


- EN 60598-1
- EN60598-2-22
- EN55015
- EN61547
- EN61000-3-2

### AVTN636



### AVTN296



### REMOTE HEAD OPTION

