

250SM



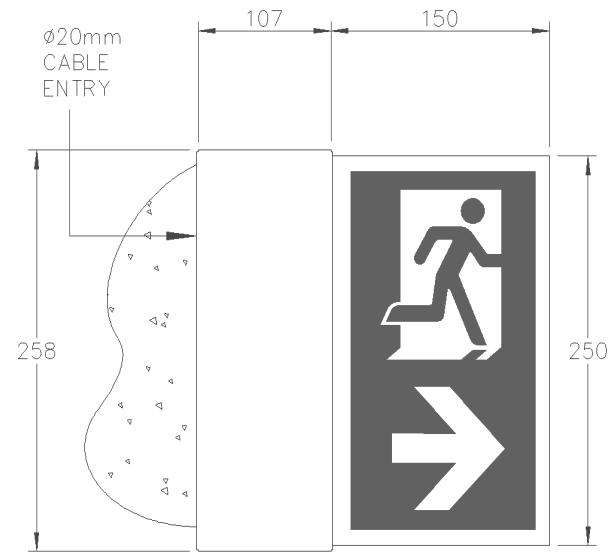
- IP20 IK09
- 26m 1.5
- 230v DALI
- NM/MM
- 1W 6 WARRANTY



ISO 7010



- EN 60598-1
- EN60598-2-22
- EN55015
- EN61547
- EN61000-3-2



EXAMPLE PRODUCT CODE		250	SM	LM	W
FAMILY	250SM	250			
PRODUCT	SURFACE MOUNT	SM			
CONTROL GEAR	MAINS/CENTRAL BATTERY*	LA			
	MAINS/CENTRAL BATTERY DALI*	DA			
	MAINTAINED SELF-CONTAINED	LM			
	MAINTAINED AUTOTEST	YL			
	MAINTAINED DALI	DL			
	MAINTAINED SPECTO-XT	XT			
COLOUR	POLISHED BRASS	B			
	POLISHED CHROME	C			
	ANTIQUE BRASS	E			
	GREY	G			
	BLACK	K			
	SATIN CHROME	R			
	PENNY BRONZE	V			
	WHITE	W			

Example Code 250SMLMW 250SM | Maintained Self Contained | White Finish

For more information on colours, please go to the **Finishes Page**. For more information on Legends, please go to the **Legends Page**.

*For input voltages please refer to our installation leaflets.