

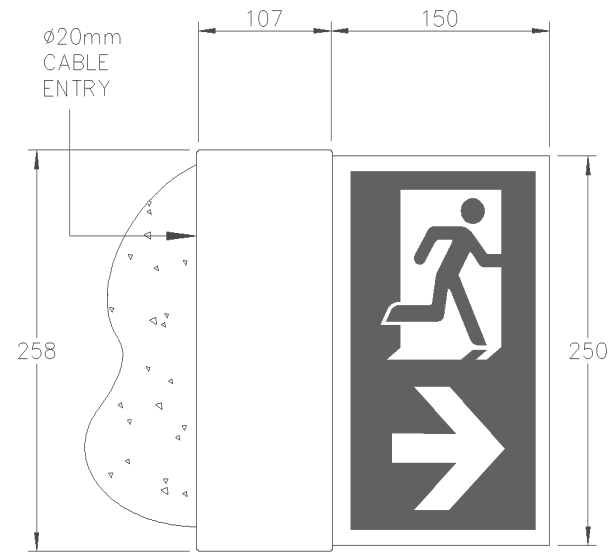
250SM



- IP20
- IK09
- 26m
- 1.5 KG
- 230v
- DALI
- NM/MM
- 1W
- 5 YEAR WARRANTY



- EN 60598-1
- EN60598-2-22
- EN55015
- EN61547
- EN61000-3-2



EXAMPLE PRODUCT CODE		250	SM	LM	W
FAMILY	250SM	250			
PRODUCT	SURFACE MOUNT		SM		
CONTROL GEAR	MAINS/CENTRAL BATTERY*			LA	
	MAINS/CENTRAL BATTERY DALI*			DA	
	MAINTAINED SELF-CONTAINED			LM	
	MAINTAINED AUTOTEST			YL	
	MAINTAINED DALI			DL	
	MAINTAINED SPECTO-XT			XT	
COLOUR	POLISHED BRASS			B	
	POLISHED CHROME			C	
	BMA			D	
	GREY			G	
	BLACK			K	
	SATIN CHROME			R	
	PENNY BRONZE			V	
	WHITE			W	

For more information on colours, please go to the **Finishes Page**. For more information on Legends, please go to the **Legends Page**.
 *For input voltages please refer to our installation leaflets.