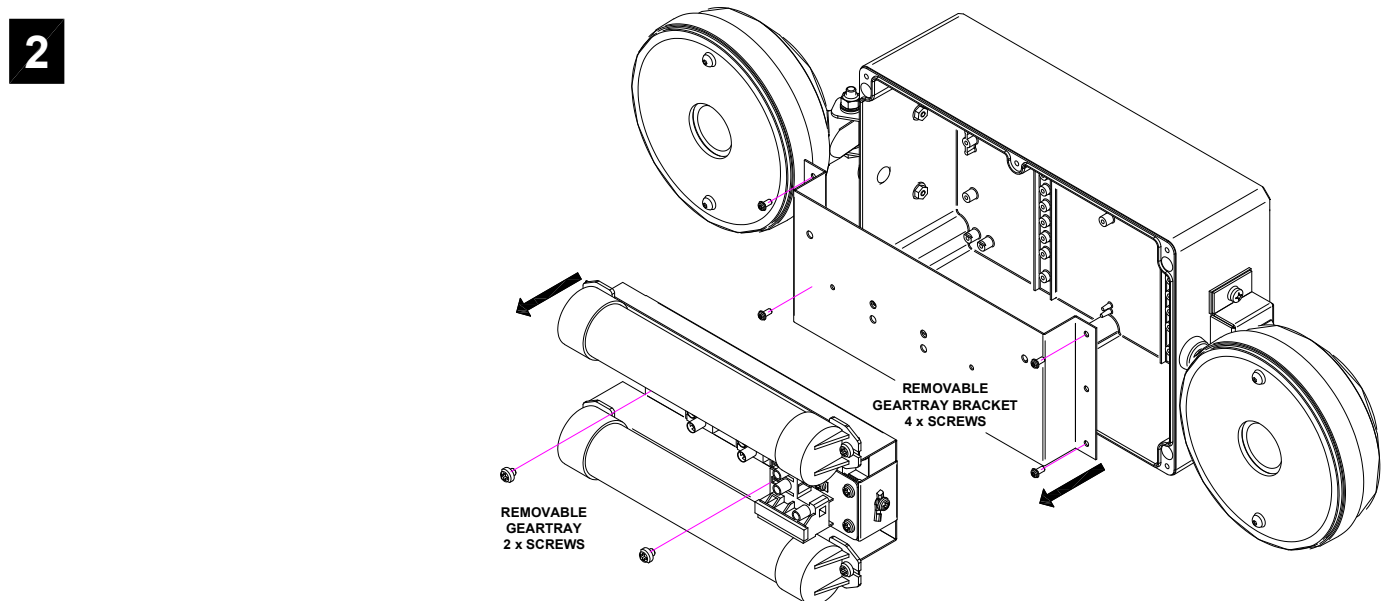
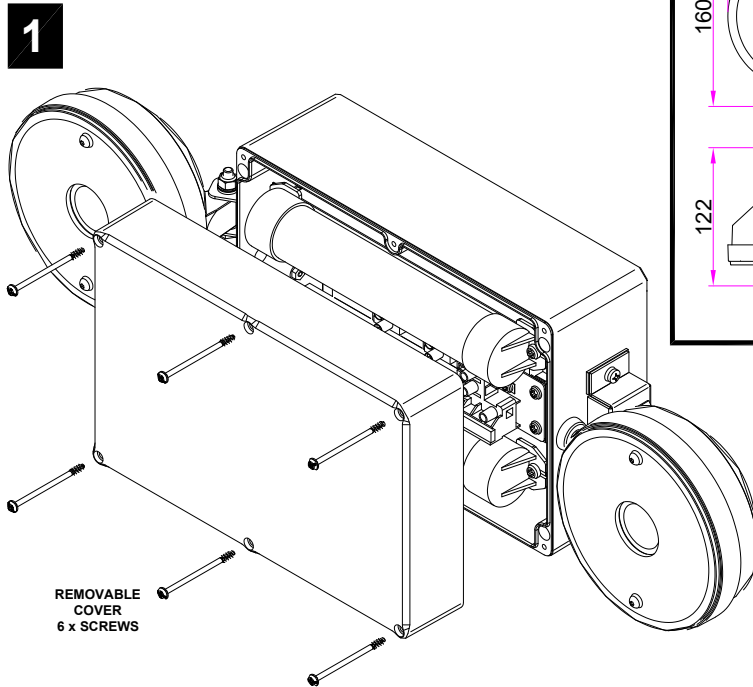
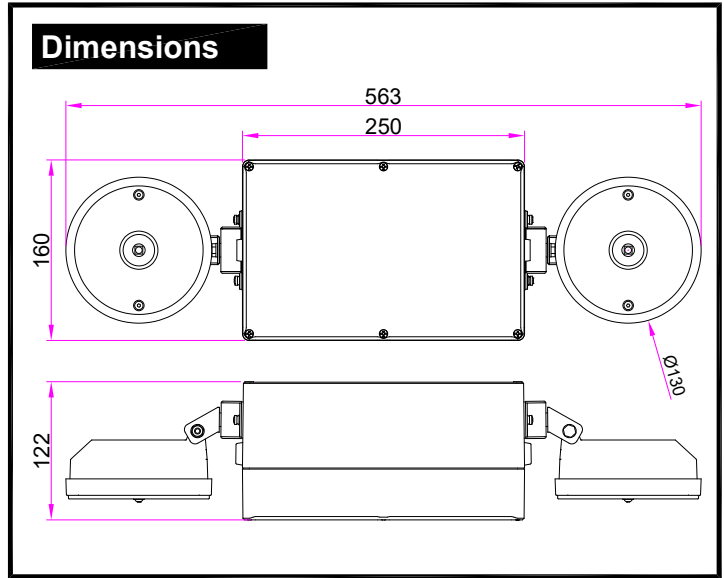
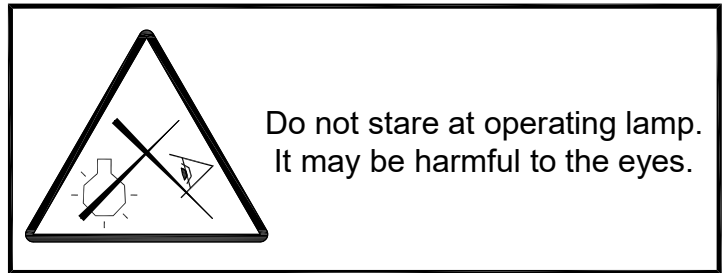


2NI IP Twin Spot

Surface Mounted LED Emergency Luminaire

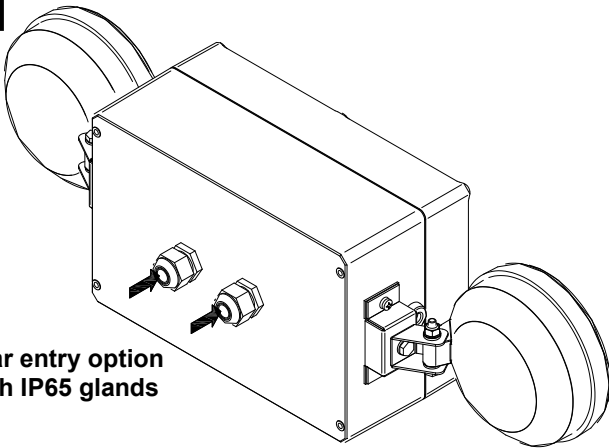
CLASS 1 IP65 

	BEAM ANGLE	CATALOGUE NUMBER	OPERATION	APPROX. KG	SUPPLY VOLTAGE
Spectro XT	29° Narrow	2NIIPSXT2325G	Non-maintained	4.0 Kg	220-240V AC 50/60Hz
	63° Wide	2NIIPSXT2345G			
DALI AutoTest	29° Narrow	2NIIPSDS2325G			
	63° Wide	2NIIPSDS2345G			



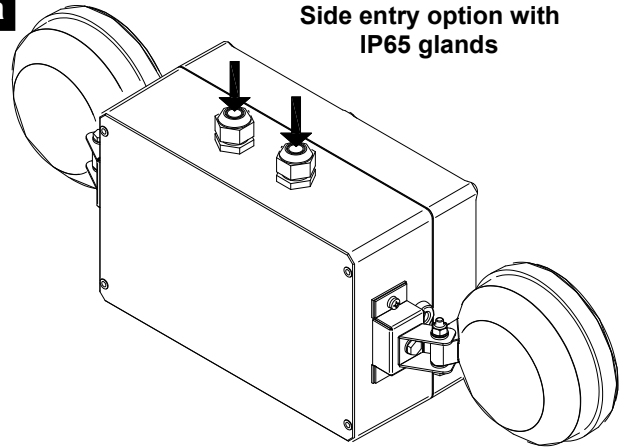
3a

Rear entry option with IP65 glands



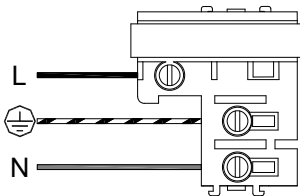
3a

Side entry option with IP65 glands



Connections

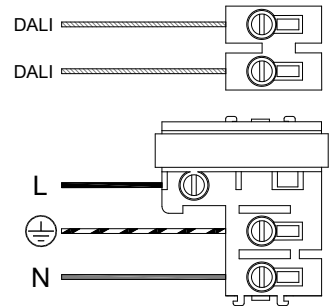
Specto XT versions



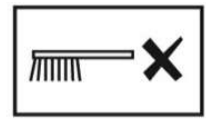
BASIC INSULATION BETWEEN L/N AND DALI/DALI TERMINALS.

DALI connections are not required for Autotest operation.

DALI AutoTest version



Cleaning Instructions



Operation and Maintenance

Failed lamps/light sources should be replaced promptly or the circuit switched off to avoid possible damage to control gear. Continual operation at mains voltages in excess of the rated voltage will reduce LED and expected gear life. This luminaire uses plastic components in its construction and when installed in environments containing chemicals, degradation may occur. Please contact our Technical Department for advice.

Modifications

Philip Payne products should not be modified. Any modification may render the product unsafe and will invalidate any Safety/Approval marks. Philip Payne will not accept any responsibility for any modified products or for any damage caused as a result of their modification.

Monthly and Annual Tests

Monthly and Annual tests should be carried out in accordance with BS EN 50172:2004, 7.2. Testing can be carried out by using a sub circuit isolator or by switching off the lighting circuit at the circuit breaker (not for AutoTest or DALI versions). Battery pack shall be replaced if the specified 3 hour duration is not met. For replacement battery pack contact Philip Payne Ltd.

The light source (LED's) contained in this luminaire shall only be replaced by the manufacturer or his service agent or a similar qualified person.

Important-Safety

Before carrying out any servicing on this luminaire, ensure that the mains supply is fully isolated. Disconnect luminaire before insulation testing of the installation.

NOTICE TO CONTRACTOR - PLEASE PASS THIS LEAFLET TO THE END-USER.



Philip Payne Ltd
A SUBSIDIARY OF F.W. THORPE PLC
Thornhill Road, Solihull, B91 2HB, England.
Tel: 0121 705 2384
Fax: 0121 711 2469
e-mail: mail@philippayne.co.uk
Website: http://www.philippayne.co.uk
Philip Payne Ltd registered in England No. 1361523



ISO9001
FM55077



21LFT126_1