

# SPRITE 870 SERIES

Emergency Downlighter Surface Ceiling

Class 1

IP 20

IP 65\*



## FEATURES

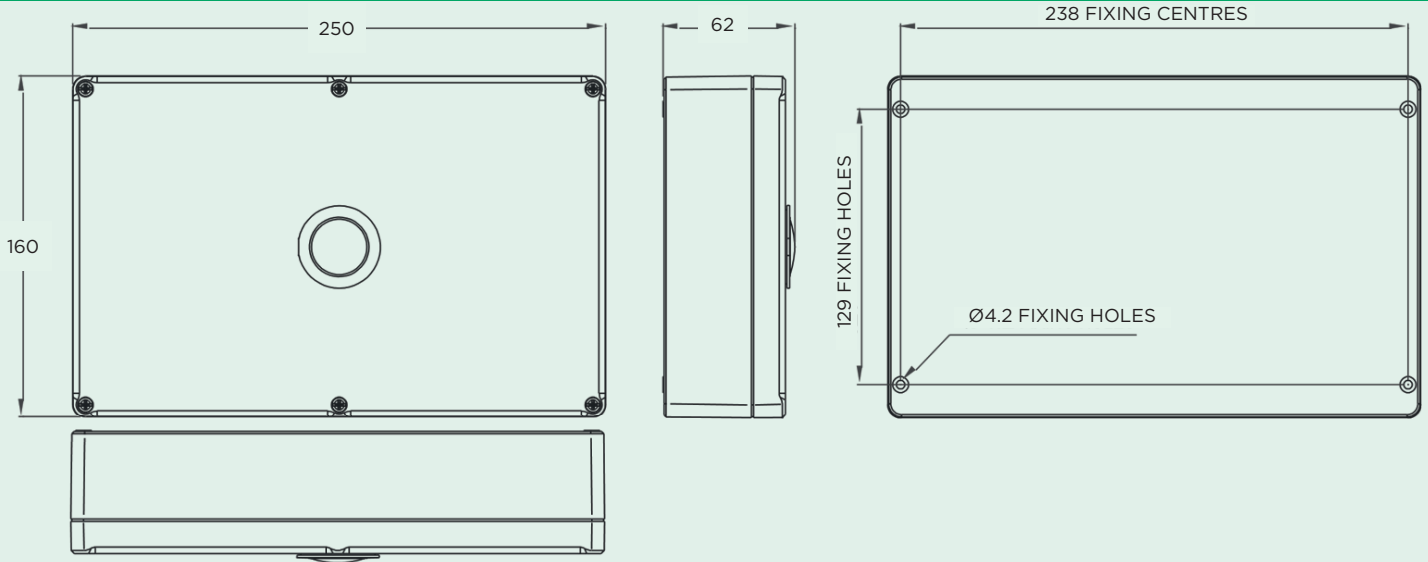
Model	Downlighter features	Supply voltage	Maximum luminaires on a Type B, 10A circuit breaker	Part No.
Non-Maintained	NM3	220-240V AC 50/60 Hz	90 Luminaires	SPRT870LN SPRP870LN*
Self Test	NM3 AutoTest	220-240V AC 50/60 Hz	90 Luminaires	SPRT870YS SPRP870YS*
DALI	NM3 DALI	220-240V AC 50/60 Hz	90 Luminaires	SPRT870DS SPRP870DS*
Central Supply		220-240V AC 50/60 Hz 176-264V DC	30 Luminaires	SPRT870LA SPRP870LA*
Central Supply DALI	DALI	220-240V AC 50/60 Hz 176 - 280V DC	30 Luminaires	SPRT870DA SPRP870DA*

# WARNING

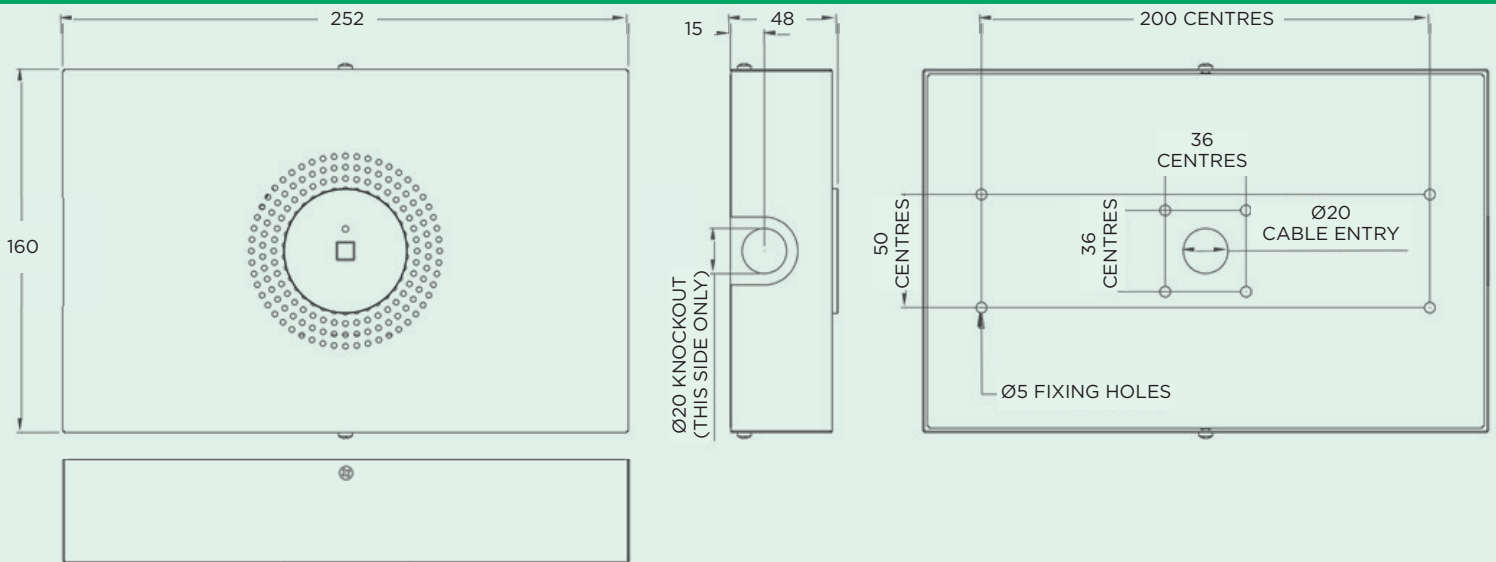


Do not stare at operating lamp. It may be harmful to the eyes.

## LUMINAIRE DIMENSIONS- IP RATED VERSION



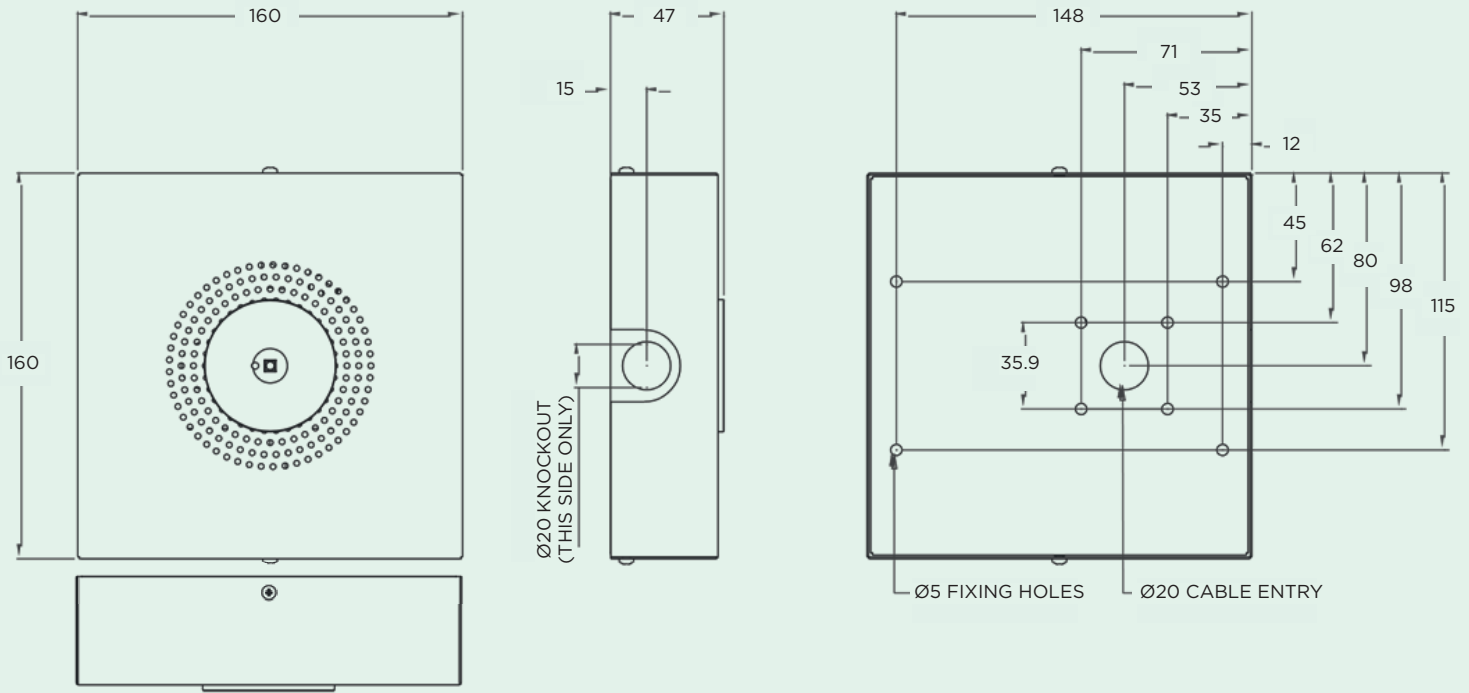
## LUMINAIRE DIMENSIONS- NON-MAINTAINED, SELF TEST AND DALI



## IMPORTANT-SAFETY

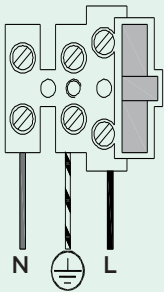
Before carrying out any servicing on this luminaire, ensure that the mains supply is fully isolated. Disconnect luminaire before insulation testing of the installation.

LUMINAIRE DIMENSIONS- CENTRAL SUPPLY AND CENTRAL SUPPLY DALI

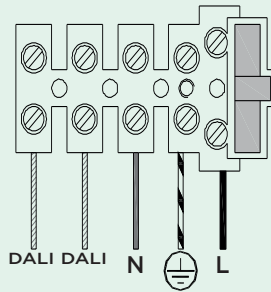


SUPPLY CONNECTIONS

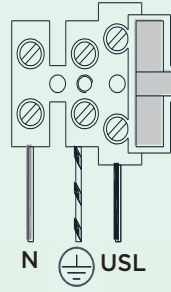
CENTRAL SUPPLY



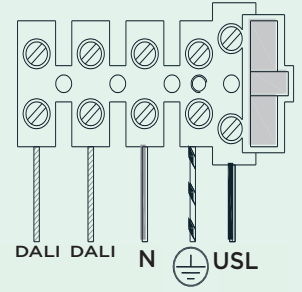
CENTRAL SUPPLY DALI



SELF TEST

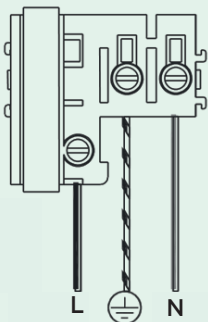


DALI

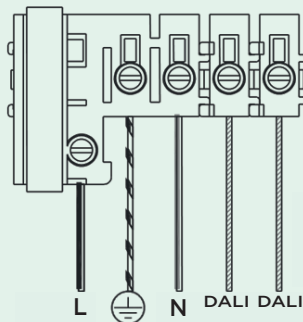


BASIC INSULATION IS MAINTAINED BETWEEN THE LV SUPPLY AND CONTROL CONDUCTORS ON THIS LUMINAIRE.

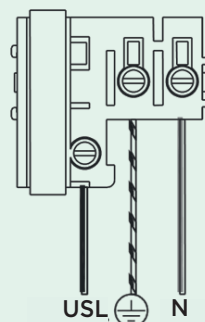
CENTRAL SUPPLY (IP RATED)



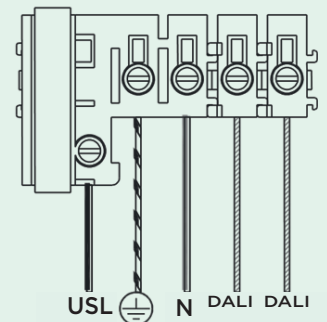
CENTRAL SUPPLY DALI (IP RATED)



SELF TEST (IP RATED)

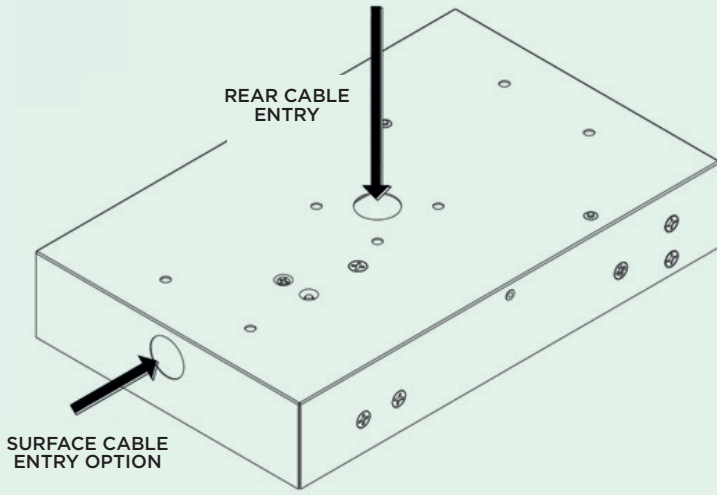


DALI (IP RATED)

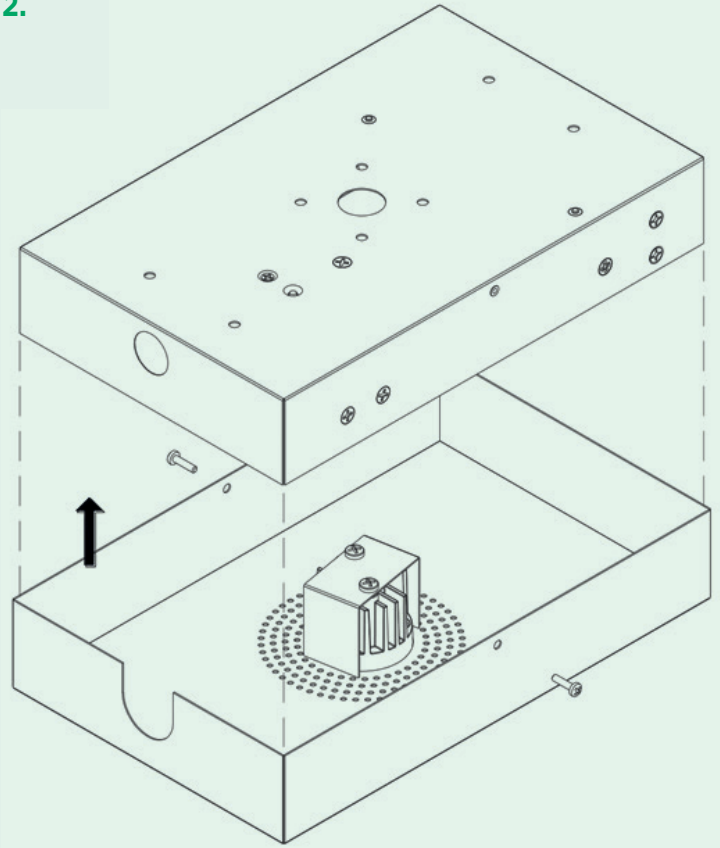


GENERAL INSTALLATION METHOD- NON-MAINTAINED, SELF TEST AND DALI

1.



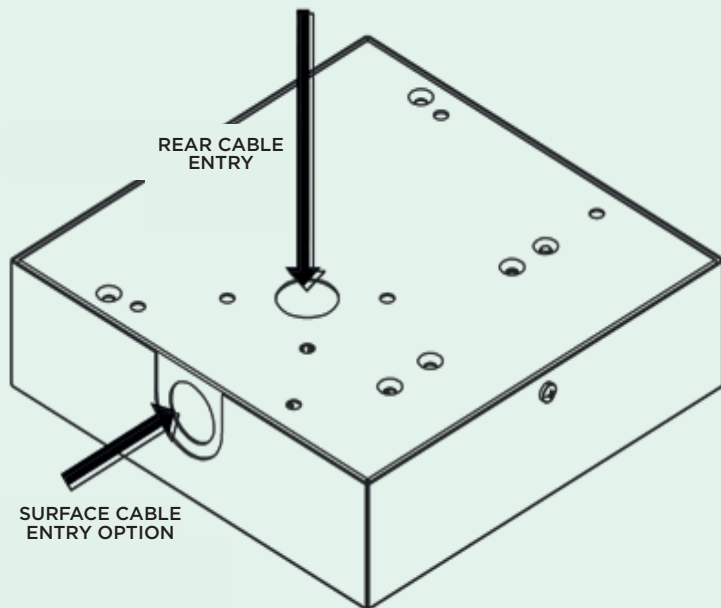
2.



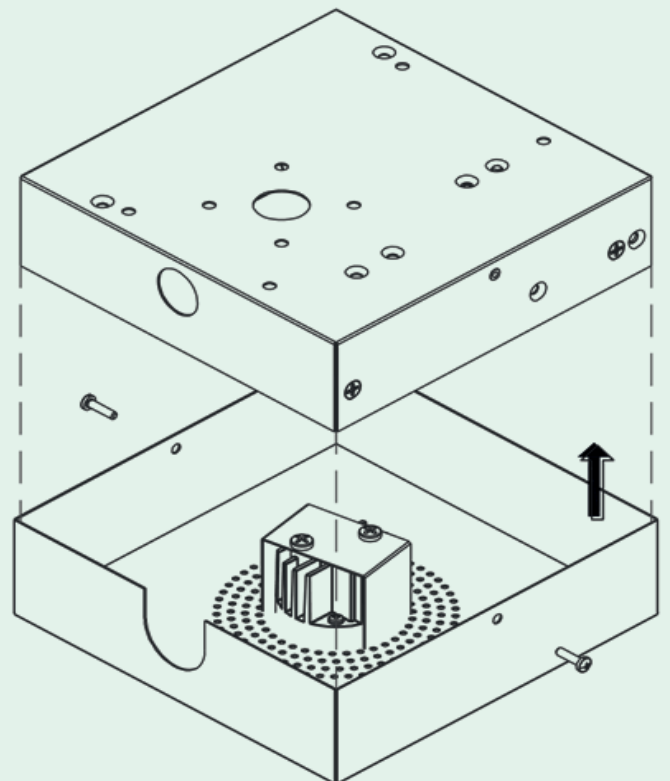
GENERAL INSTALLATION METHOD- CENTRAL SUPPLY AN

CENTRAL SUPPLY DALI

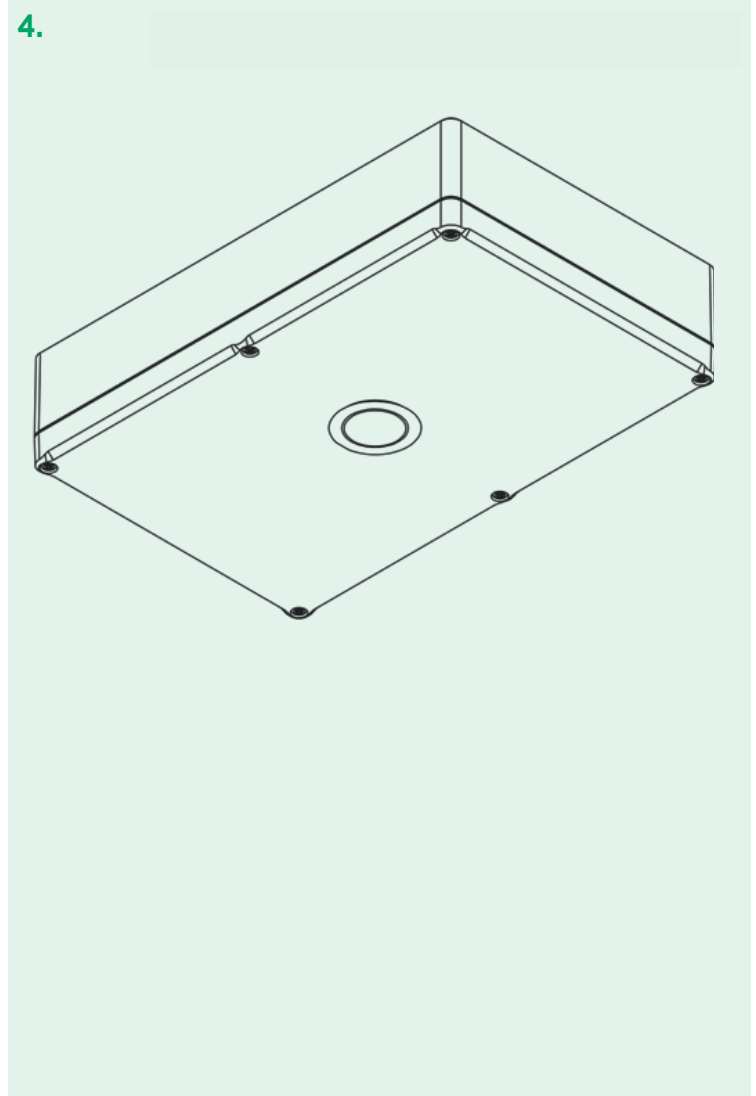
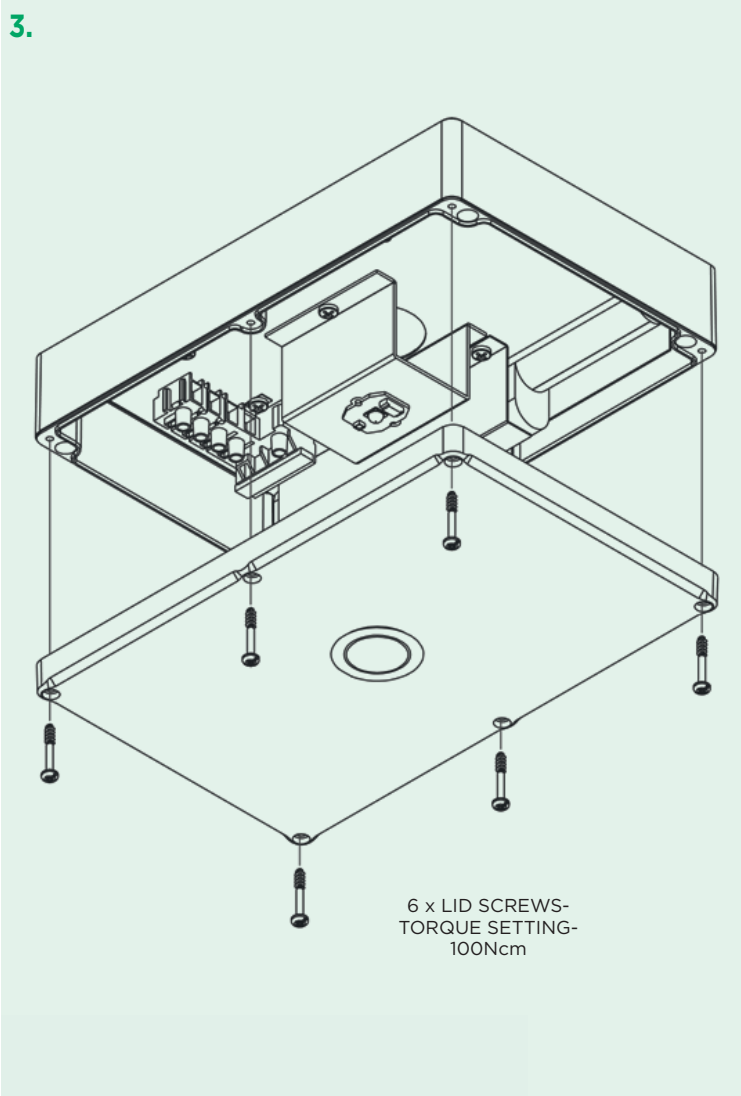
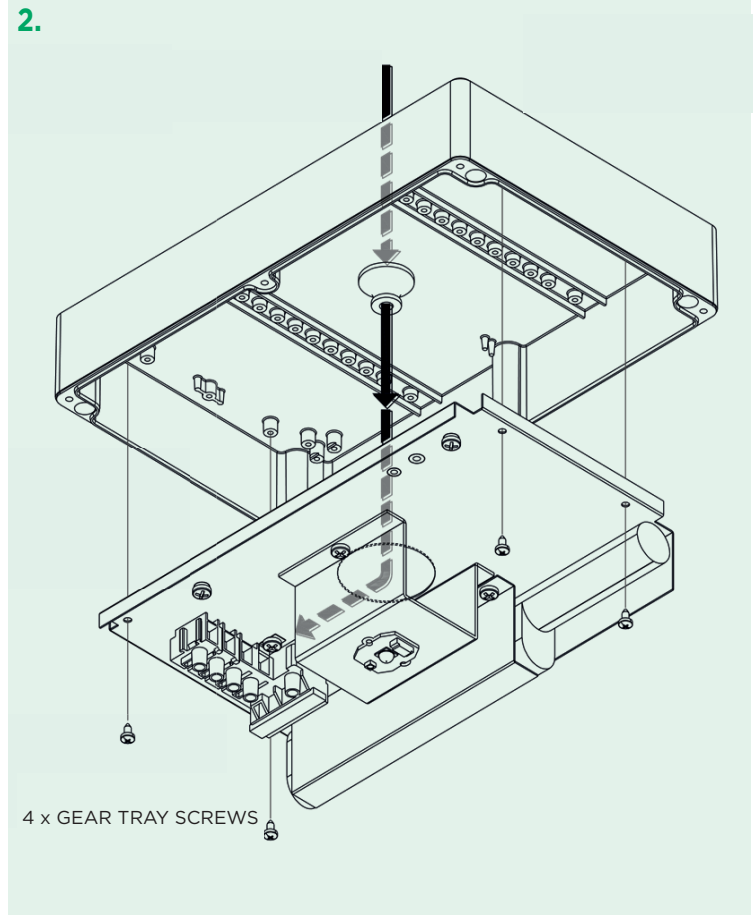
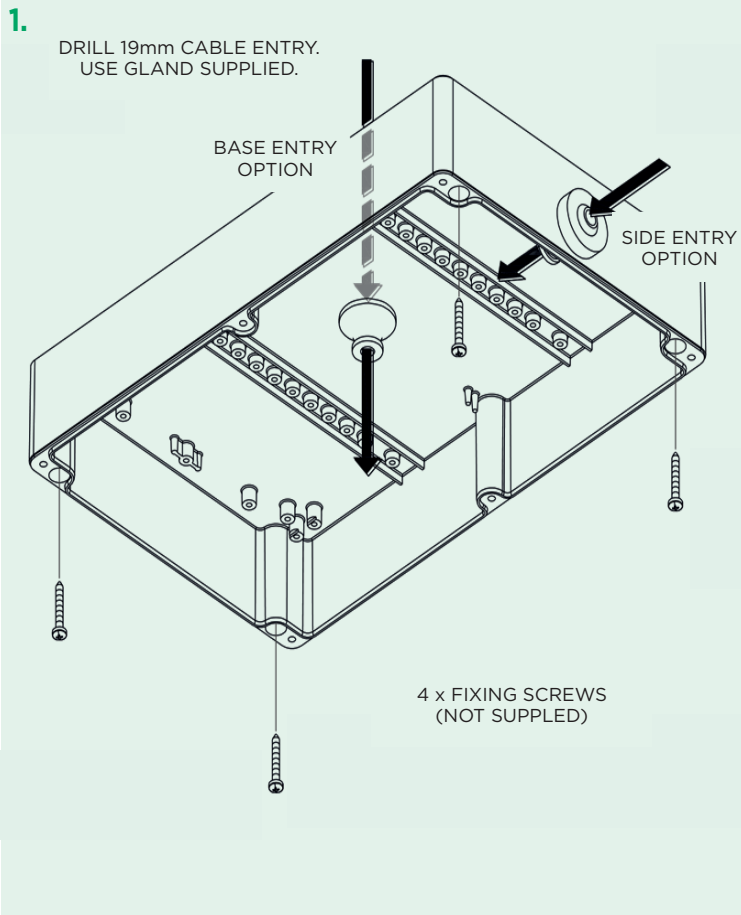
1.



2.



GENERAL INSTALLATION METHOD- IP RATED VERSION



### LED STATUS INDICATION

Operation	Led Status
Normal mode	Green LED- ON
Commissioning	Green LED- ON
Function test	Green LED- Fast Flash
Duration test	Green LED- Slow flash
Lamp fault/open circuit/short circuit	Red LED - ON
Battery fault	Red LED - Slow flash
Charge fault/Circuit fault	Red LED - Fast flash
Emergency mode	LED OFF
Identification	Red/Green LED - Slow flash

### FAULT RECTIFICATION SEQUENCE

1.Fault Identification	Slow Red Flash = Battery Fault	Permanent Red = Lamp Fault	Charge Fault
2. Take Remedial Action	Check Lamp/ Replace Lamp	Check Battery/ Replace Battery	Check Module/ Replace Module
3. Reset Unit	Switch Luminaire unswitched mains off / on		
4. Automatic Reset	Philip Payne AutoTest automatically resets the module to confirm rectification of fault. The device then reverts to standby mode if the fault has been cleared or returns to fault indication if fault persists.		

### IMPORTANT

To prevent lamp damage and false triggering of fault status please note the following :-

- Ensure LED's are connected correctly to the luminaire prior to applying power.
- Do not interrupt unswitched supply during self-commissioning period.
- Please allow 51 hours for charge, discharge, charge cycle.

Fitting Reference:		Installation Date:										Location:
MONTH	TEST	EXAMPLE	1ST YEAR	2ND YEAR	3RD YEAR	4TH YEAR	5TH YEAR	6TH YEAR	7TH YEAR	8TH YEAR		
	1. Functional	PASSED										
	2. Functional	PASSED										
	3. Functional	PASSED										
	4. Functional	PASSED										
	5. Functional	PASSED										
	6. Functional	PASSED										
	7. Functional	FAILED- REPLACED LAMP HEAD										
	8. Functional	PASSED										
	9. Functional	PASSED										
	10. Functional	FAILED- REPLACED BATTERY										
	11. Functional	PASSED										
	12. 3-Hour Duration	PASSED										

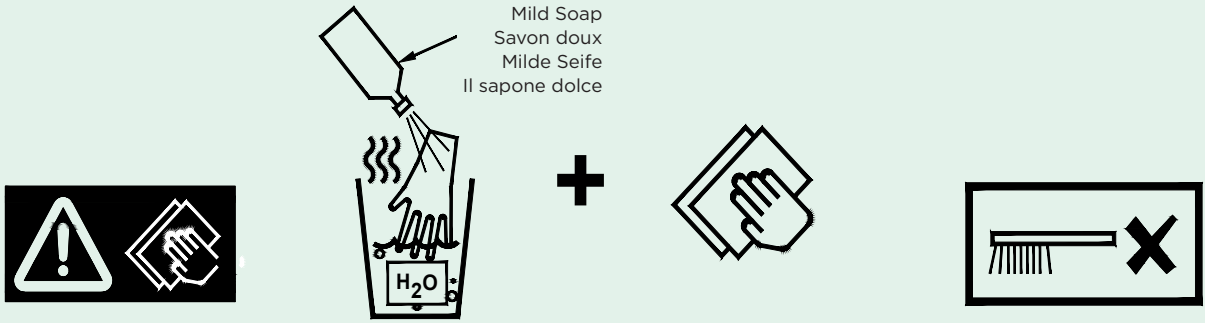
Each month, or more frequently if a fault is identified, we recommend the installation is checked for status of L.E.D.'s. Corrective action if necessary should be taken and recorded on the above form.

Follow good practice as laid down in relevant legislation such as BS 5266.

TO RESET AFTER A FAULT - SWITCH LUMINAIRE UNSWITCHED  
 MAINS OFF / ON.  
 SLOW RED LED FLASHING = BATTERY FAULT  
 PERMANENT RED LED = LAMP FAULT

**EMERGENCY LIGHTING IS THERE TO SAVE LIVES**

**CLEANING INSTRUCTIONS**



**INFORMATION**

**Operation and Maintenance**

Continual operation at mains voltages in excess of the rated voltage will reduce LED and expected gear life.

This luminaire uses plastic components in its construction and when installed in environments containing chemicals, degradation may occur.

Operation outside intended / stated parameters may cause a hazard, and in an extreme case, for example water ingress to electronic circuits, may cause a fire.

Please contact our Technical Department for advice.

**Modifications**

Philip Payne products should not be modified.

Any modification may render the product unsafe and will invalidate any Safety/Approval marks.

Philip Payne will not accept any responsibility for any modified products or for any damage caused as a result of their modification.

**Monthly and Annual Tests**

Monthly and Annual tests should be carried out in accordance with BS EN 50172:2004, 7.2.

Testing can be carried out by using a sub circuit isolator or by switching off the lighting circuit at the circuit breaker (not for AutoTest or DALI versions).

Battery pack shall be replaced if the specified 3 hour duration is not met.

For replacement battery pack contact Philip Payne Ltd.

The light source contained in this luminaire shall only be replaced by the manufacturer or his service agent or a similar qualified person.



**Philip Payne Ltd, Thornhill House, Thornhill Road, Solihull, B91 2HB**  
 +44 (0)121 705 2384 | mail@philippayne.co.uk | www.philippayne.co.uk



KM587259  
BS EN ISO 60598-2-22



FM-55077

