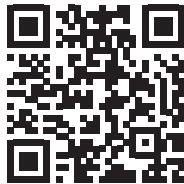


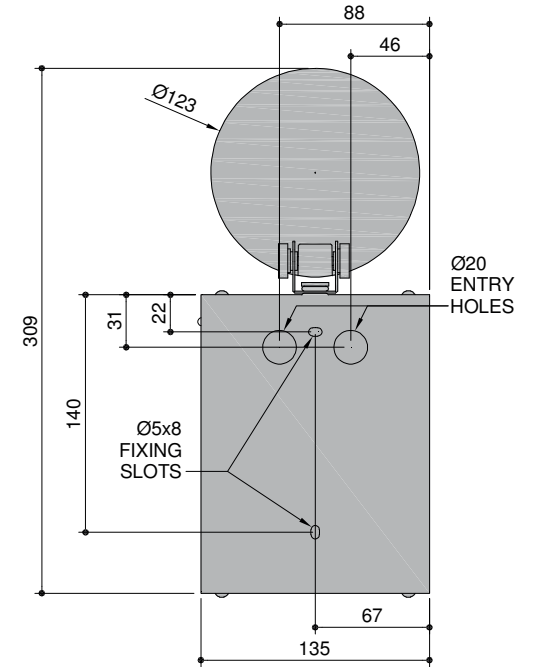
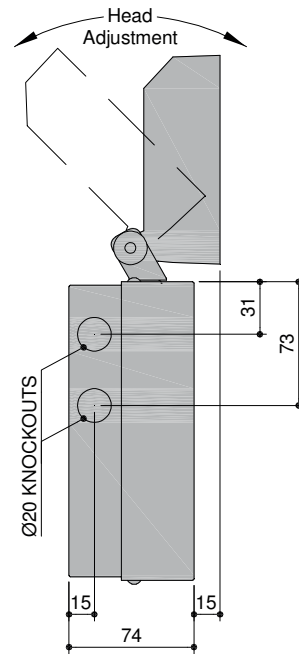
UNI



- IP40
- 2W
- 5 YEAR WARRANTY
- 1.5 KG
- 230v
- DALI
- Emergency (running person icon)
- NM/MM



- EN 60598-1
- EN60598-2-22
- EN55015
- EN61547
- EN61000-3-2



EXAMPLE PRODUCT CODE		AVUN	293	LM	W
FAMILY	UNI	AVUN			
BEAM ANGLE	29°	293			
	63°	633			
CONTROL GEAR	MAINS/CENTRAL BATTERY*	LA			
	MAINS/CENTRAL BATTERY DALI*	DA			
	NON MAINTAINED SELF-CONTAINED	LN			
	NON MAINTAINED AUTOTEST	YS			
	NON MAINTAINED DALI	DS			
	NON MAINTAINED SPECTO-XT	XT			
COLOUR	GREY	G			
	BLACK	K			
	PENNY BRONZE	V			
	WHITE	W			

For more information on colours, please go to the **Finishes Page**.

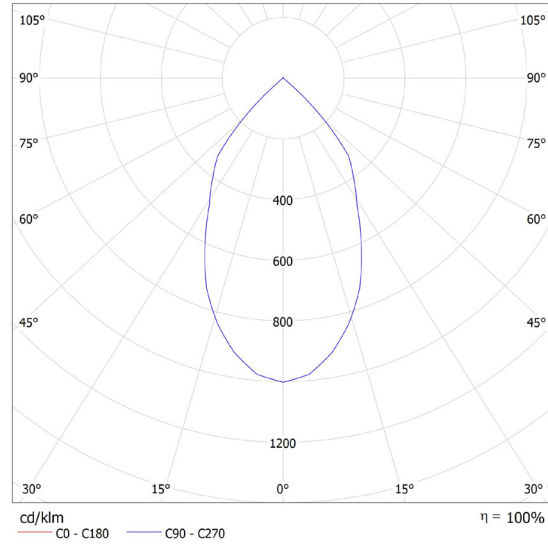
*For input voltages please refer to our installation leaflets.

- IP40** **2W**
- 5** WARRANTY **KG** 1.5
- 230v** **DALI**
- NM/MM**



- EN 60598-1
- EN60598-2-22
- EN55015
- EN61547
- EN61000-3-2

AVUN633



AVUN293

