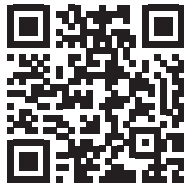


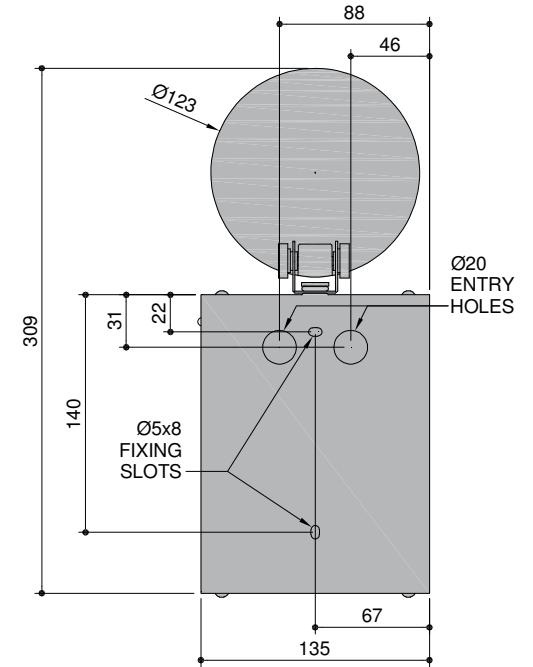
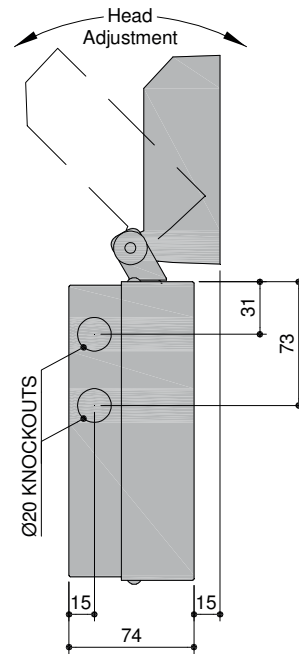
# UNI



- IP40
- 2W
- 6 YEAR WARRANTY
- 1.5 KG
- 230v
- DALI
- Emergency Light Icon
- NM



- EN 60598-1
- EN60598-2-22
- EN55015
- EN61547
- EN61000-3-2



EXAMPLE PRODUCT CODE		AVUN	293	LN	W
<b>FAMILY</b>	UNI	AVUN			
<b>BEAM ANGLE</b>	29°	293			
	63°	633			
<b>CONTROL GEAR</b>	MAINS/CENTRAL BATTERY*	LA			
	MAINS/CENTRAL BATTERY DALI*	DA			
	NON MAINTAINED SELF-CONTAINED	LN			
	NON MAINTAINED AUTOTEST	YS			
	NON MAINTAINED DALI	DS			
	NON MAINTAINED SPECTO-XT	XT			
<b>COLOUR</b>	GREY	G			
	BLACK	K			
	PENNY BRONZE	V			
	WHITE	W			

For more information on colours, please go to the **Finishes Page**.

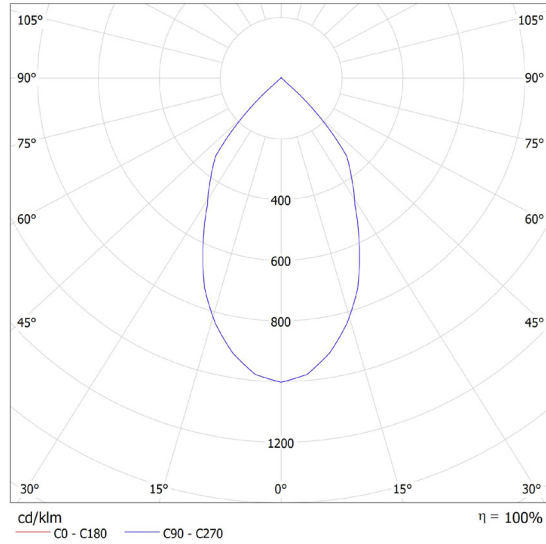
\*For input voltages please refer to our installation leaflets.

- IP40 2W
- 6 WARRANTY 1.5 KG
- 230v DALI
- NM

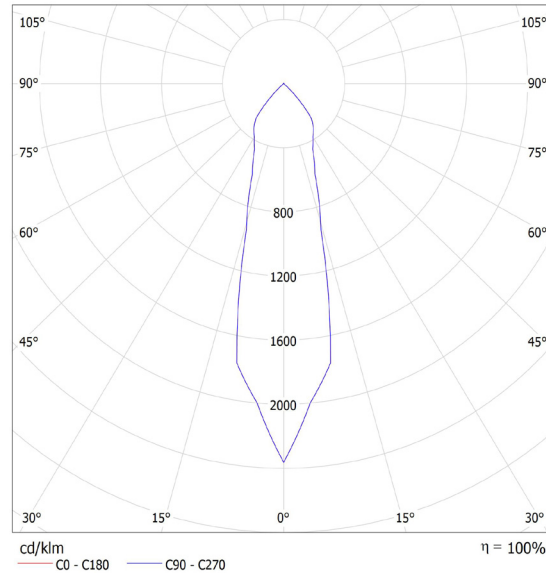


- EN 60598-1
- EN60598-2-22
- EN55015
- EN61547
- EN61000-3-2

### AVUN633



### AVUN293



### REMOTE HEAD OPTION

