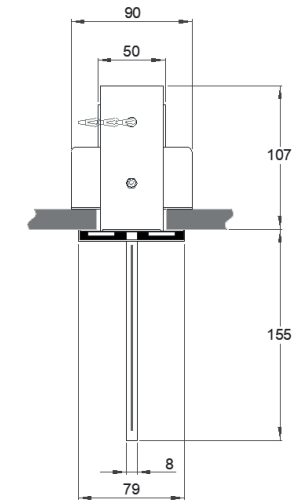
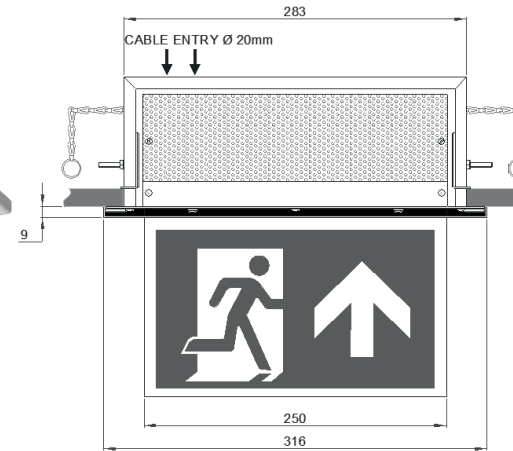


250FC



- IP20
- IK07
- 26m
- 1.5 KG
- 230v
- DALI
- M
- 4W
- 5 YEAR WARRANTY



EXAMPLE PRODUCT CODE		250	FC	LM	W
FAMILY	ARCHITECTURAL	250			
PRODUCT	FLUSH CEILING	FC			
CONTROL GEAR	MAINS/CENTRAL BATTERY*	LA			
	MAINS/CENTRAL BATTERY DALI*	DA			
	MAINTAINED SELF-CONTAINED	LM			
	MAINTAINED AUTOTEST	YL			
	MAINTAINED DALI	DL			
	MAINTAINED SPECTO-XT	XT			
COLOUR	POLISHED BRASS	B			
	POLISHED CHROME	C			
	BMA	D			
	GREY	G			
	BLACK	K			
	SATIN CHROME	R			
	PENNY BRONZE	V			
	WHITE	W			

For more information on colours, please go to the **Finishes Page**. For more information on Legends, please go to the **Legends Page**.
 *For input voltages please refer to our installation leaflets.