

# PHILIP PAYNE | MF100

**SpectroXT** To specify a wireless product variant for use with Philip Payne SpectroXT Emergency Lighting System from this range simply replace gear suffix code with XT.



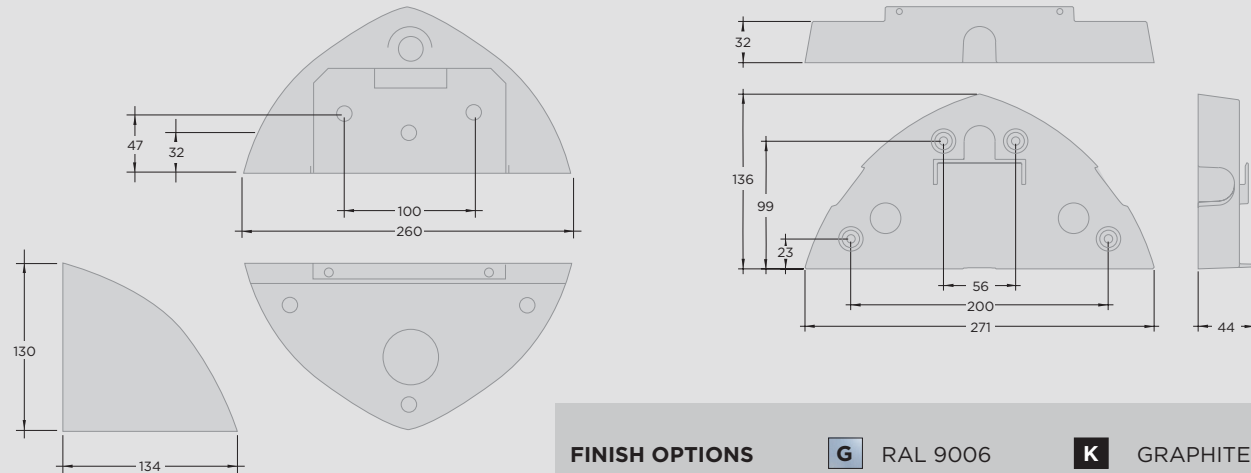
	<b>DALI</b>
	<b>SELF TEST</b>

- EN60598-1
- EN60598-2-22
- EN55015
- EN61547
- EN61000-3-2
- Aluminium



	3 Watts	6 Watts	13 Watts
Supply Voltage	220-240v50/60Hz	220-240v50/60Hz	220-240v50/60Hz
Lumen Output Mains	105	485	522
Lumen Output Emergency	160	190	
Mains/Central Battery	MF100 O3LA	MF100 O6LA	MF100 13LA
3hr Self Contained Non-Maintained	MF100 O3LN	MF100 O6LN	-
3hr Self Contained Maintained	MF100 O3LM	MF100 O6LM	-
3hr Self Contained Non-Maintained:Self Test	MF100 O3YS	MF100 O6YS	-
3hr Self Contained Maintained:Self Test	MF100 O3YL	MF100 O6YL	-
3hr Self Contained Non-Maintained:DALi	MF100 O3DS	MF100 O6DS	-
3hr Self Contained Maintained:DALi	MF100 O3DL	MF100 O6DL*	-
Wall Mounting kit	MF100WBK	MF100WBK	MF100WBK

\*Mains mode is not switchable via DALi command on 6W self-contained luminaires. DALi is for controlled testing and monitoring only. Please contact technical for more information.



**FINISH OPTIONS**

**G** RAL 9006      **K** GRAPHITE

Products should be suffixed with appropriate code. For example: **MF100 O6LNK** for Graphite finished product.