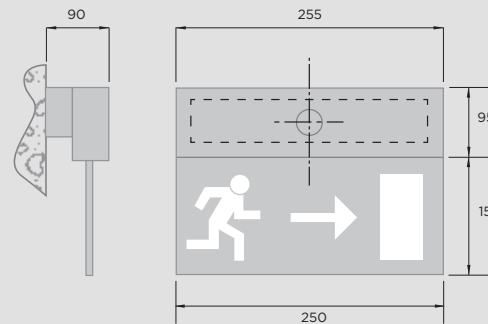




# 250DW | ARCHITECTURAL RANGE

<b>MM</b> 	<b>NM</b> 
	<b>DALI</b>
	<b>SELF TEST</b>
	<b>20</b>
	<b>1.5 KG</b>
<b>EN60598-1</b>	
<b>EN60598-2-22</b>	
<b>EN55015</b>	
<b>EN61547</b>	
<b>EN61000-3-2</b>	
<b>STEEL</b>	



To specify a wireless product variant for use with Philip Payne SpectroXT Emergency Lighting System from this range simply replace gear suffix code with XT.

### Specification

<b>Voltage</b>	<b>230v</b>
<b>IP</b>	<b>20</b>
<b>Weight</b>	<b>1.5kg</b>
<b>Gear Options</b>	<b>230v central Supply</b> <b>3hr Non-Maintained</b> <b>3hr Maintained</b> <b>3hr Self Test</b> <b>3hr DALi</b>

### PART NUMBERS

250DWLA	230v AC/DC	Central Supply
250DWLE	♥ 230v AC	Central Supply
250DWDA	♥ 230v AC/DC	Central Supply DALi
250DWLM	♥ 3hr Self Contained	Maintained/Non-Maintained
250DWYL	♥ 3hr Self Contained	Self Test
250DWDL	♥ 3hr Self Contained	DALi

### FINISH OPTIONS

<b>R</b> Satin Chrome	<b>W</b> RAL 9010
<b>C</b> Polished Chrome	<b>G</b> RAL 9006
<b>B</b> Polished Brass	<b>K</b> RAL 9005
<b>D</b> BMA	<b>V</b> Penny Bronze

Products should be suffixed with appropriate code. For example: **250DWDLV** for penny bronze finished product.