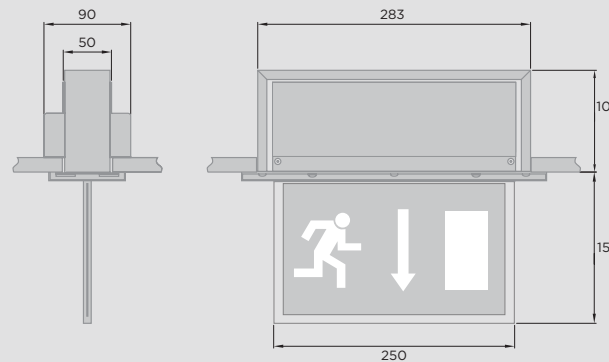


ARCHITECTURAL RANGE | 250FC



CE	F
MM	NM
LED	DALI
SELF TEST	
20/30m	20
CDA	1.5 KG
EN60598-1	
EN60598-2-22	
EN55015	
EN61547	
EN61000-3-2	
STEEL	



SpectoXT
To specify a wireless product variant for use with Philip Payne SpectoXT Emergency Lighting System from this range simply replace gear suffix code with XT.

Specification

Voltage	230v
IP	20
Weight	1.5kg
Gear Options	230v central Supply 3hr Non-Maintained 3hr Maintained 3hr Self Test 3hr DALi

PART NUMBERS

250FCLA	230v AC/DC	Central Supply
250FCLE	230v AC	Central Supply
250FCDA	230v AC/DC	Central Supply DALi
250FCLM	3hr Self Contained	Maintained/Non-Maintained
250FCYL	3hr Self Contained	Self Test
250FCDL	3hr Self Contained	DALi

FINISH OPTIONS

R Satin Chrome	W RAL 9010
C Polished Chrome	G RAL 9006
B Polished Brass	K RAL 9005
D BMA	V Penny Bronze

Products should be suffixed with appropriate code. For example: **250FCDLV** for penny bronze finished product.