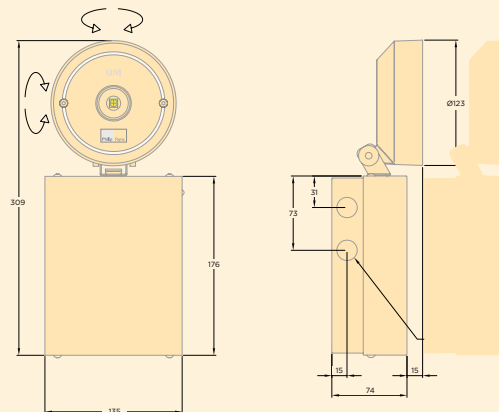
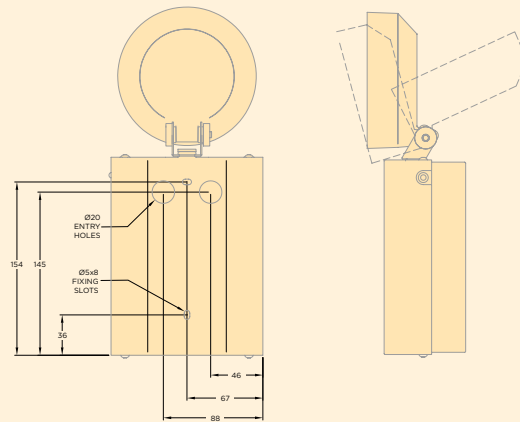


CE	F
LED	NM
SELF TEST	DALI
40	1.5 KG
EN60598-1	
EN60598-2-22	
EN55015	
EN61547	
EN61000-3-2	
STEEL/Aluminium	



Specification

Supply Voltage	220-240V, 50-60Hz
IP	40
Weight	1.5kg
Beam Angle	29° or 63°
Luminous Flux 29°	258 Lumens
Luminous flux 63°	258 Lumens
Emergency Lighting Factor	100%
LED Watts	2 Watts
LED Drive Current	350mA

PART NUMBERS

		29° VERSION
AVUN293LN	3hr	Non-Maintained
AVUN293LA	3hr	Mains/ Central Battery
AVUN293DS	3hr	Non-Maintained DALI

PART NUMBERS

		63° VERSION
AVUN633LN	3hr	Non-Maintained
AVUN633LA	3hr	Mains/Central Battery
AVUN633DS	3hr	Non-Maintained DALI

FINISH OPTIONS

W RAL 9010	K RAL 9005
G RAL 9006	V Penny Bronze

Products should be suffixed with the appropriate finish code.
AVUN293LNG for grey finished product.